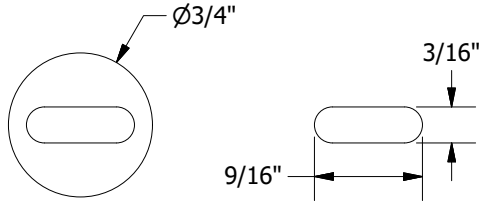
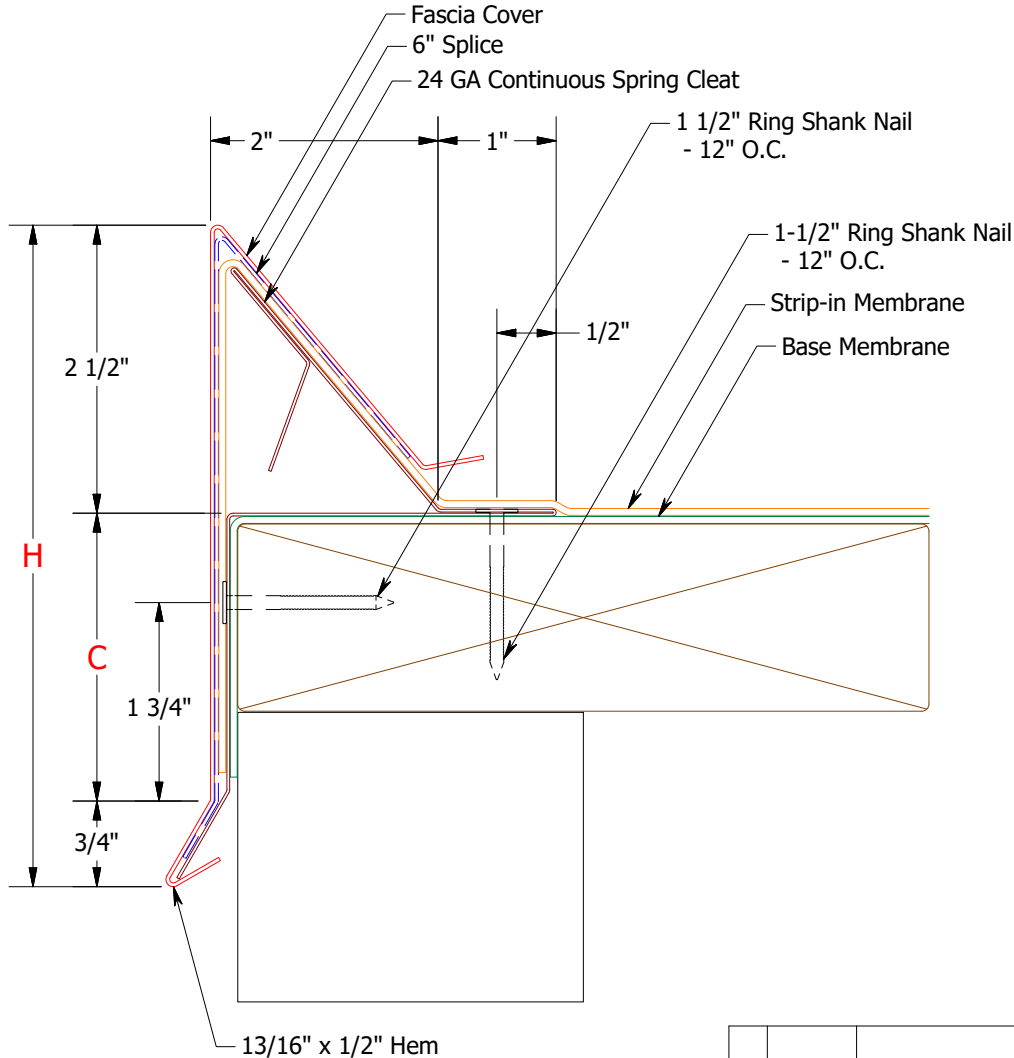
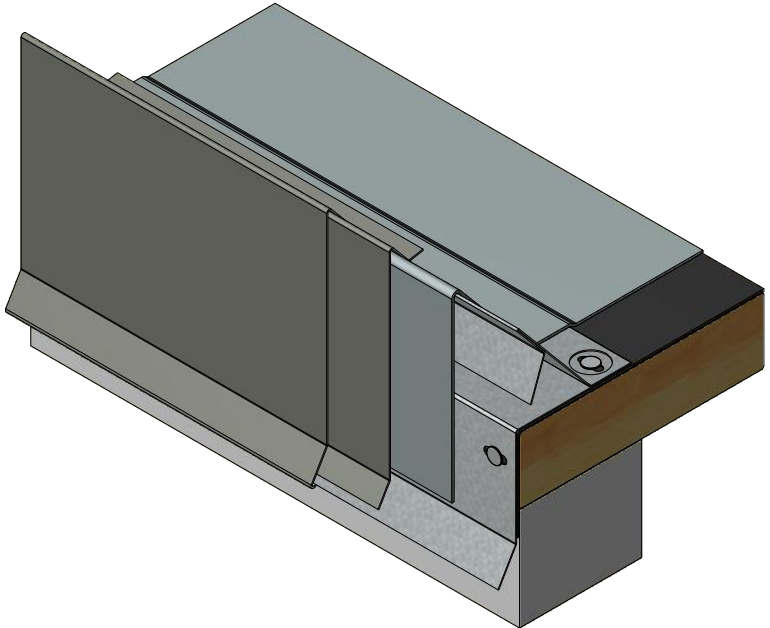


BOM per 12'		Standard Materials		Dimensions	
Component	Quantity	Material	Available Gauges	Coverage (C)	Height (H)
Fascia Cover	1	Pre-Finished Steel	24 ga, 22 ga	2-1/2"	5-3/4"
6" Splice	1	Stainless Steel	24 ga, 22 ga	4"	7-1/4"
Continuous 24 GA Spring Cleat	1	Pre-Finished Alum	.040, .050, .063	5-1/2"	8-3/4"
1 1/2" Ring Shank Nail	24	Mill Alum	.040, .050, .063	7"	10-1/4"
				8-1/2"	11-3/4"



Top Face Slotting Side Face Slotting

Tested per ANSI/SPRI ES-1

	ATAS INTERNATIONAL, INC Allentown PA 610-395-8445 Mesa AZ 480-558-7210	
	TITLE	
	Edge Lok 2 Fascia Product Detail	
	DWG. NO.	DR
	PJR	08-06-15
MATERIAL	APP	DATE
	SH. SIZE	A
	SCALE	X:X

REV. NO.	DATE	DESCRIPTION OF REVISION	BY	APP
01	1/13/2025	Updated Spring and Splice Profile	KRK	