
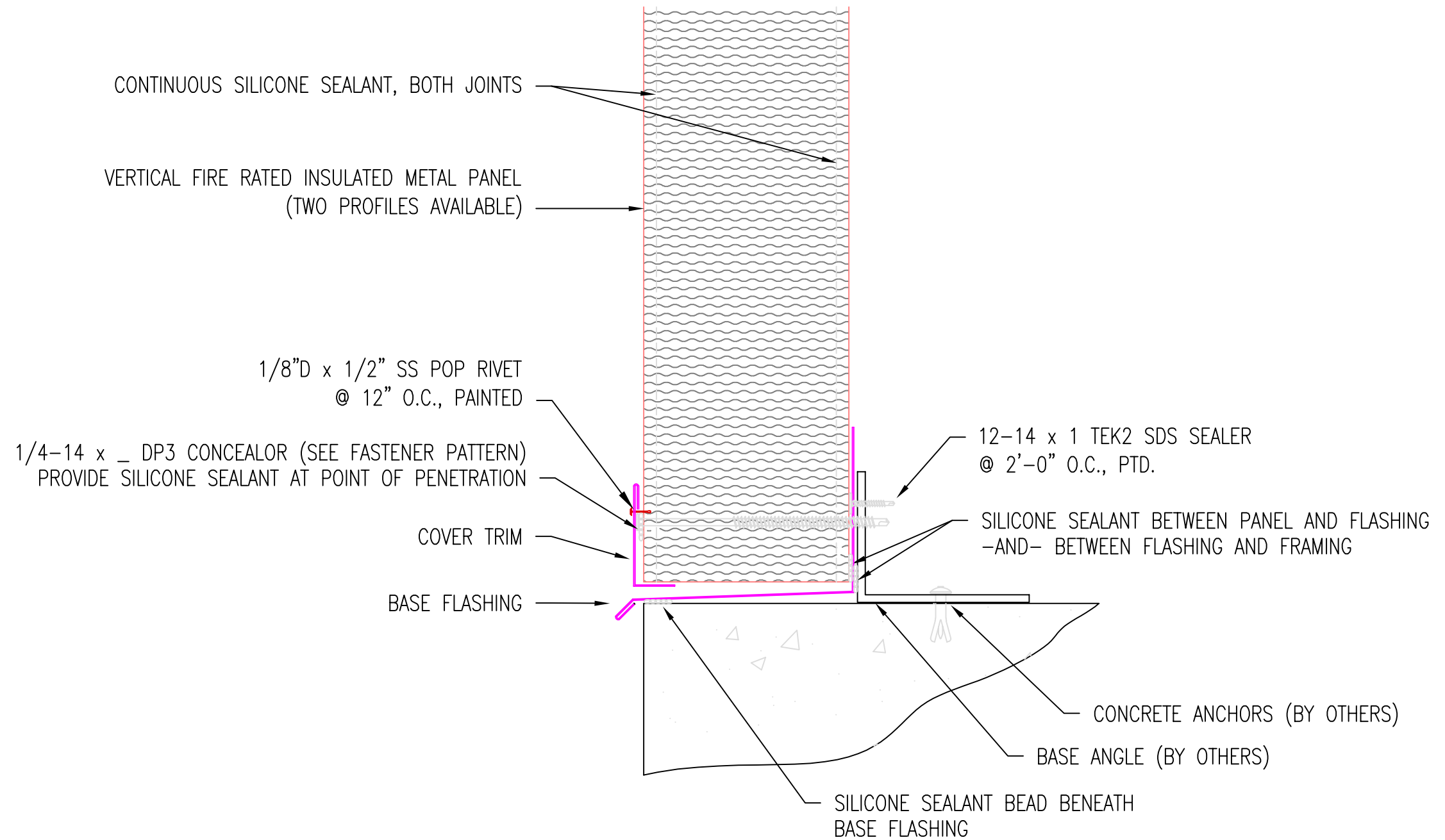


\*\* THE DETAIL SHOWN IS SUBJECT TO CHANGE WITHOUT NOTICE.

REV. NO.	DATE	DESCRIPTION OF REVISION	BY	APP

 <b>ATAS INTERNATIONAL, INC</b> Allentown PA 610-395-8445 Mesa AZ 480-558-7210		TITLE	
		Fire Rated Wall-Base (alternate)	
DWG. NO.		DR	DATE
MATERIAL		APP	DATE
SH. SIZE	SCALE	X:X	



\*\* THE DETAIL SHOWN IS SUBJECT TO CHANGE WITHOUT NOTICE.

REV. NO.	DATE	DESCRIPTION OF REVISION	BY	APP


**ATAS INTERNATIONAL, INC**  
 Allentown PA  
 610-395-8445  
 Mesa AZ  
 480-558-7210

TITLE			
Fire Rated Wall-Base			
DWG. NO.	DR	DATE	
MATERIAL	APP	DATE	
SH. SIZE	SCALE	X:X	

VERTICAL FIRE RATED INSULATED METAL PANEL  
(TWO PROFILES AVAILABLE)

1/4-14 X \_ SDS TEK\_ W/WASHER  
(SEE FASTENER PATTERN)

NOTE:  
CUT LINER SKIN BEHIND GIRT  
TO REDUCE STRESS CAUSED BY  
TEMPERATURE DIFFERENTIAL  
(AS REQUIRED)

ZEE GIRT (BY OTHERS)

CONTINUOUS SILICONE SEALANT, BOTH JOINTS

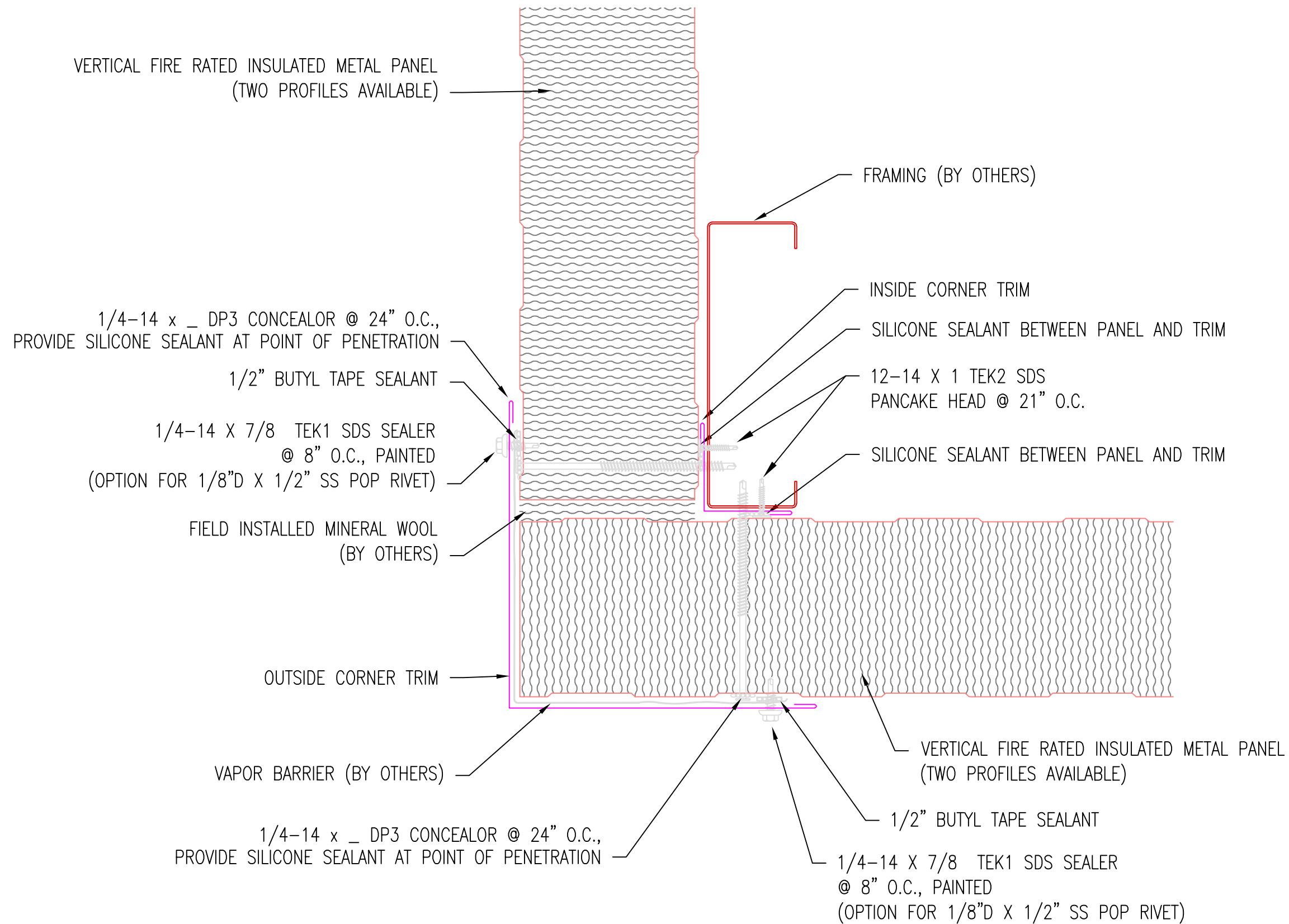
\*\* THE DETAIL SHOWN IS SUBJECT TO CHANGE WITHOUT NOTICE.



ATAS INTERNATIONAL, INC  
Allentown PA  
610-395-8445  
Mesa AZ  
480-558-7210

TITLE					Fire Rated Wall-Connection	
DWG. NO.			DR	DATE		
MATERIAL			APP	DATE		
REV. NO.	DATE	DESCRIPTION OF REVISION	BY	APP	SH. SIZE	SCALE X:X

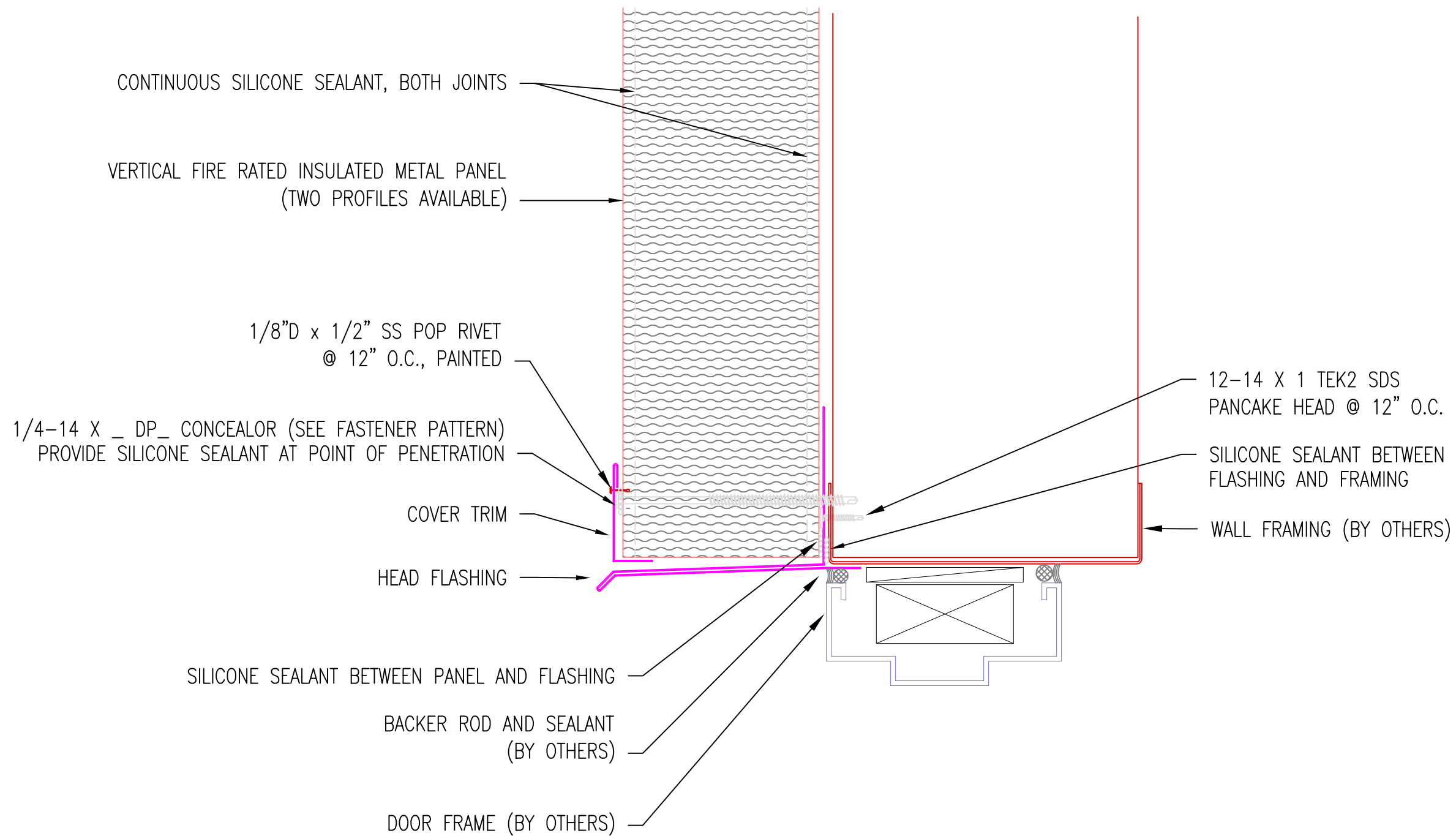
NOTE: FIELD CUT STARTING PANEL AND ENDING PANEL AS REQUIRED AT CORNER TRANSITION.



\*\* THE DETAIL SHOWN IS SUBJECT TO CHANGE WITHOUT NOTICE.

**ATAS** ATAS INTERNATIONAL, INC  
 Allentown PA  
 610-395-8445  
 Mesa AZ  
 480-558-7210

TITLE					Fire Rated Wall-Corner	
DWG. NO.			DR	DATE		
MATERIAL			APP	DATE		
REV. NO.	DATE	DESCRIPTION OF REVISION	BY	APP	SH. SIZE	SCALE X:X



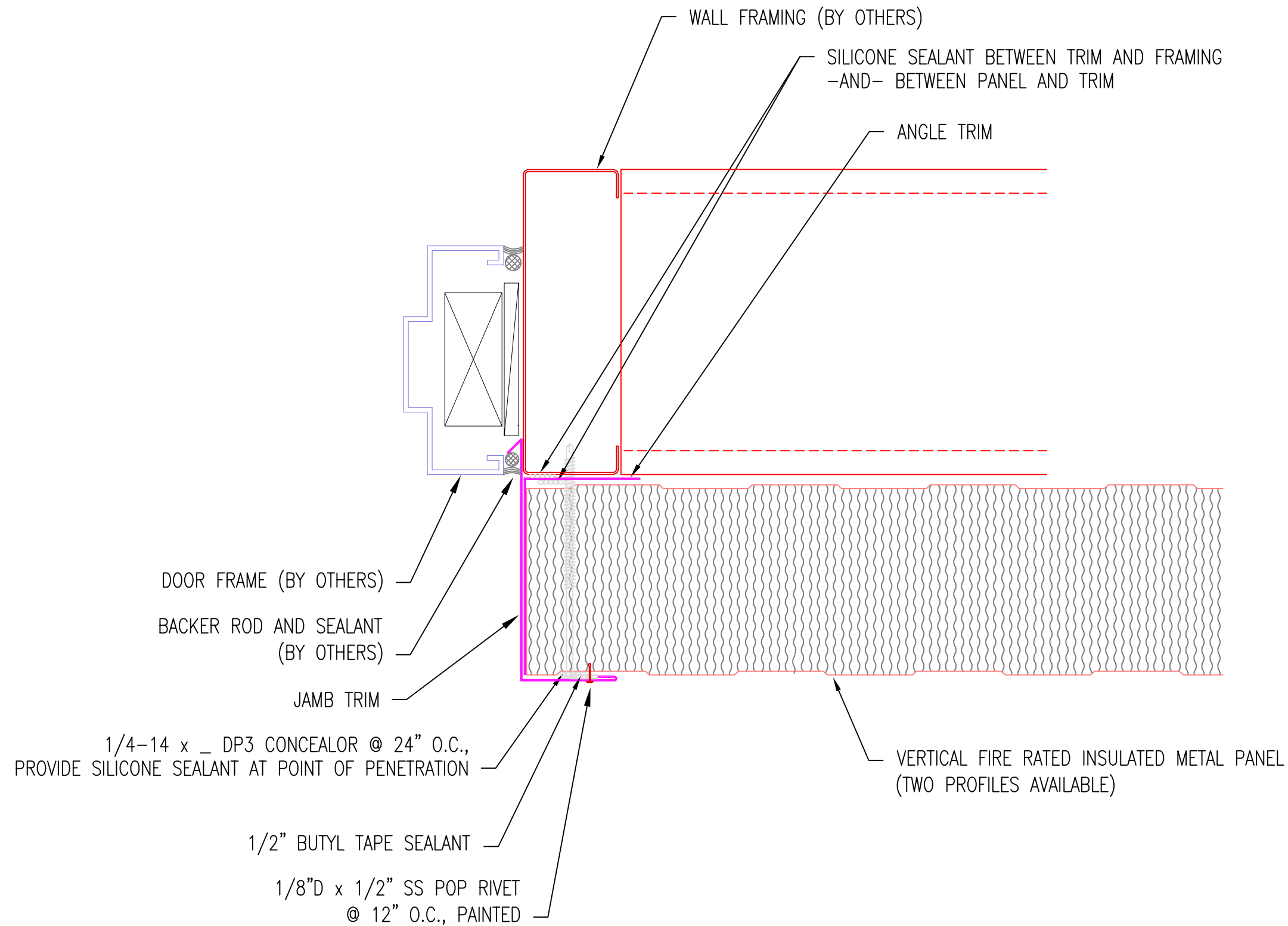
\*\* THE DETAIL SHOWN IS SUBJECT TO CHANGE WITHOUT NOTICE.



ATAS INTERNATIONAL, INC  
Allentown PA  
610-395-8445  
Mesa AZ  
480-558-7210

TITLE		Fire Rated Wall-Door Head	
DWG. NO.	DR	DATE	
MATERIAL	APP	DATE	
SH. SIZE	SCALE	X:X	

REV. NO.	DATE	DESCRIPTION OF REVISION	BY	APP



\*\* THE DETAIL SHOWN IS SUBJECT TO CHANGE WITHOUT NOTICE.

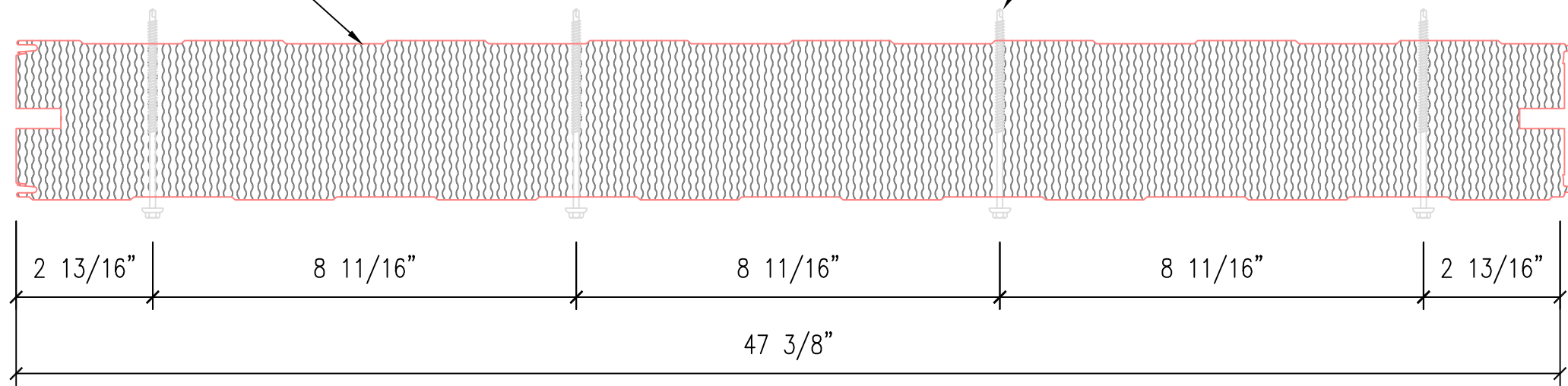

**ATAS INTERNATIONAL, INC**  
 Allentown PA  
 610-395-8445  
 Mesa AZ  
 480-558-7210

TITLE		Fire Rated Wall-Door Jamb	
DWG. NO.	DR	DATE	
MATERIAL	APP	DATE	
SH. SIZE	SCALE	X:X	

REV. NO.	DATE	DESCRIPTION OF REVISION	BY	APP

VERTICAL FIRE RATED INSULATED METAL PANEL  
(TWO PROFILES AVAILABLE)

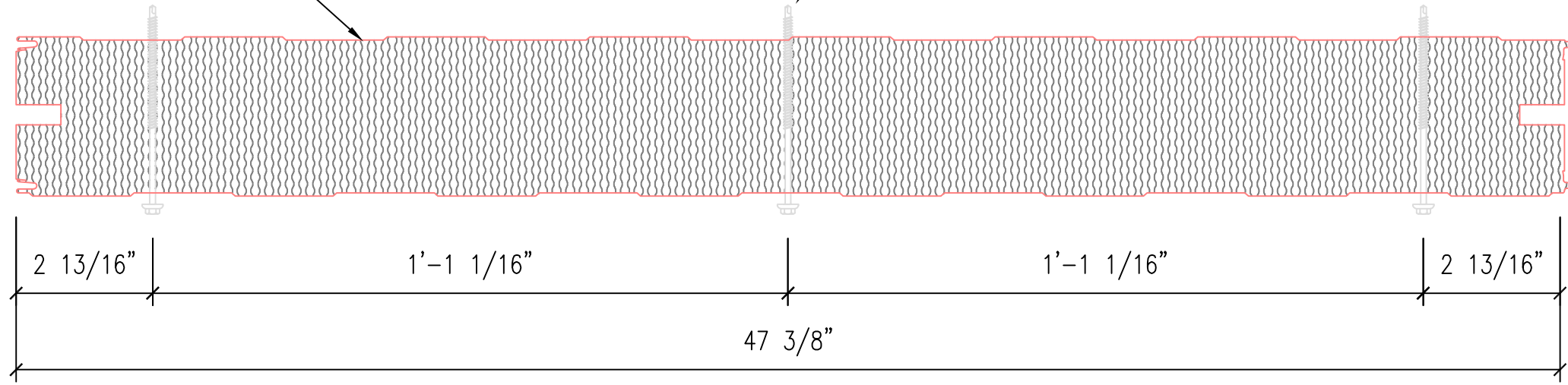
1/4-14 X \_ SDS TEK\_ W/WASHER  
(SEE FASTENER PATTERN)



FASTENER PATTERN 1 (AT PANEL ENDS)

VERTICAL FIRE RATED INSULATED METAL PANEL  
(TWO PROFILES AVAILABLE)

1/4-14 X \_ SDS TEK\_ W/WASHER  
(SEE FASTENER PATTERN)

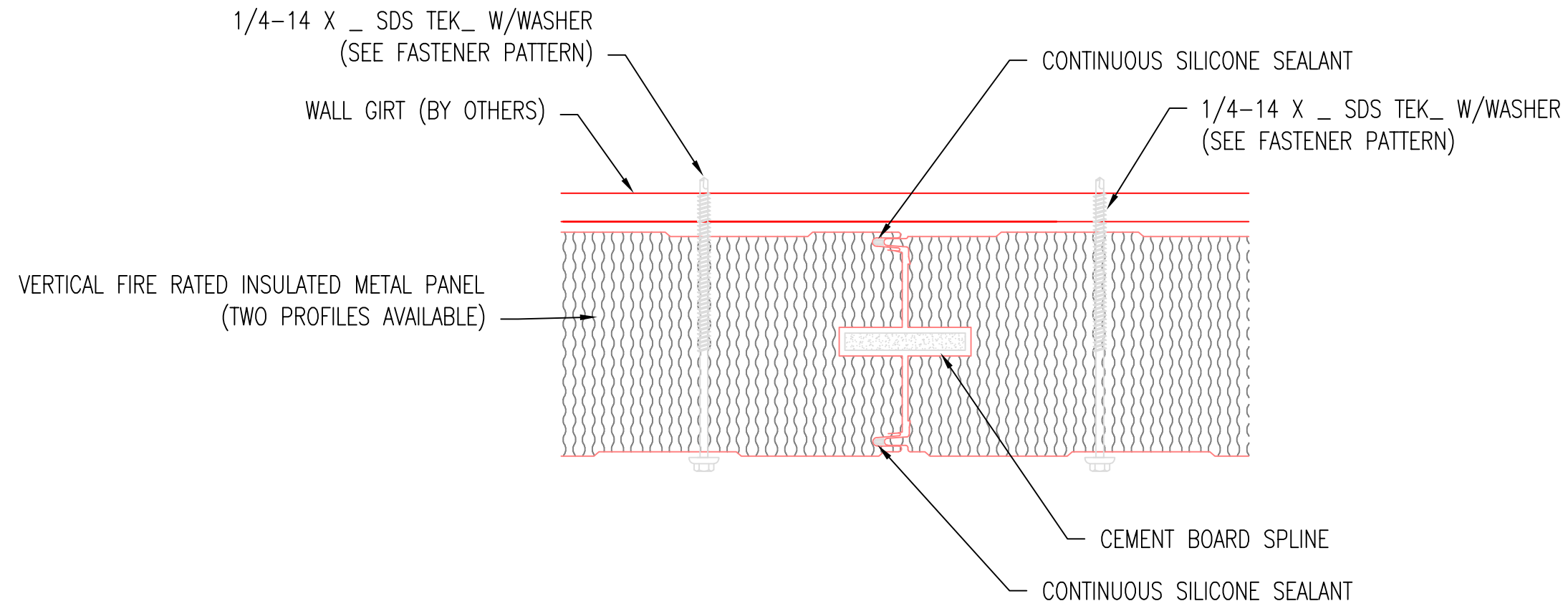


FASTENER PATTERN 2 (AT INTERMEDIATE SUPPORTS)

\*\* THE DETAIL SHOWN IS SUBJECT TO CHANGE WITHOUT NOTICE.

**ATAS** ATAS INTERNATIONAL, INC  
 Allentown PA  
 610-395-8445  
 Mesa AZ  
 480-558-7210

TITLE					Fire Rated Wall-Fastener Pattern	
DWG. NO.			DR	DATE		
MATERIAL			APP	DATE		
REV. NO.	DATE	DESCRIPTION OF REVISION	BY	APP	SH. SIZE	SCALE X:X

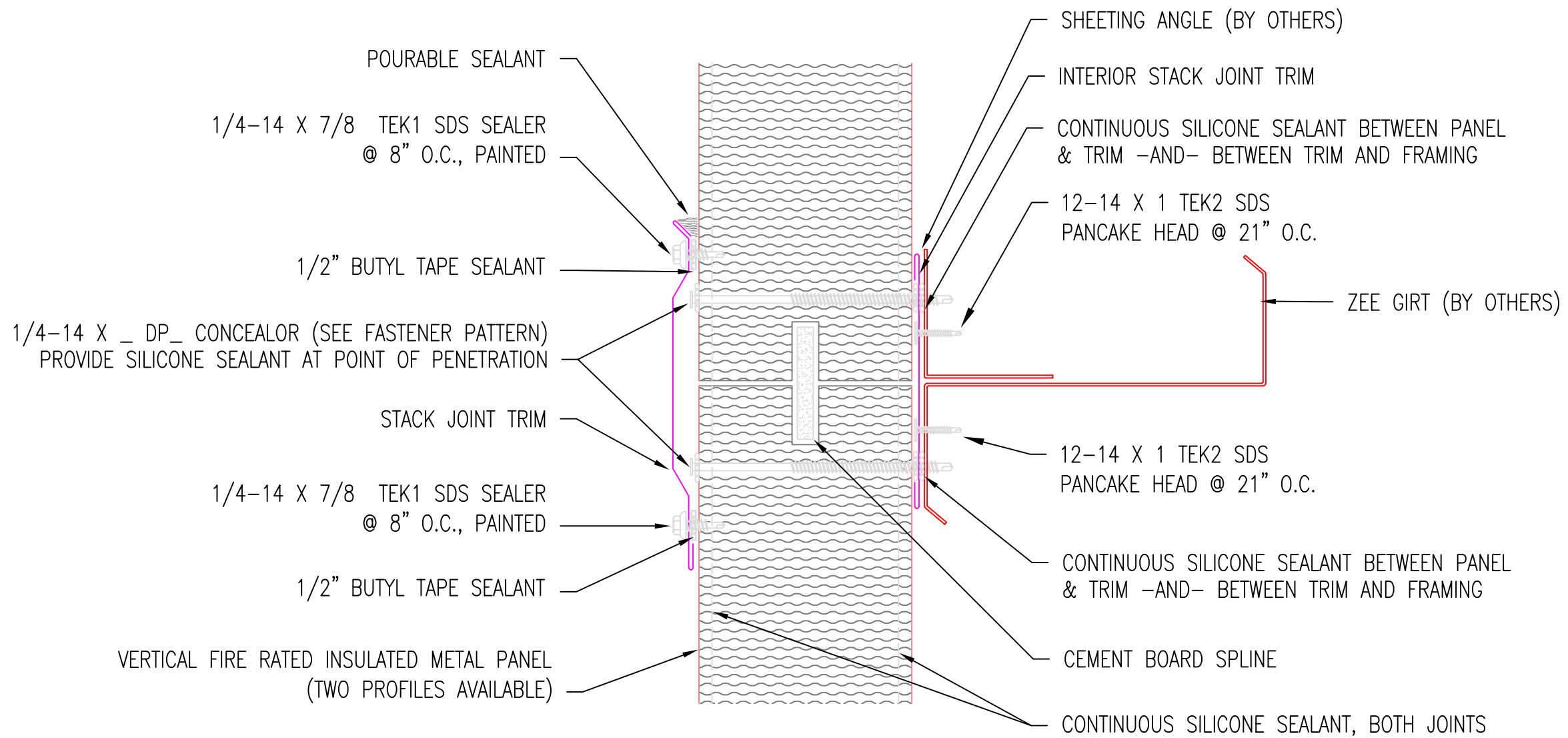


\*\* THE DETAIL SHOWN IS SUBJECT TO CHANGE WITHOUT NOTICE.



ATAS INTERNATIONAL, INC  
Allentown PA  
610-395-8445  
Mesa AZ  
480-558-7210

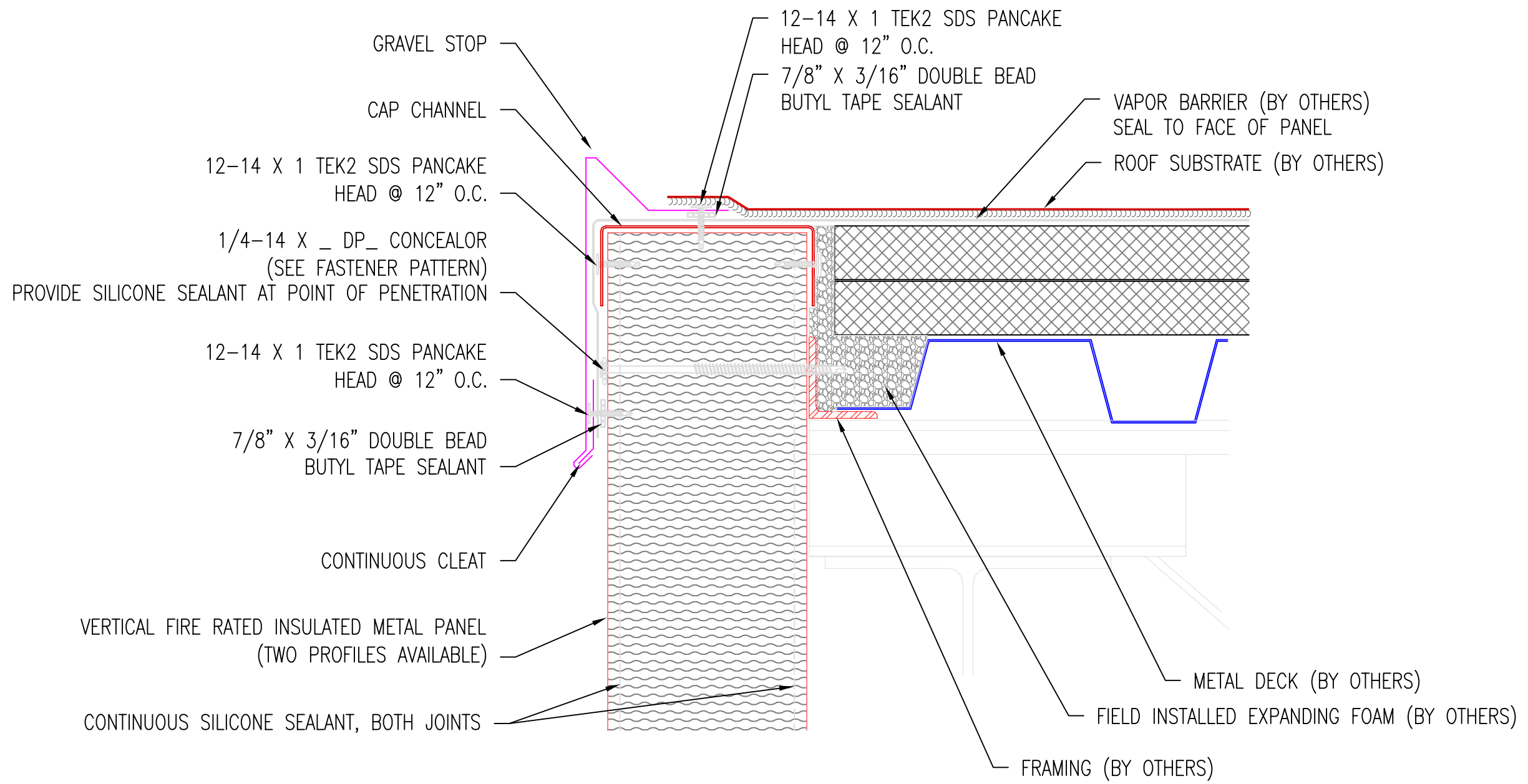
TITLE					Fire Rated Wall-Side Lap	
DWG. NO.			DR	DATE		
MATERIAL			APP	DATE		
REV. NO.	DATE	DESCRIPTION OF REVISION	BY	APP	SH. SIZE	SCALE X:X



\*\* THE DETAIL SHOWN IS SUBJECT TO CHANGE WITHOUT NOTICE.

**ATAS** INTERNATIONAL, INC  
 Allentown PA  
 610-395-8445  
 Mesa AZ  
 480-558-7210

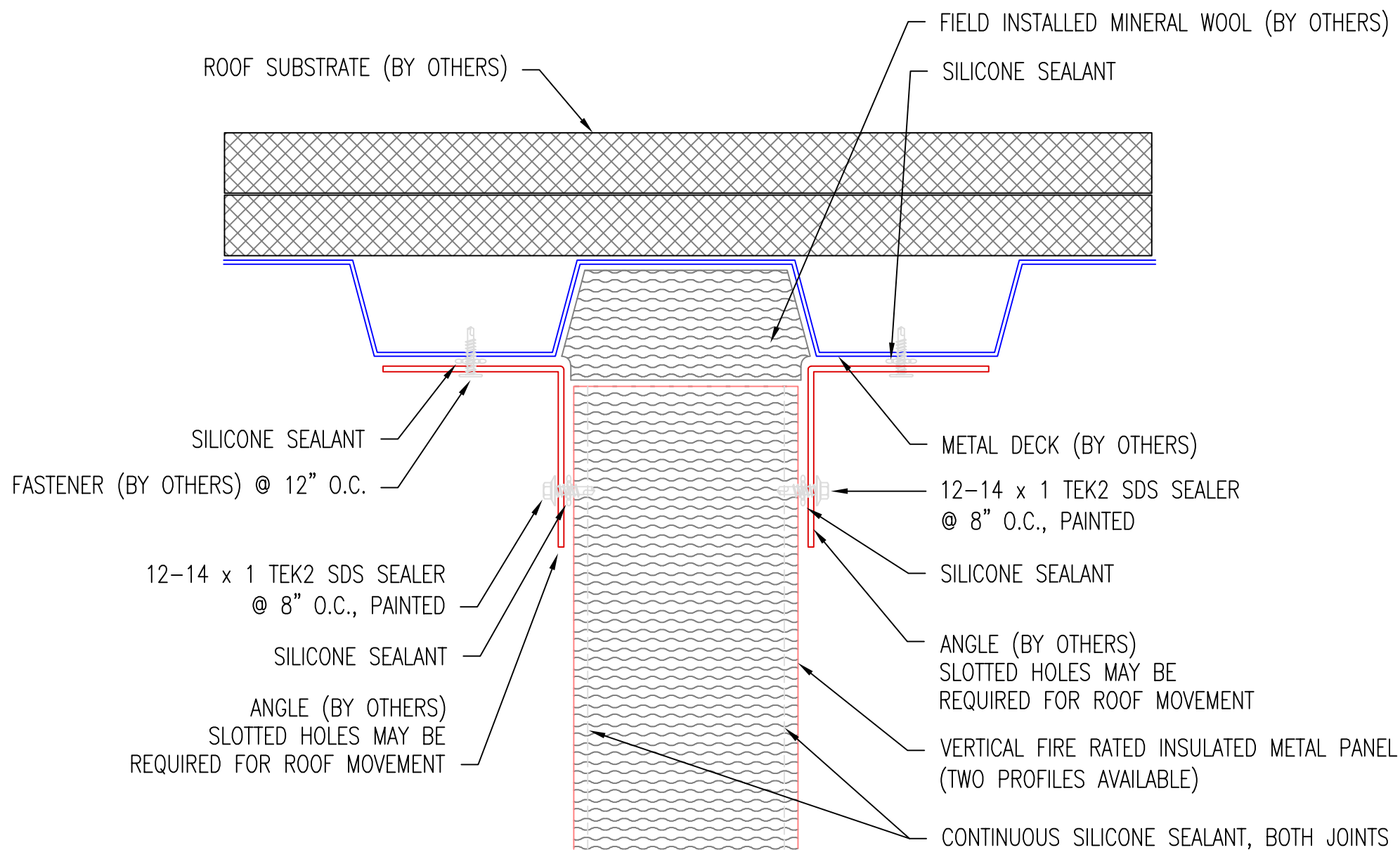
TITLE					Fire Rated Wall-Stack Joint	
DWG. NO.			DR	DATE		
MATERIAL			APP	DATE		
REV. NO.	DATE	DESCRIPTION OF REVISION	BY	APP	SH. SIZE	SCALE X:X




\*\* THE DETAIL SHOWN IS SUBJECT TO CHANGE WITHOUT NOTICE.

**ATAS** INTERNATIONAL, INC  
 Allentown PA  
 610-395-8445  
 Mesa AZ  
 480-558-7210

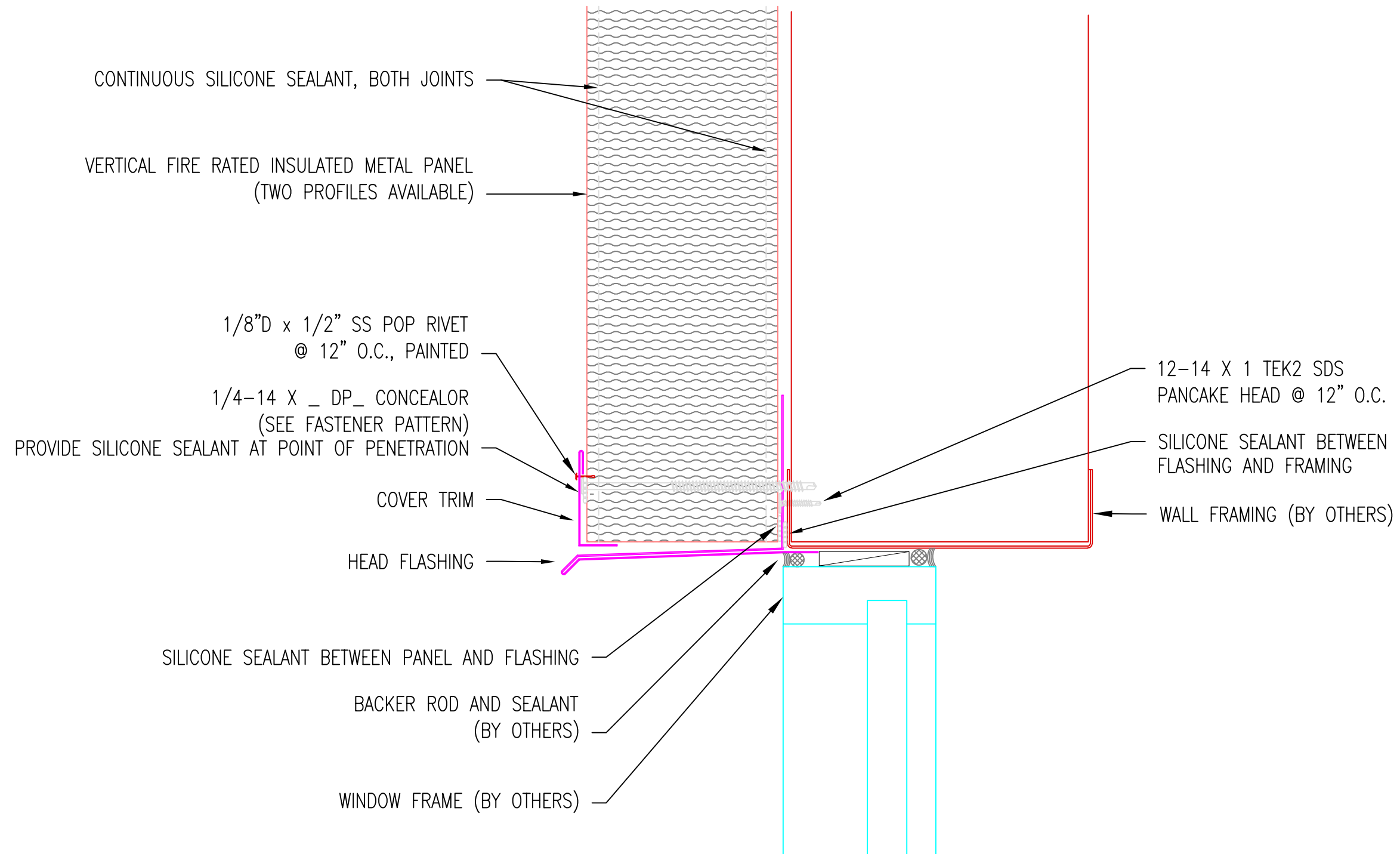
TITLE					Fire Rated Wall-Wall to Eave	
DWG. NO.			DR	DATE		
MATERIAL			APP	DATE		
REV. NO.	DATE	DESCRIPTION OF REVISION	BY	APP	SH. SIZE	SCALE X:X



\*\* THE DETAIL SHOWN IS SUBJECT TO CHANGE WITHOUT NOTICE.


**ATAS INTERNATIONAL, INC**  
 Allentown PA  
 610-395-8445  
 Mesa AZ  
 480-558-7210

TITLE					Fire Rated Wall-Wall to Roof	
DWG. NO.			DR	DATE		
MATERIAL			APP	DATE		
REV. NO.	DATE	DESCRIPTION OF REVISION	BY	APP	SH. SIZE	SCALE X:X

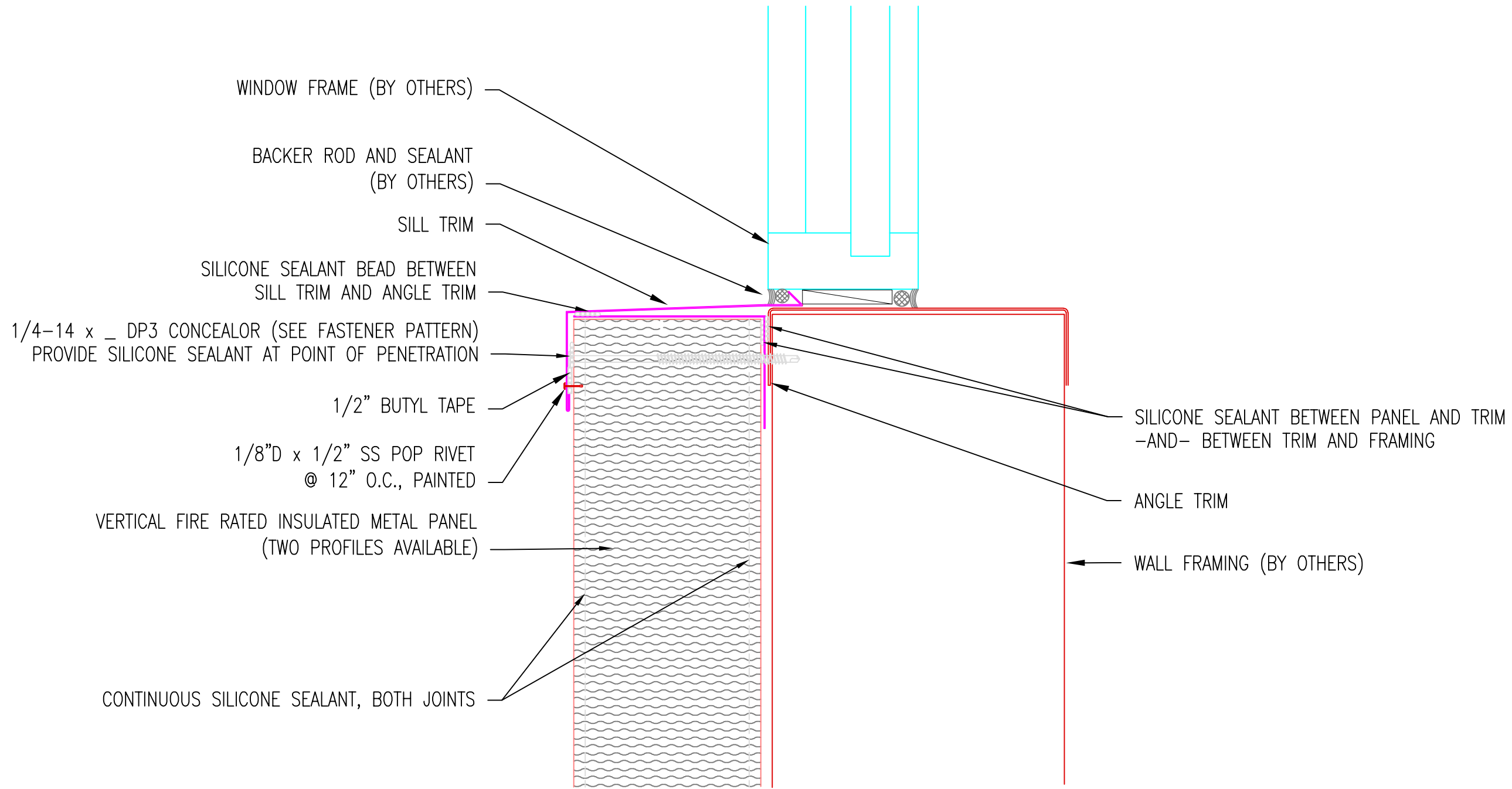


\*\* THE DETAIL SHOWN IS SUBJECT TO CHANGE WITHOUT NOTICE.


REV. NO.	DATE	DESCRIPTION OF REVISION	BY	APP

 <b>ATAS INTERNATIONAL, INC</b> Allentown PA 610-395-8445 Mesa AZ 480-558-7210		TITLE	
		Fire Rated Wall-Window Head	
DWG. NO.		DR	DATE
MATERIAL		APP	DATE
SH. SIZE		SCALE	X:X

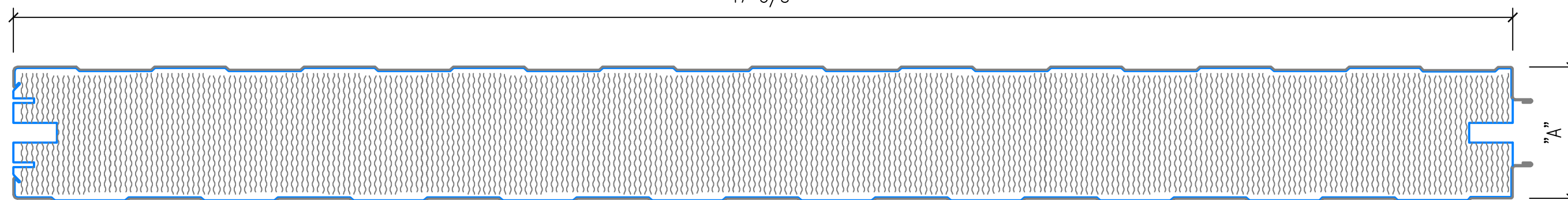
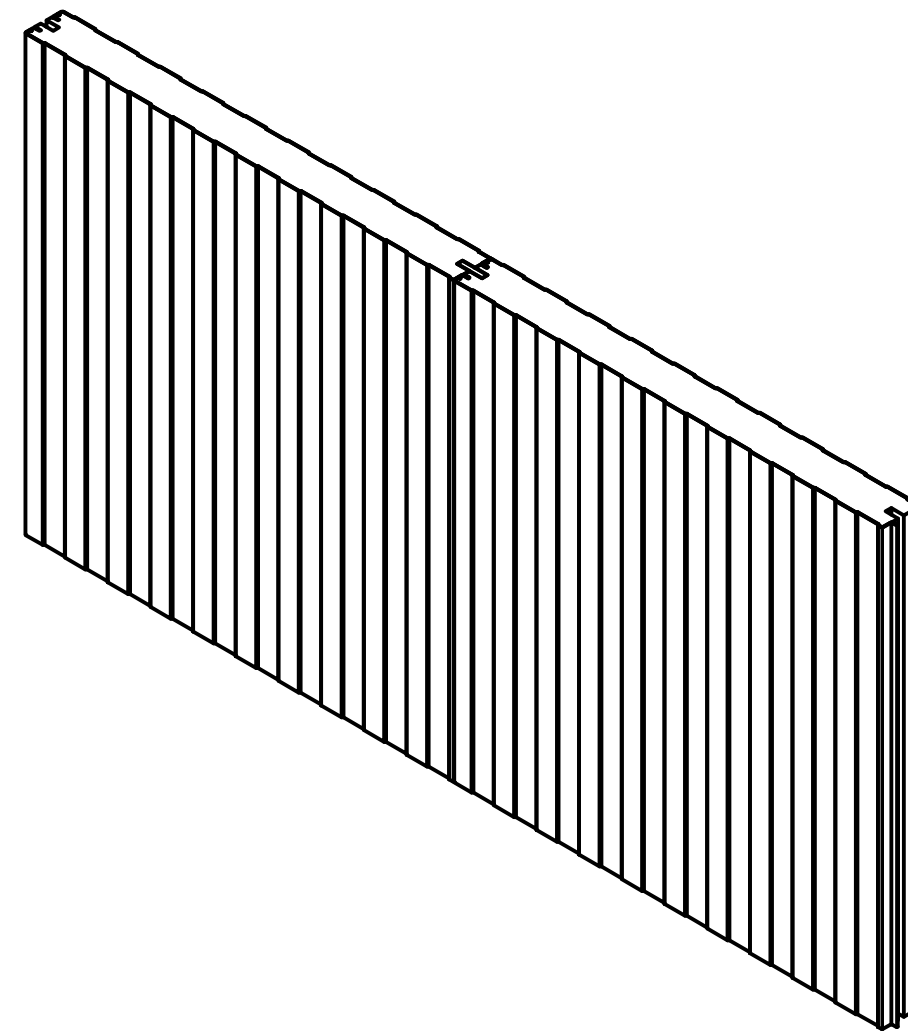
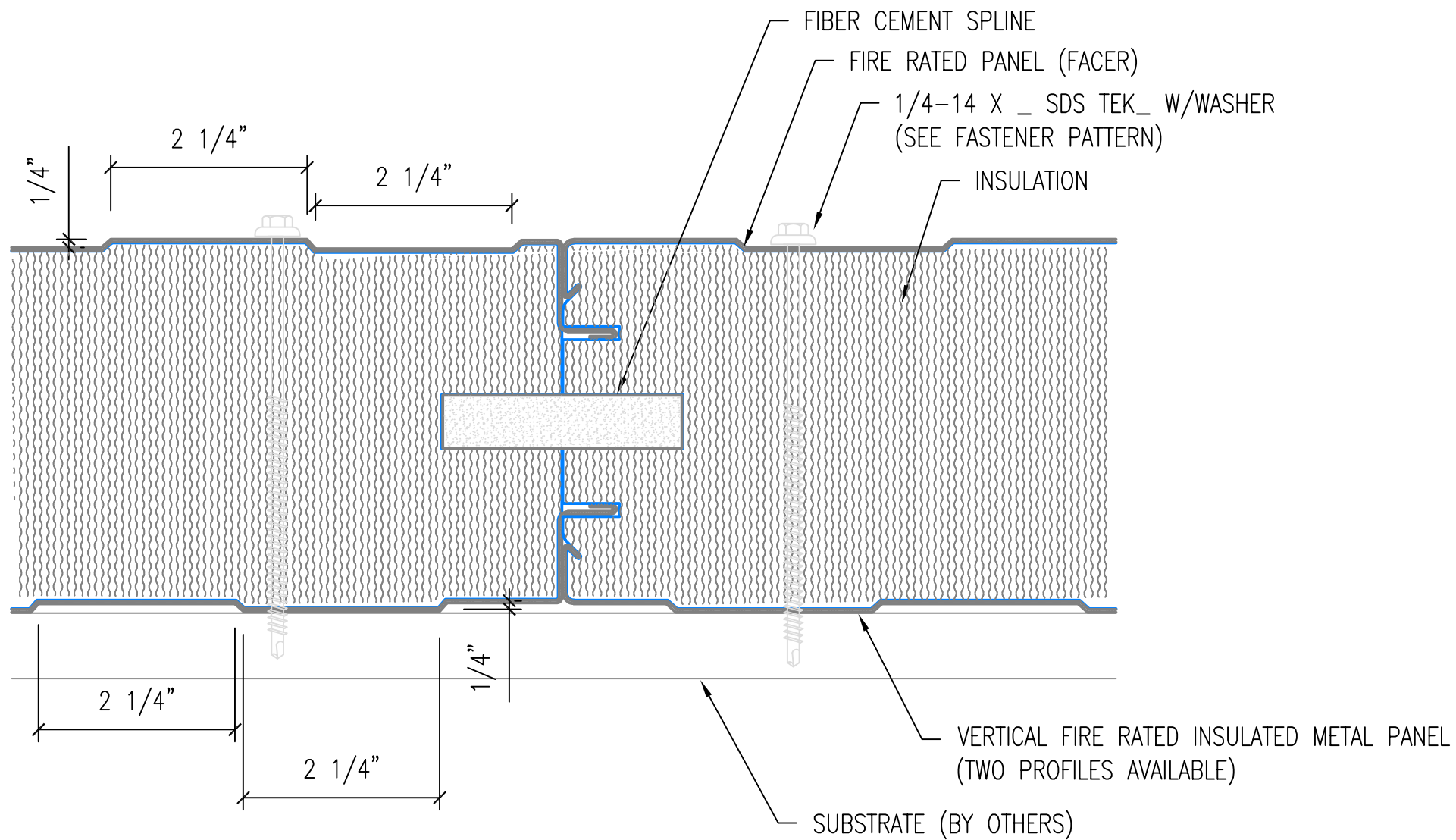





\*\* THE DETAIL SHOWN IS SUBJECT TO CHANGE WITHOUT NOTICE.


**ATAS INTERNATIONAL, INC**  
 Allentown PA  
 610-395-8445  
 Mesa AZ  
 480-558-7210

TITLE					Fire Rated Wall-Window Sill	
DWG. NO.			DR	DATE		
MATERIAL			APP	DATE		
REV. NO.	DATE	DESCRIPTION OF REVISION	BY	APP	SH. SIZE	SCALE X:X



\*\* THE DETAIL SHOWN IS SUBJECT TO CHANGE WITHOUT NOTICE.

 <b>ATAS INTERNATIONAL, INC</b> Allentown PA 610-395-8445 Mesa AZ 480-558-7210		TITLE			
		Fire Rated Wall-Panel Detail			
REV. NO.		DATE	DESCRIPTION OF REVISION	BY	APP
DWG. NO.		DR	DATE	MATERIAL	
SH. SIZE		APP	DATE	SCALE X:X	