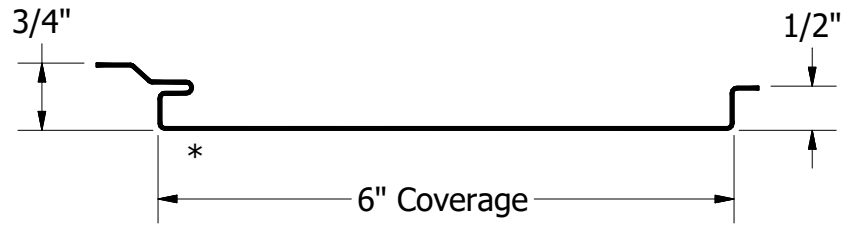
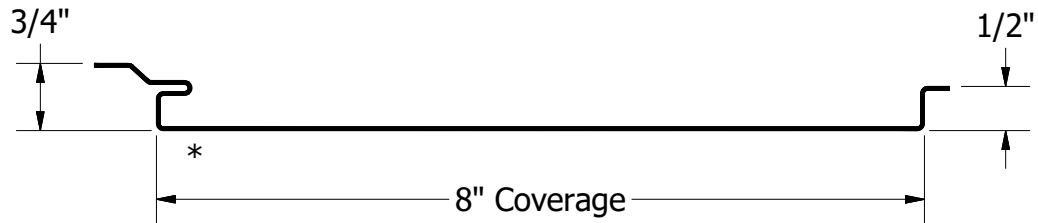


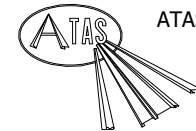
OPF040



OPF060



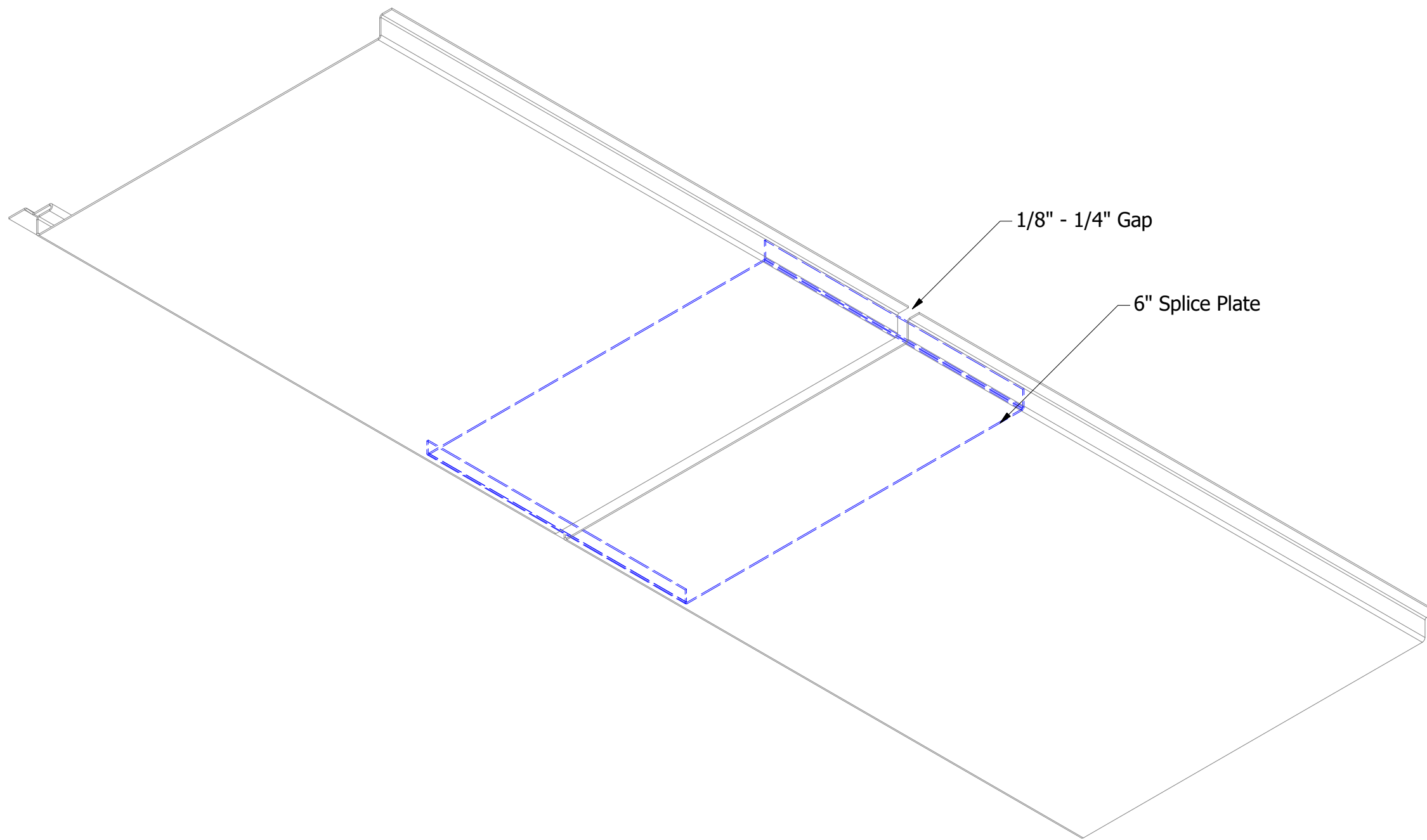
OPF080



ATAS INTERNATIONAL, INC
 Allentown PA
 610-395-8445
 Mesa AZ
 480-558-7210

TITLE		OPF Panel Profile Detail	
DWG. NO.	DR	APP	DATE
	KRK		8/19/2024
MATERIAL	SH. SIZE	SCALE	
	A	X:X	

REV. NO.	DATE	DESCRIPTION OF REVISION	BY	APP



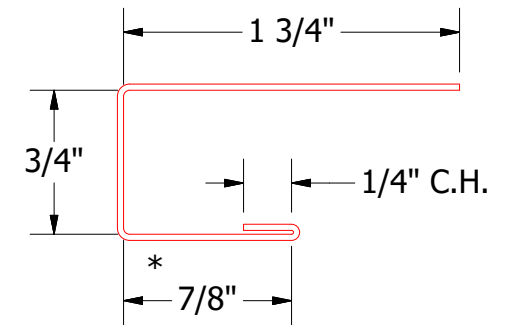
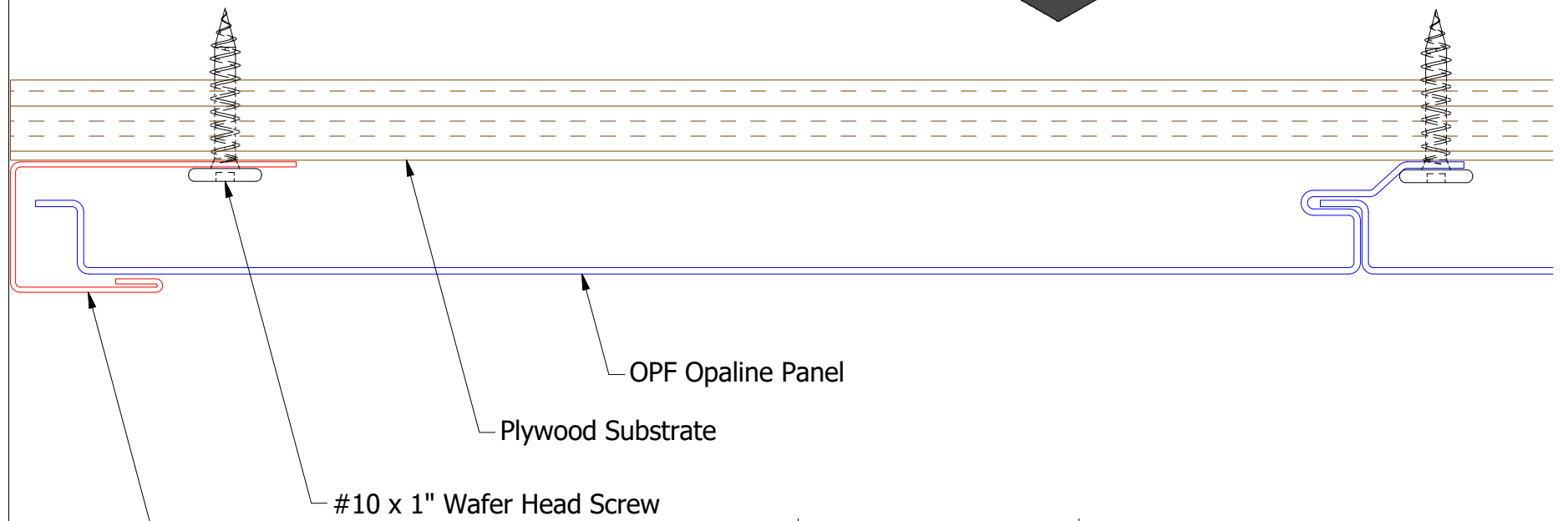
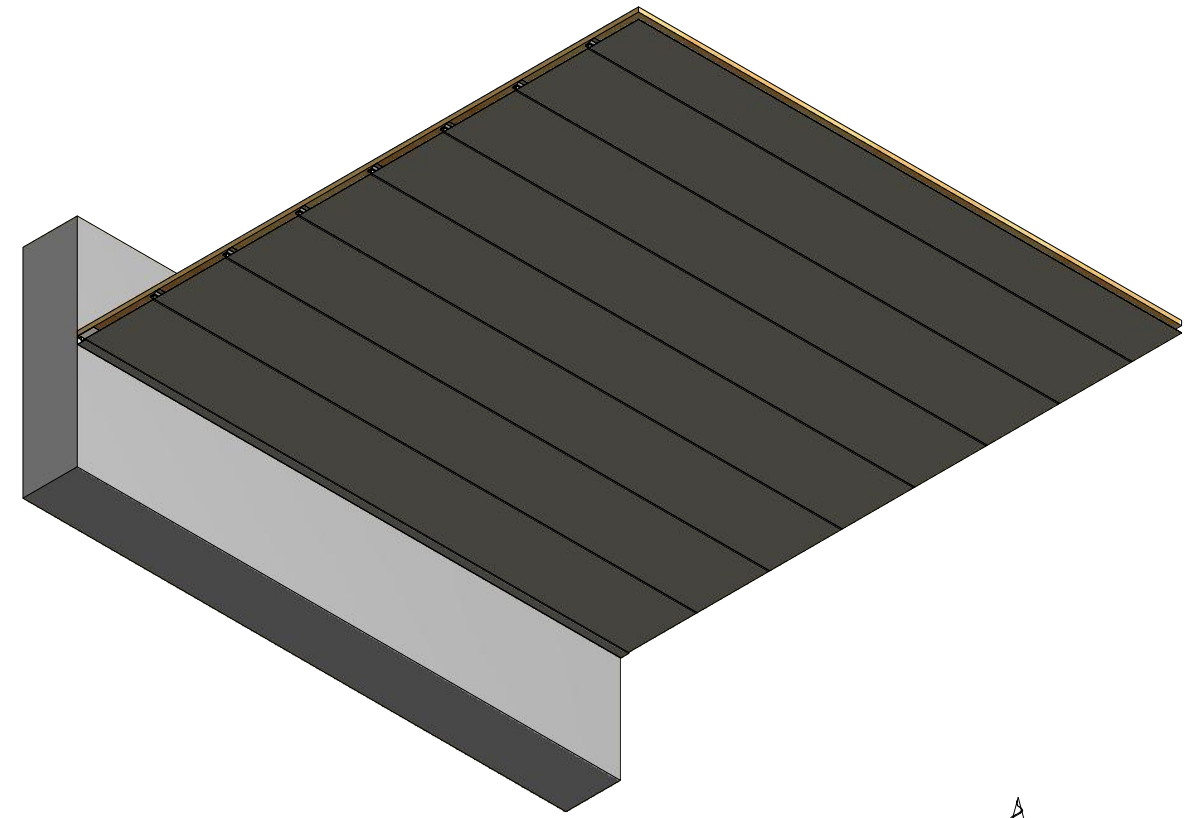
OPF Opaline Splice Plate

Notes:

1) * denotes color side.

ATAS International, Inc.
Sustainable Solutions For A Better Future
www.atas.com | info@atas.com
800.468.1441

				DWG TITLE: Splice Assembly	
1	4/29/2026	Removed VHD tape and Note. Revised drawing onto new template	M.L.P.	D.S.	DWG No: K.R.K. DWG DATE: 8/19/2024
0	8/19/2024	Initial Release	K.R.K.	D.S.	APP BY: D.S. APP DATE: 8/19/2024
REV. NO.	DATE	DESCRIPTION OF REVISION	BY	APP	PANELS/PRODUCT: (OPF) Opaline™ SHEET SIZE: B SCALE: X : X



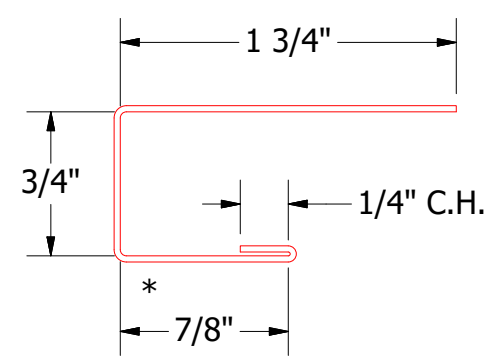
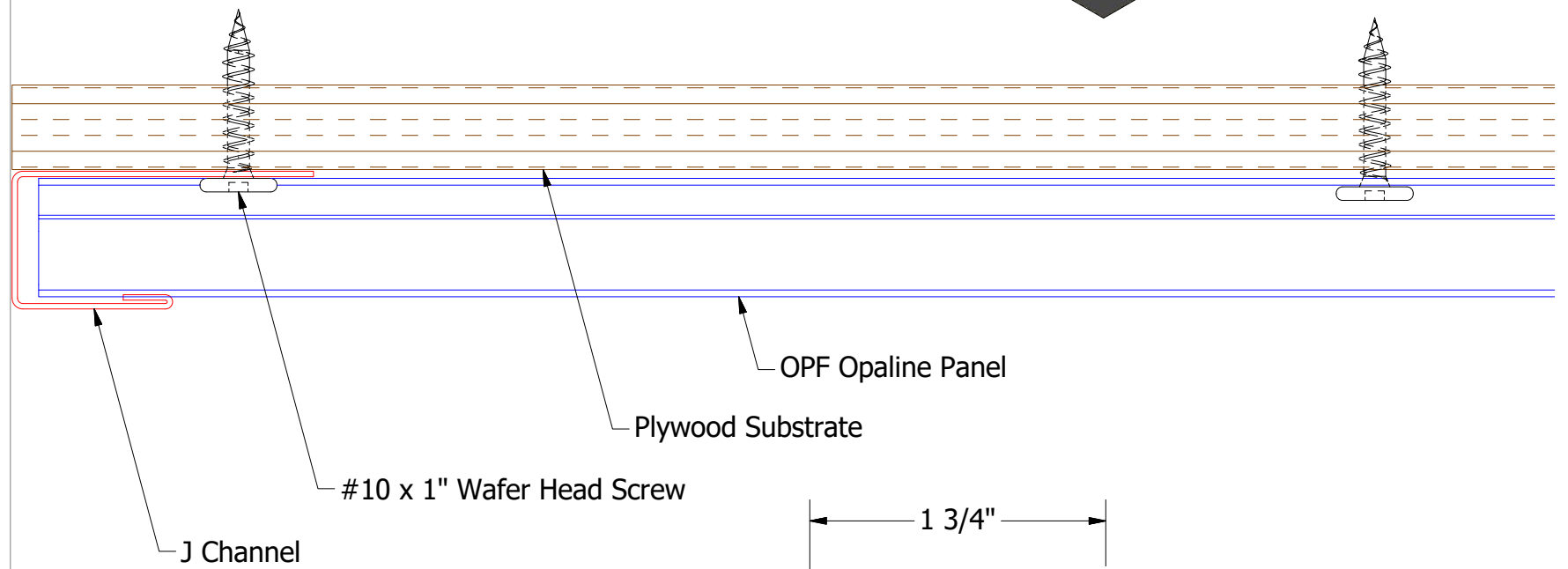
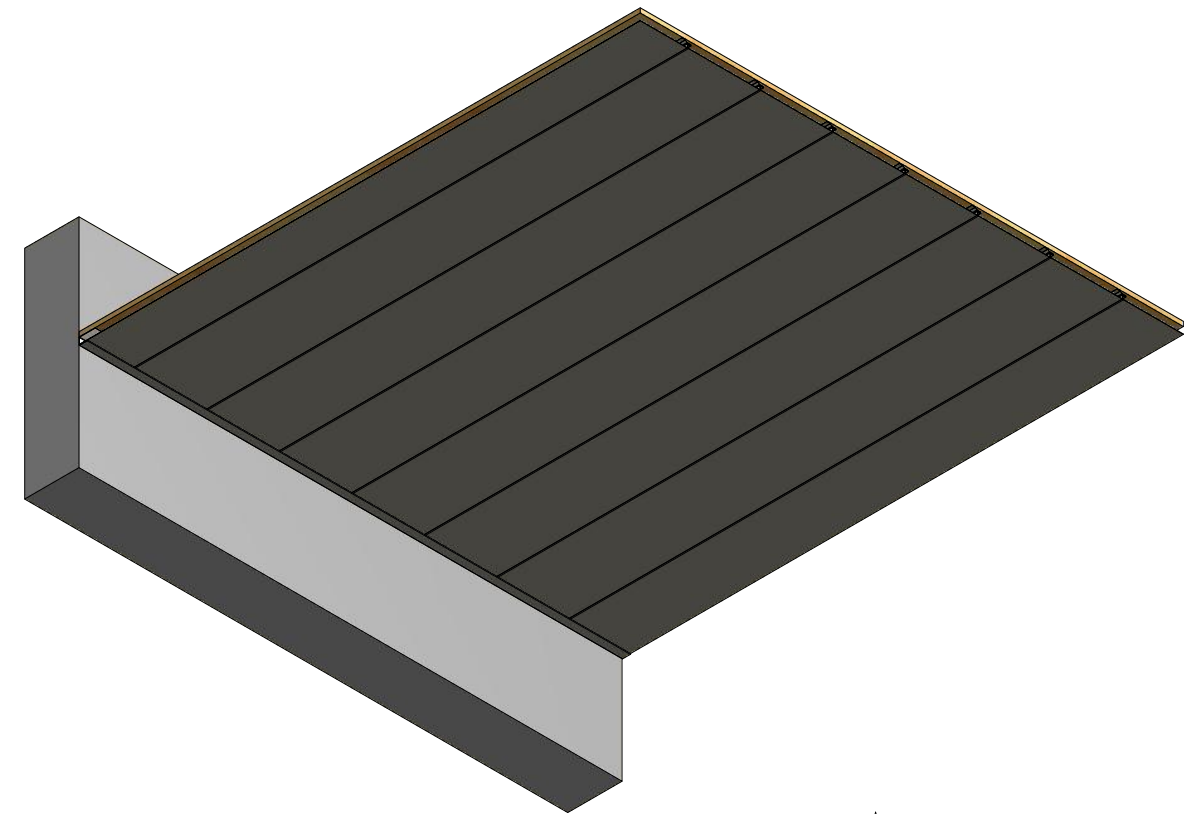
OPA034 - J Channel


ATAS INTERNATIONAL, INC
 Allentown PA
 610-395-8445
 Mesa AZ
 480-558-7210

TITLE		OPF Starting Endwall Detail	
DWG. NO.	DR	DATE	8/19/2024
	KRK	DATE	
MATERIAL	APP	SH. SIZE	B
		SCALE	X:X

REV. NO.	DATE	DESCRIPTION OF REVISION	BY	APP

Note: * denotes color side.

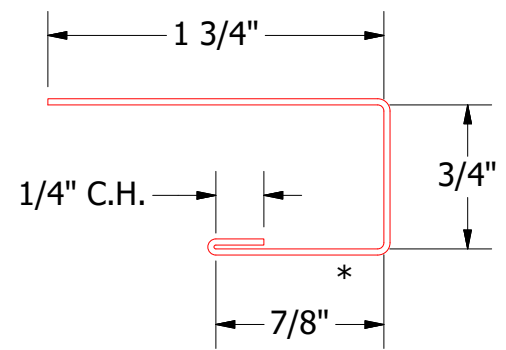
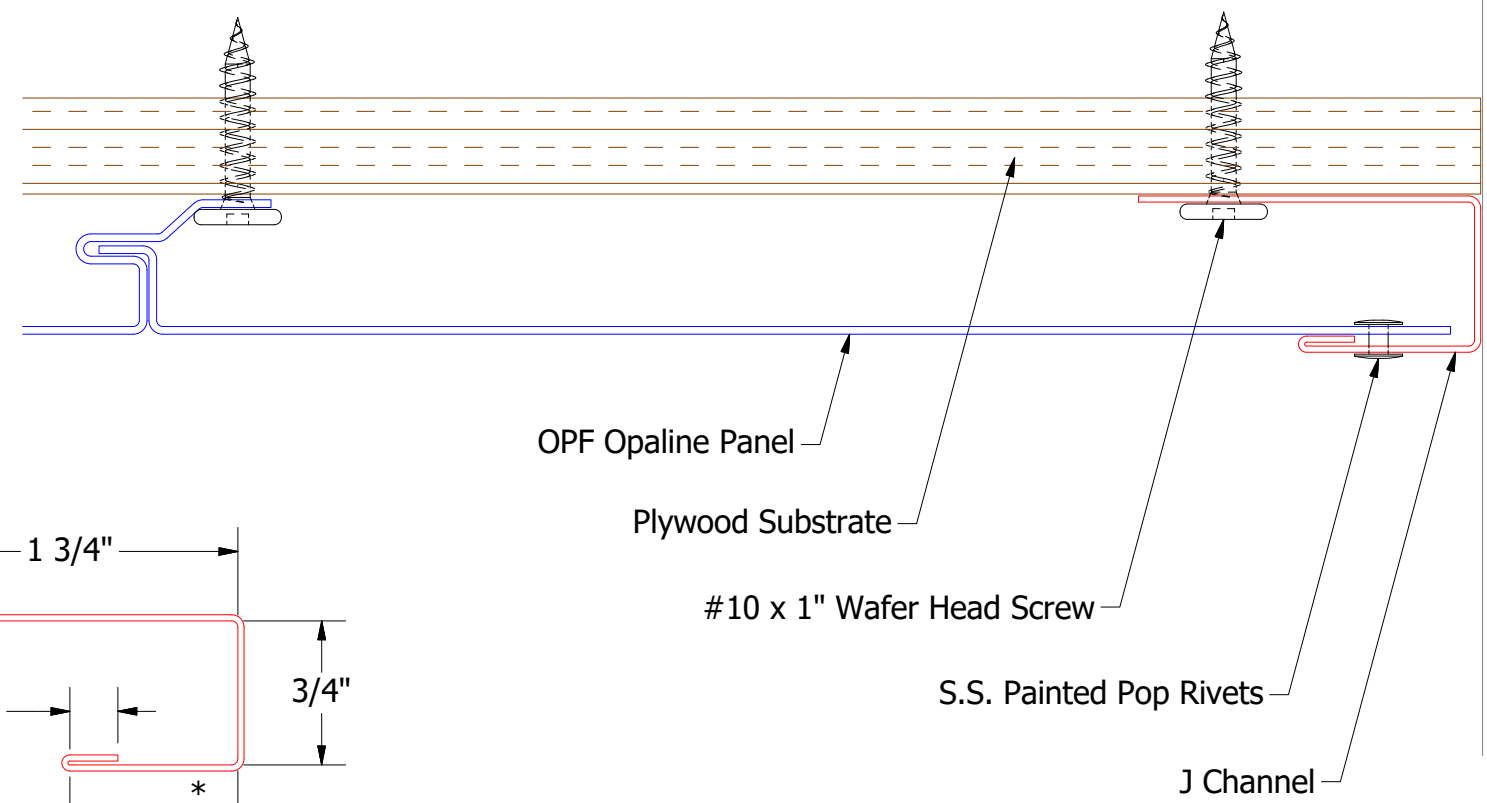
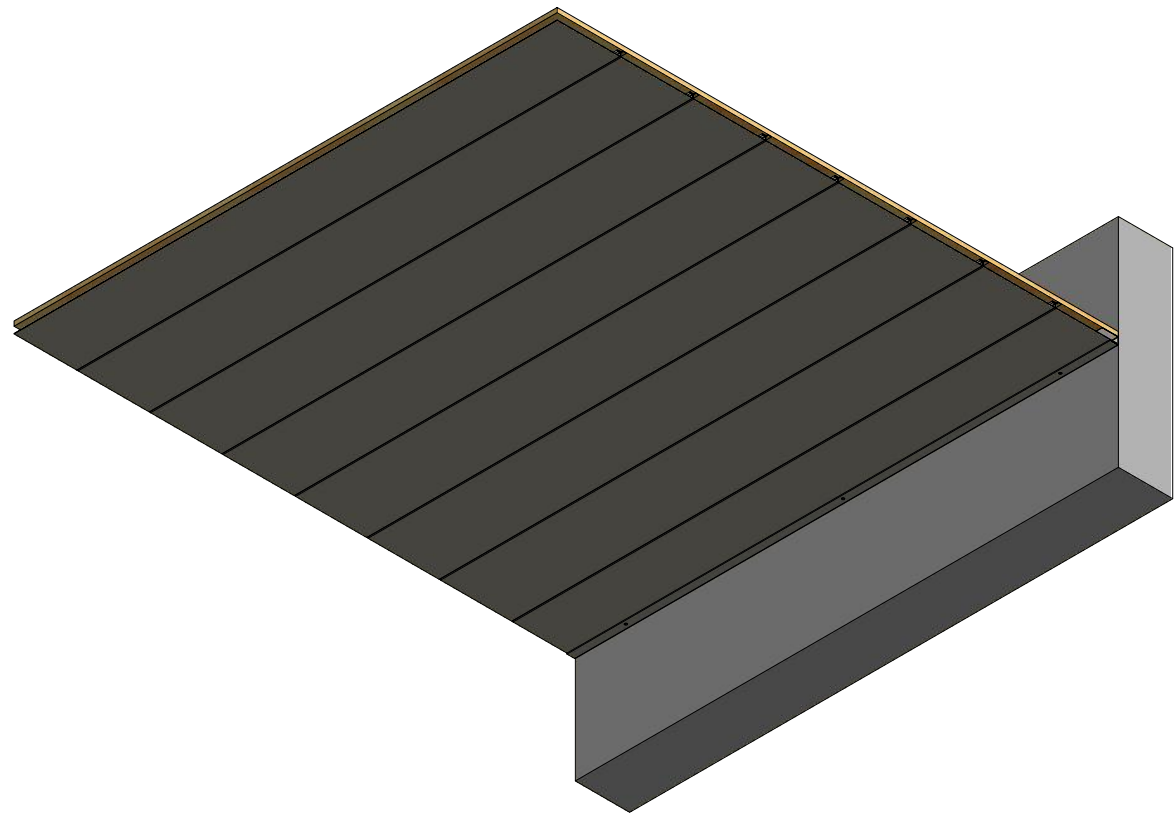


OPA034 - J Channel


ATAS INTERNATIONAL, INC
 Allentown PA
 610-395-8445
 Mesa AZ
 480-558-7210

TITLE		OPF Endwall Detail	
DWG. NO.	DR	DATE	8/19/2024
	KRK	DATE	
MATERIAL	APP	SH. SIZE	B
		SCALE	X:X

REV. NO.	DATE	DESCRIPTION OF REVISION	BY	APP



OPA034 - J Channel

Note: * denotes color side.


ATAS INTERNATIONAL, INC
 Allentown PA
 610-395-8445
 Mesa AZ
 480-558-7210

TITLE		OPF Ending Endwall Detail		
DWG. NO.	DR	DATE	APP	DATE
	KRK	8/19/2024		
REV. NO.	DATE	DESCRIPTION OF REVISION	BY	APP
			SH. SIZE	SCALE
			B	X:X