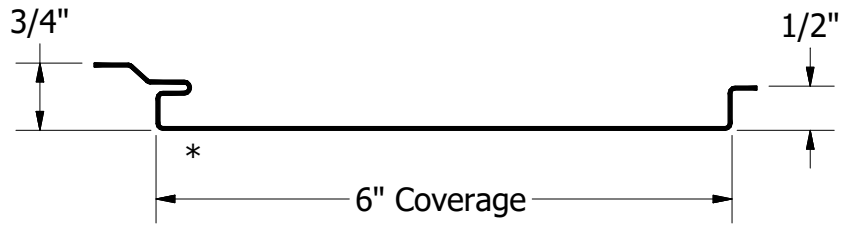
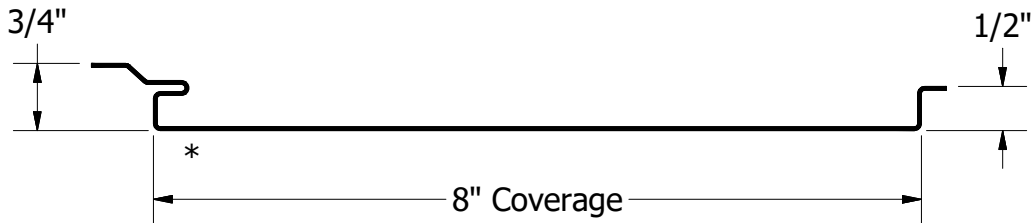


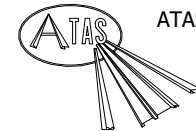
OPF040



OPF060



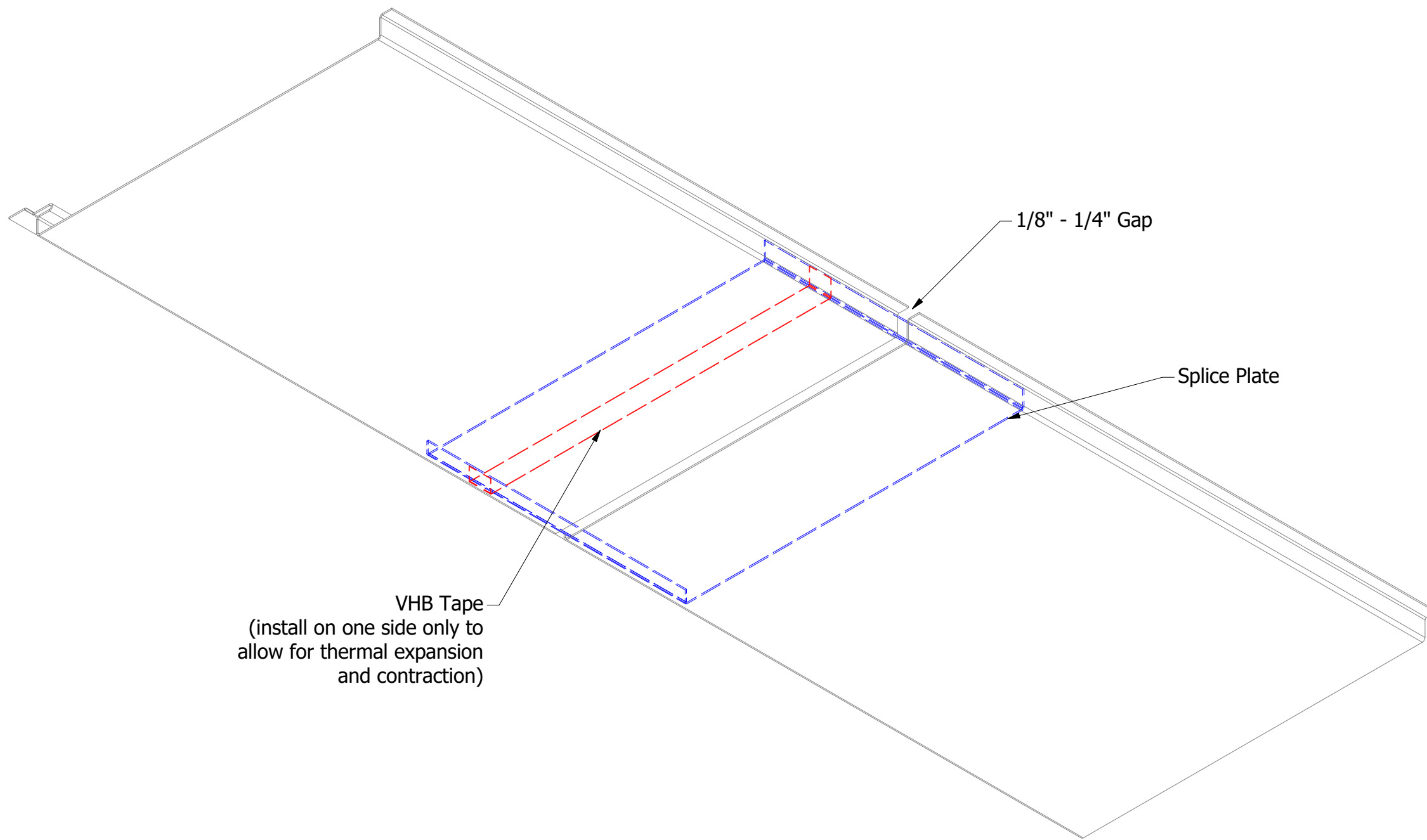
OPF080



ATAS INTERNATIONAL, INC
 Allentown PA
 610-395-8445
 Mesa AZ
 480-558-7210

TITLE		OPF Panel Profile Detail	
DWG. NO.	DR	APP	DATE
	KRK		8/19/2024
MATERIAL	SH. SIZE	SCALE	
	A	X:X	

REV. NO.	DATE	DESCRIPTION OF REVISION	BY	APP



VHB Tape
 (install on one side only to
 allow for thermal expansion
 and contraction)

1/8" - 1/4" Gap

Splice Plate

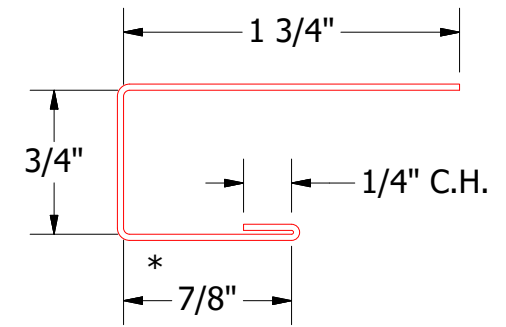
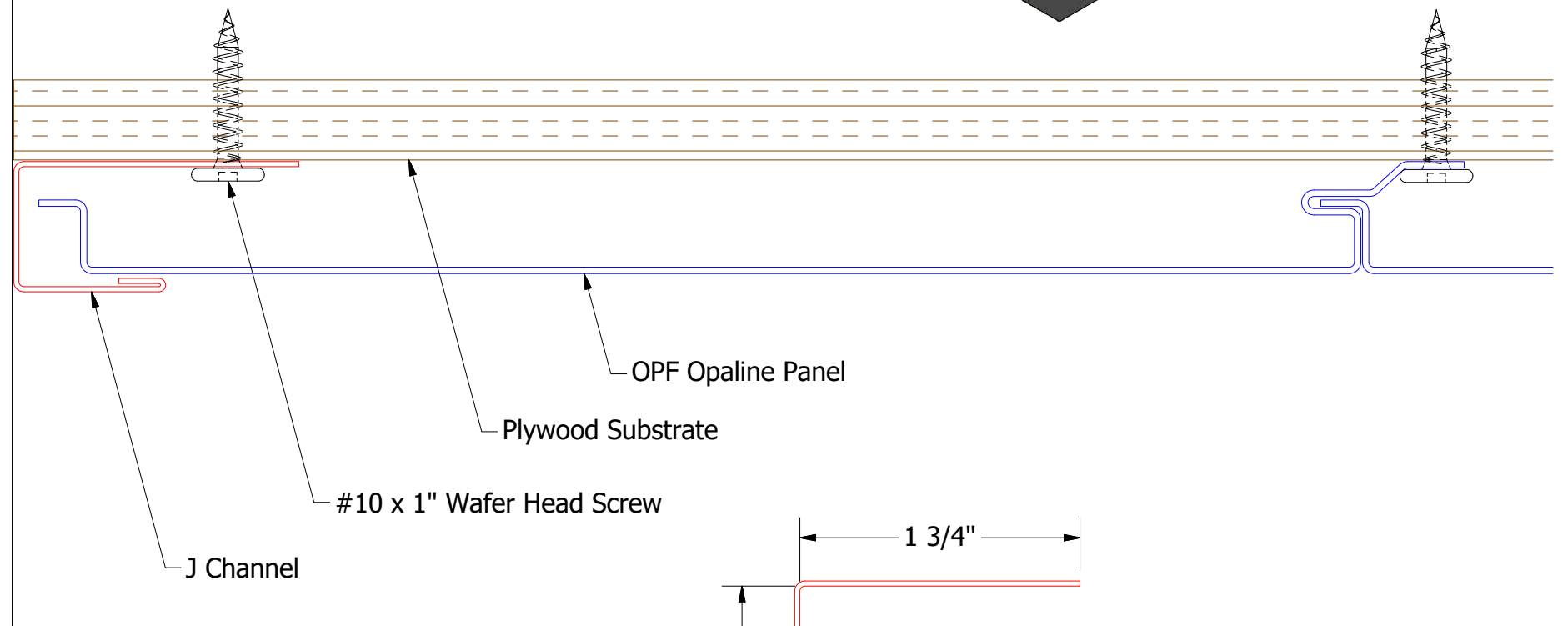
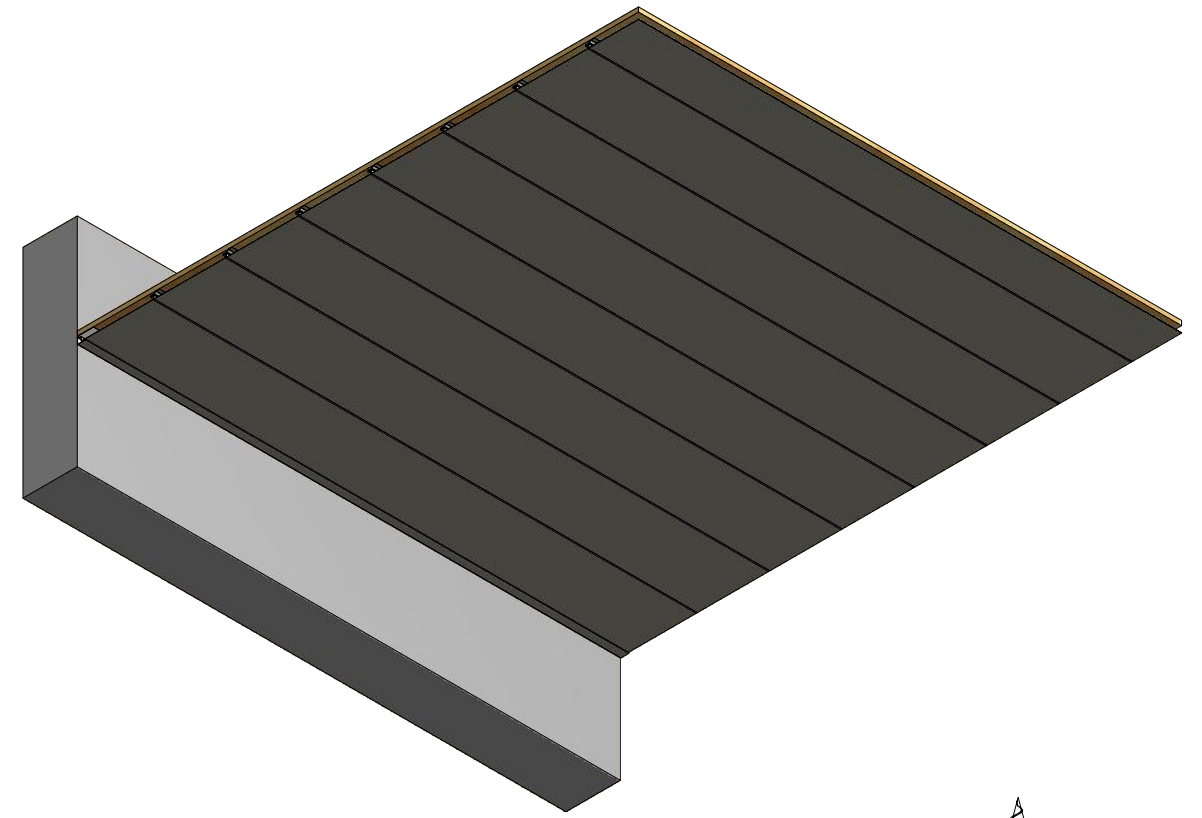


OPF Opaline Splice Plate



ATAS INTERNATIONAL, INC
 Allentown PA
 610-395-8445
 Mesa AZ
 480-558-7210

REV. NO.		DATE	DESCRIPTION OF REVISION	BY	APP	TITLE		OPF Splice Detail	
						DWG. NO.	DR	KRK	DATE
						MATERIAL	APP		DATE
						SH. SIZE	B	SCALE	X:X



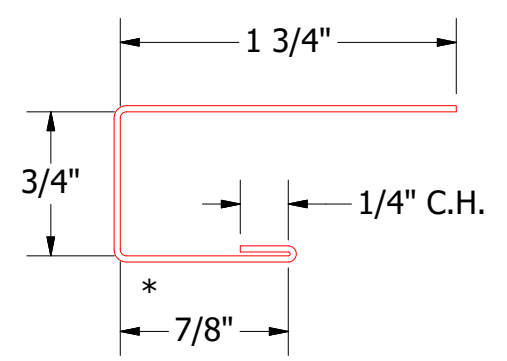
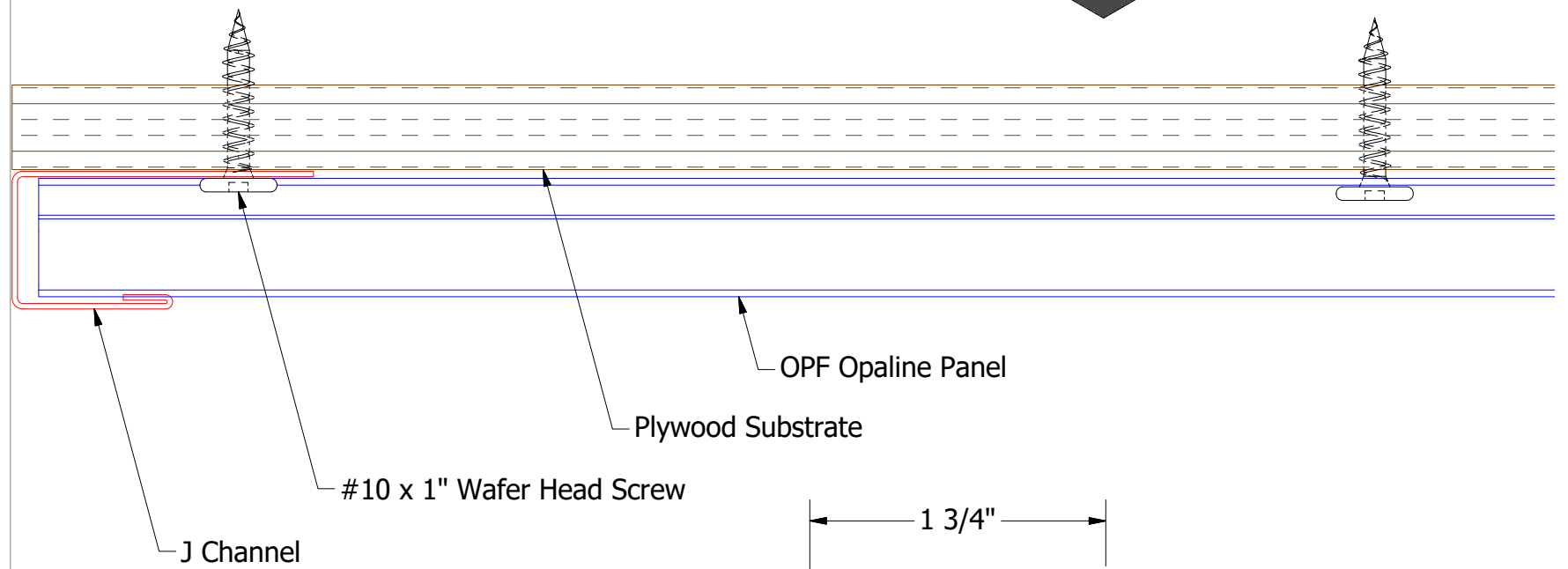
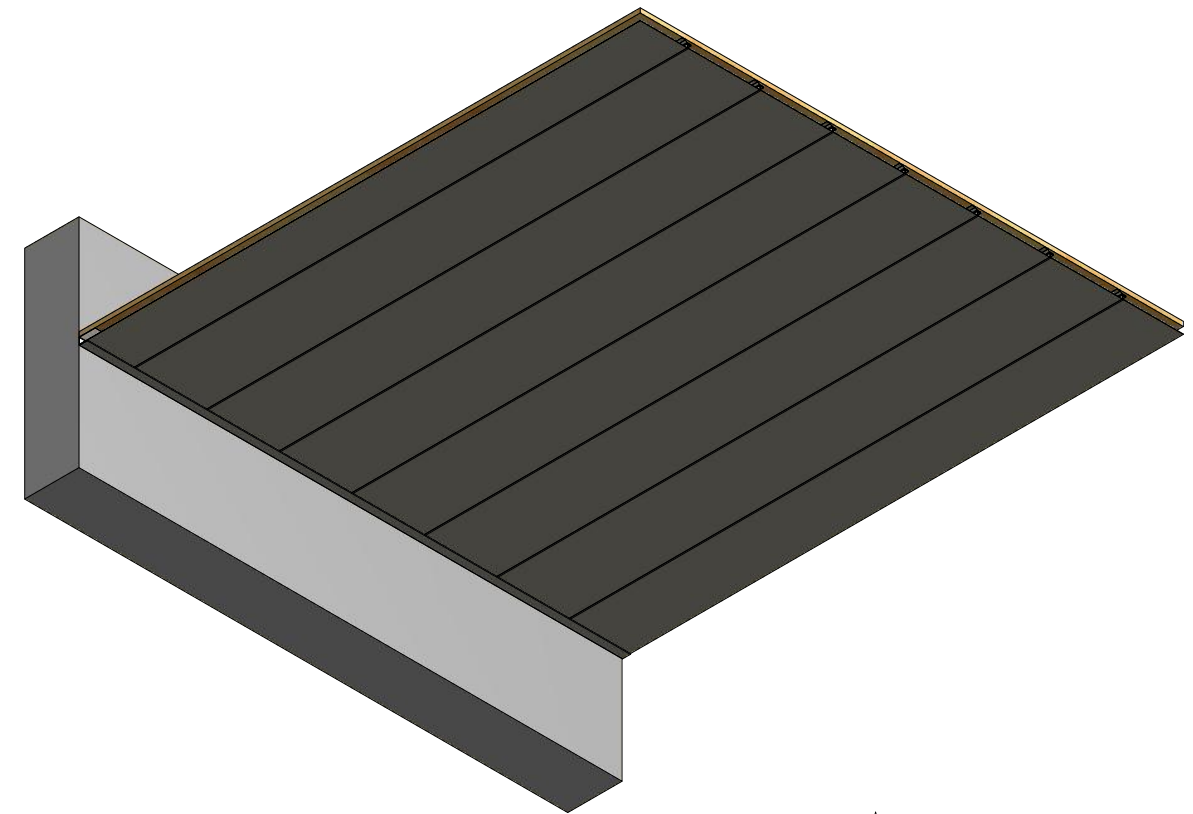
OPA034 - J Channel


ATAS INTERNATIONAL, INC
 Allentown PA
 610-395-8445
 Mesa AZ
 480-558-7210

TITLE		OPF Starting Endwall Detail	
DWG. NO.	DR	DATE	8/19/2024
	KRK	DATE	
MATERIAL	APP	SH. SIZE	B
		SCALE	X:X

REV. NO.	DATE	DESCRIPTION OF REVISION	BY	APP

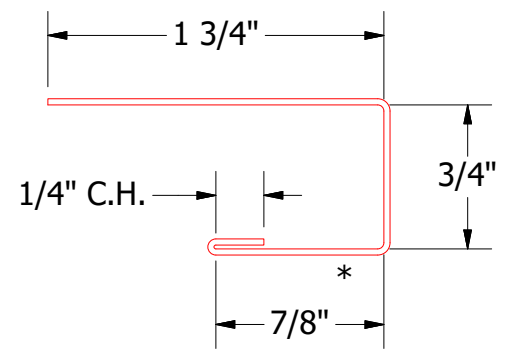
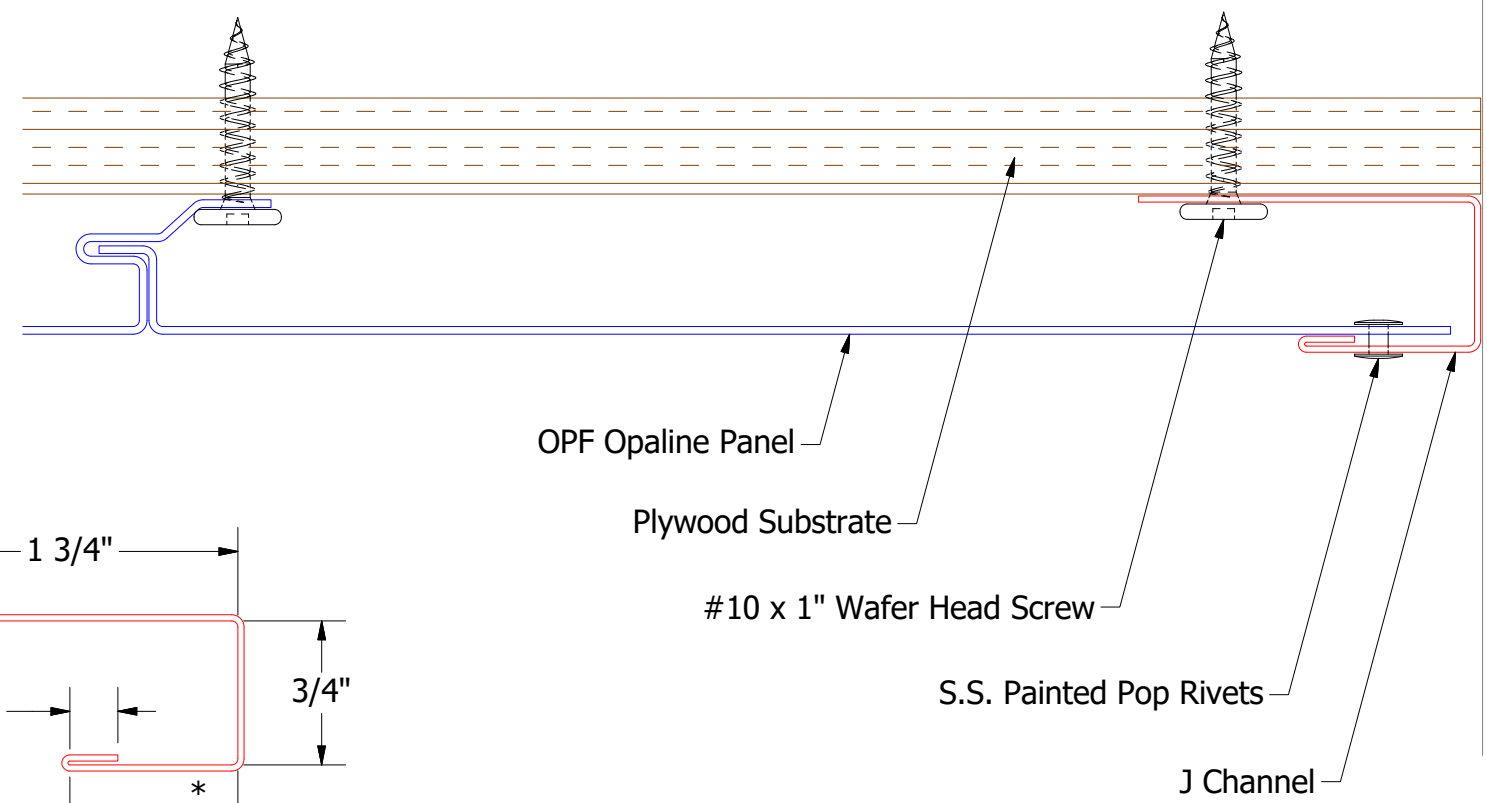
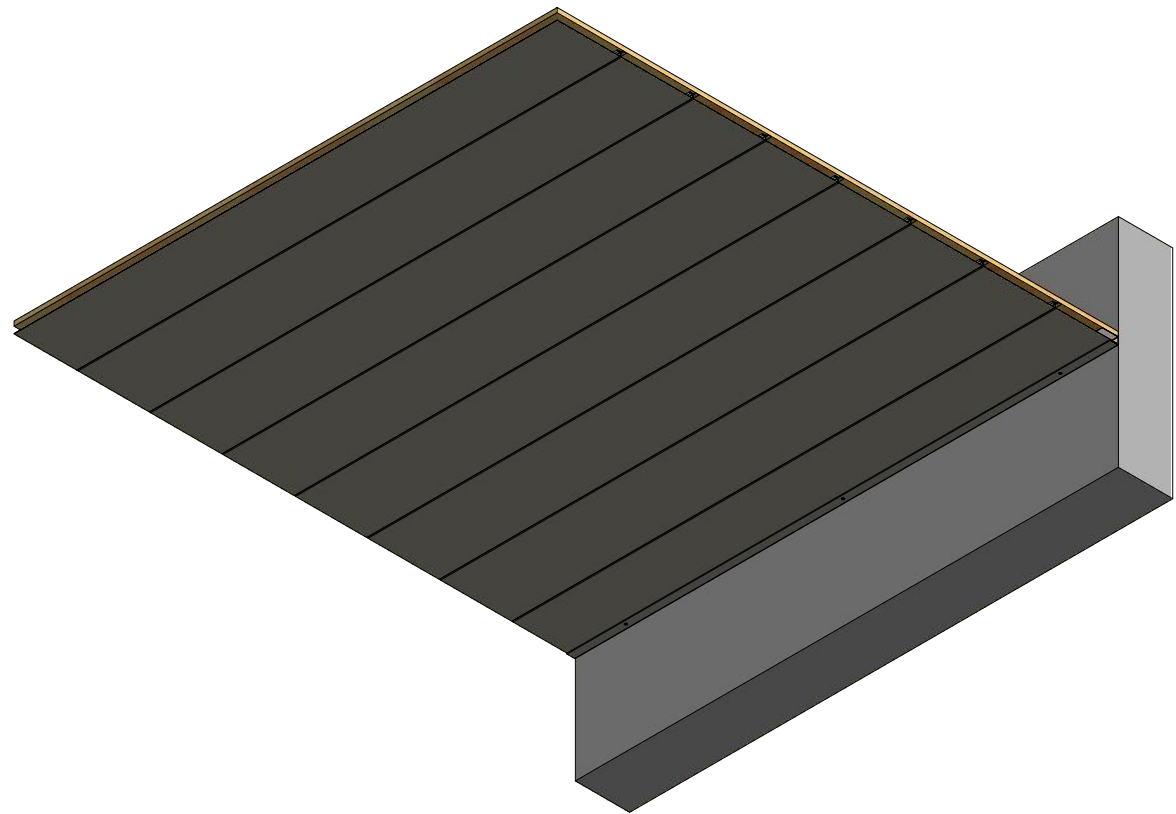
Note: * denotes color side.



OPA034 - J Channel


ATAS INTERNATIONAL, INC
 Allentown PA
 610-395-8445
 Mesa AZ
 480-558-7210

TITLE				OPF Endwall Detail	
DWG. NO.		DR		DATE	
		KRK		8/19/2024	
MATERIAL		APP		DATE	
REV. NO.	DATE	DESCRIPTION OF REVISION	BY	APP	SCALE
					B X:X



OPA034 - J Channel

Note: * denotes color side.


ATAS INTERNATIONAL, INC
 Allentown PA
 610-395-8445
 Mesa AZ
 480-558-7210

TITLE		OPF Ending Endwall Detail	
DWG. NO.	DR	DATE	8/19/2024
	APP	DATE	
MATERIAL	SH. SIZE	SCALE	X:X
	B		

REV. NO.	DATE	DESCRIPTION OF REVISION	BY	APP