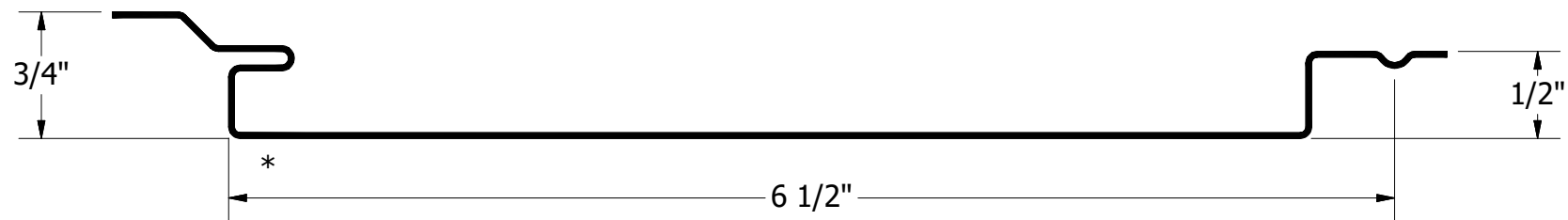
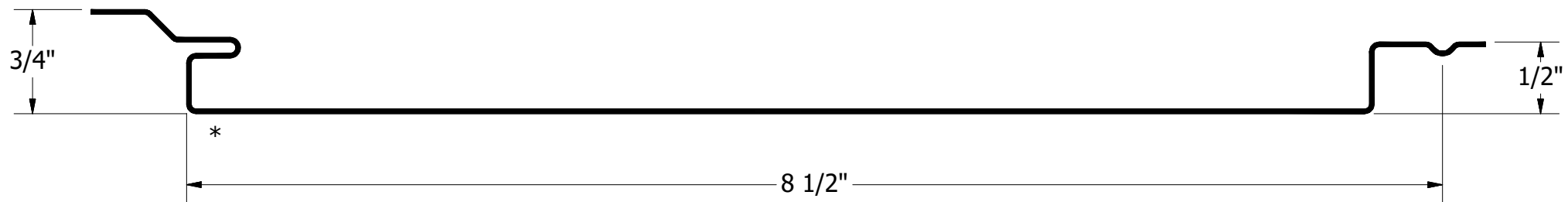


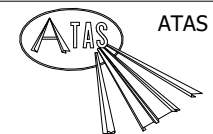
OPW045



OPW065



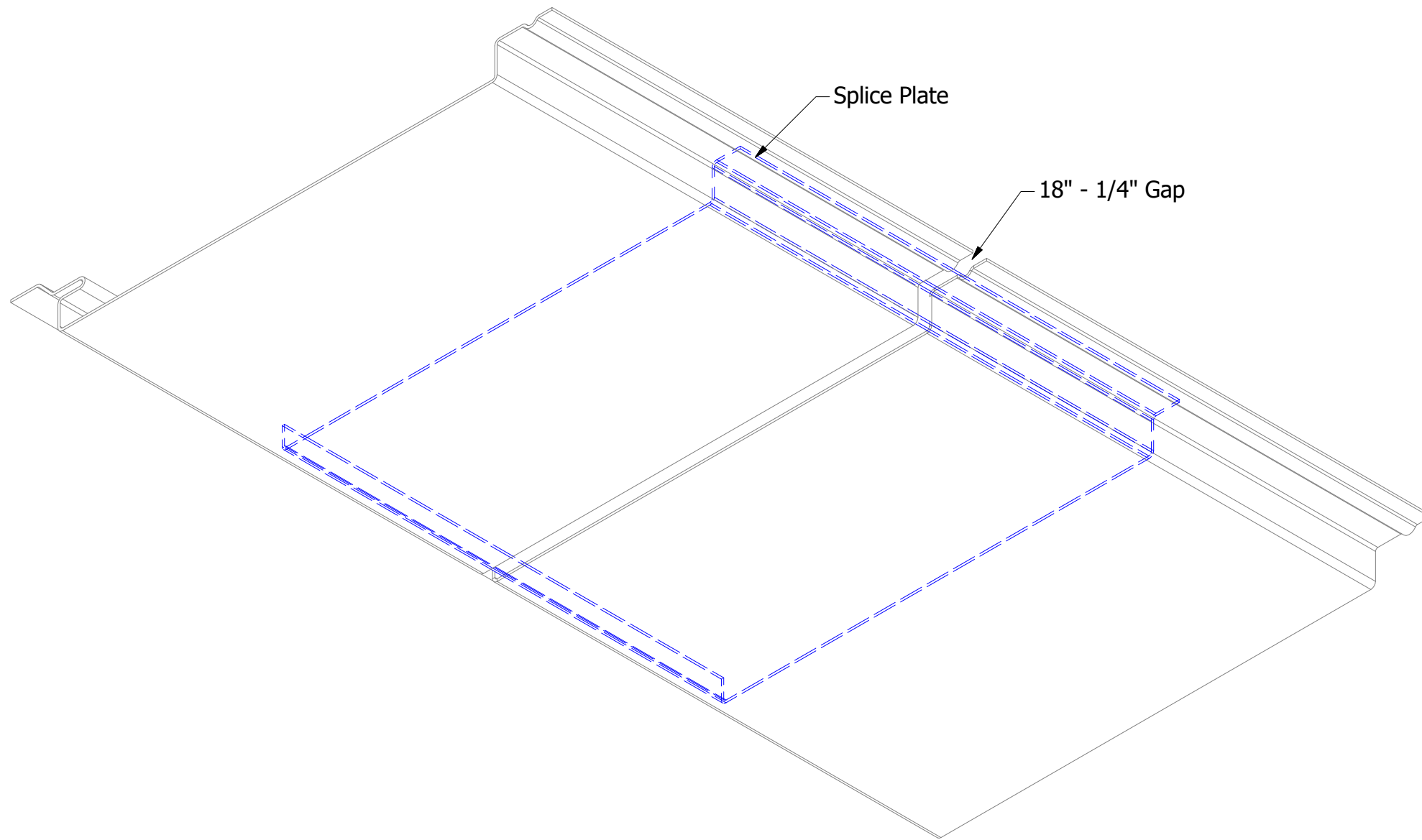
OPW085



ATAS INTERNATIONAL, INC
 Allentown PA
 610-395-8445
 Mesa AZ
 480-558-7210

TITLE		OPW Panel Profile Detail	
DWG. NO.	DR	DATE	8/19/2024
	KRK	DATE	
MATERIAL	APP	SH. SIZE	B
		SCALE	X:X

REV. NO.	DATE	DESCRIPTION OF REVISION	BY	APP



OPW Opaline Splice Plate



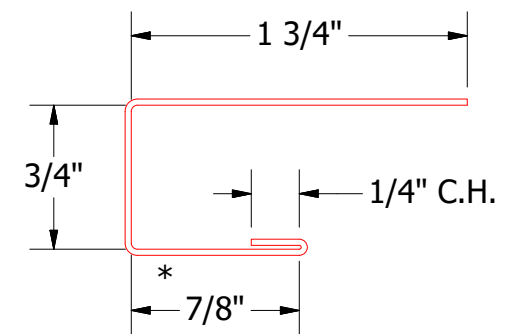
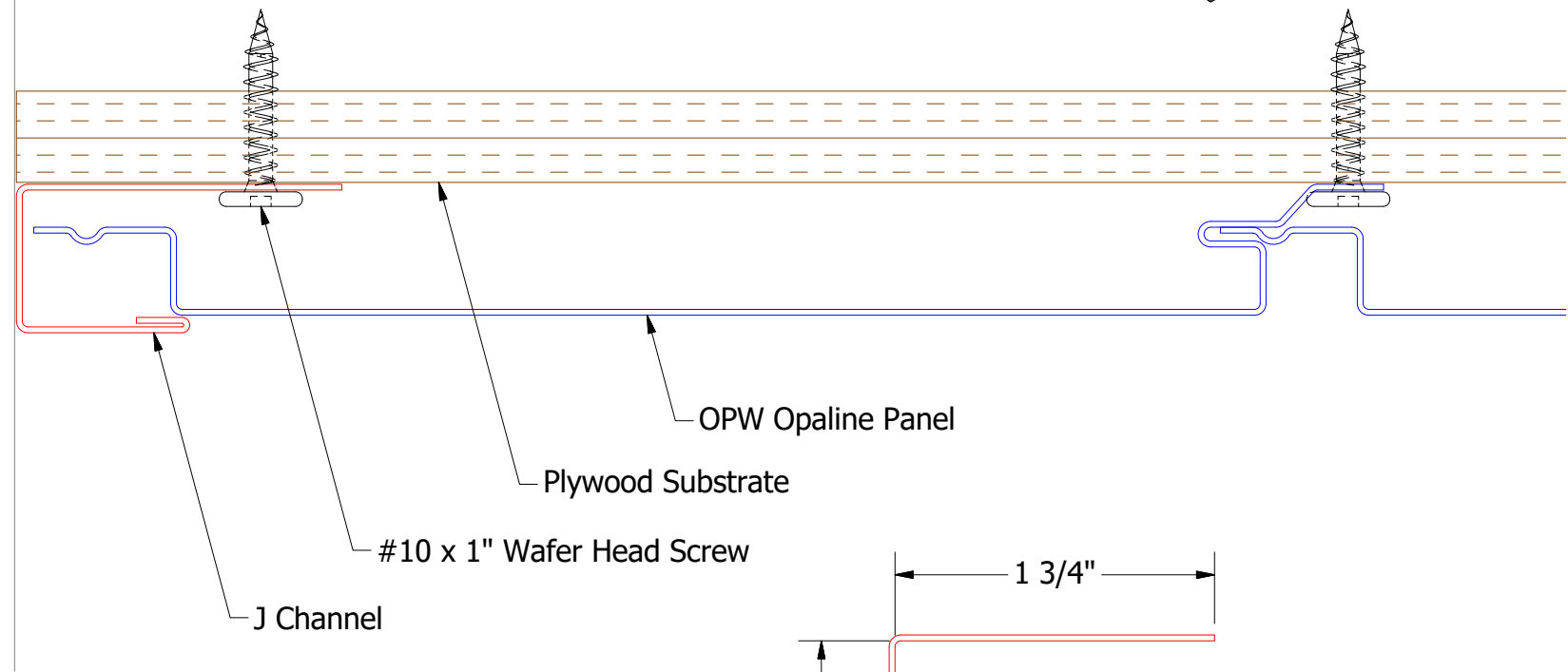
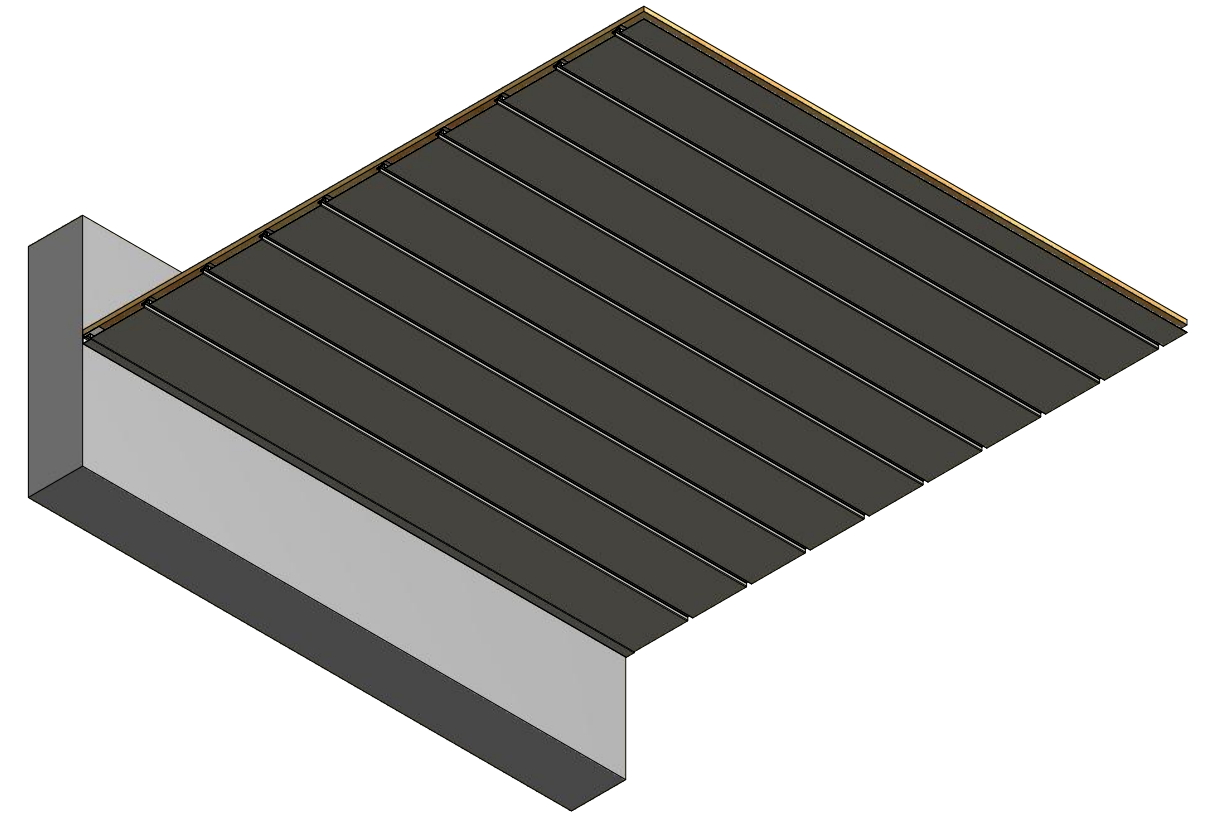
Notes:

1) * denotes color side.

ATAS International, Inc.
Sustainable Solutions For A Better Future
www.atas.com | info@atas.com
800.468.1441

DWG TITLE:		Splice Assembly	
DWG No:		DWG DATE:	8/19/2024
APP BY:	K.R.K.	APP DATE:	8/20/2024
PANELS/PRODUCT:		SHEET SIZE:	B
(OPW) Opaline™		SCALE:	X : X

REV. NO.	DATE	DESCRIPTION OF REVISION	BY	APP
1	4/29/2026	Removed VHD Tape and Notes. Revised drawing onto new template	M.L.P.	D.S.
0	8/19/2024	Initial Release	K.R.K.	D.S.



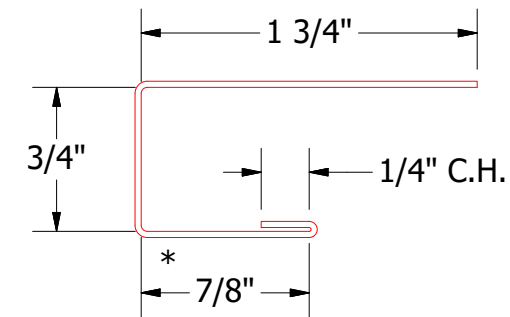
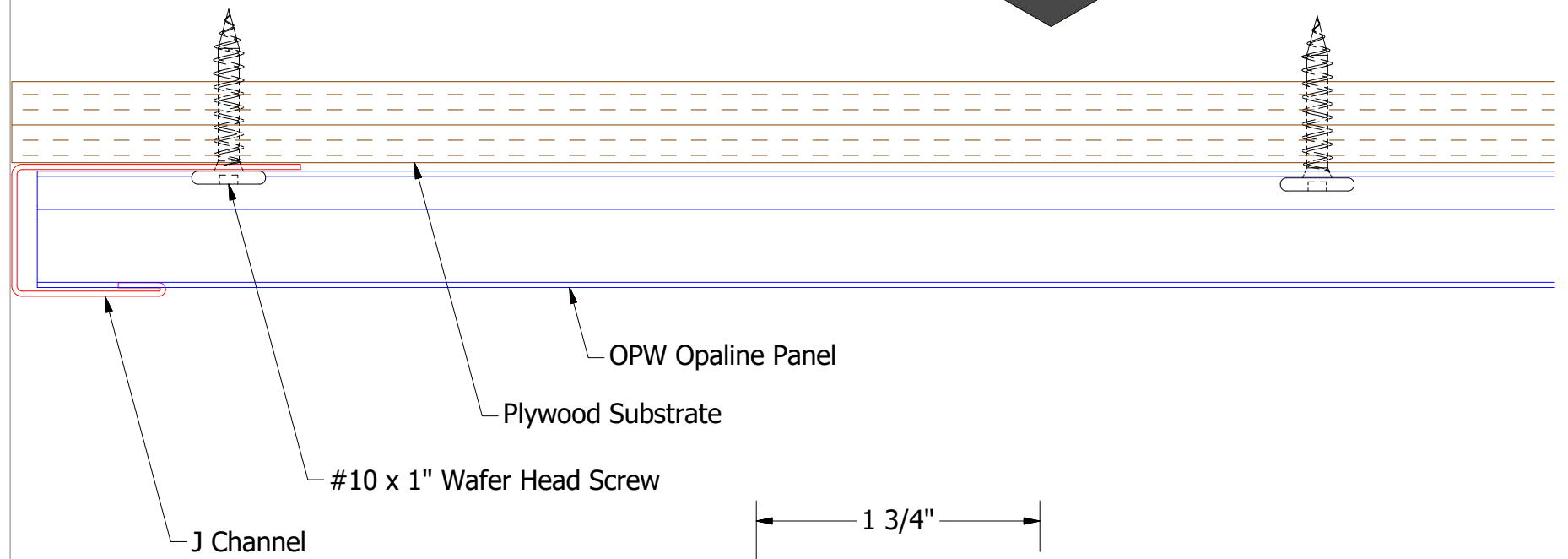
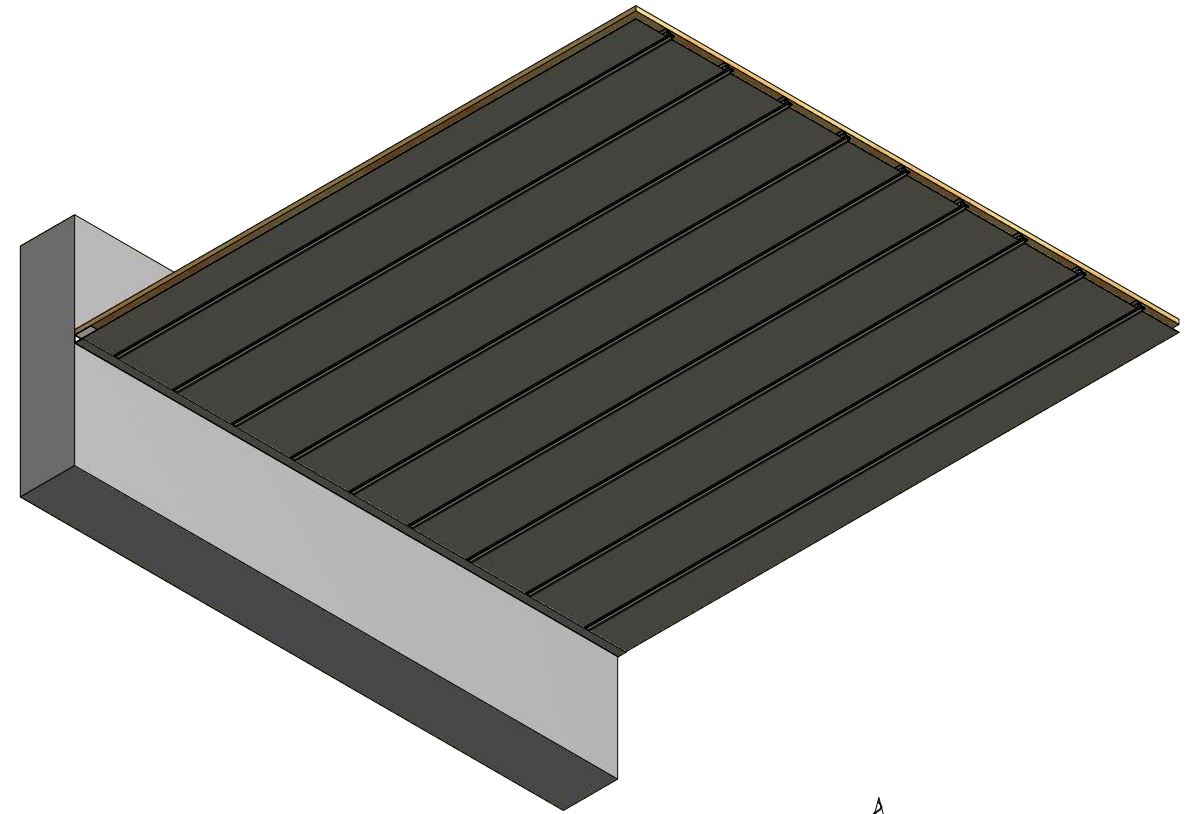
OPA034 - J Channel


ATAS INTERNATIONAL, INC
 Allentown PA
 610-395-8445
 Mesa AZ
 480-558-7210

TITLE		OPW Starting Endwall Detail	
DWG. NO.	DR	DATE	8/20/2024
	KRK		
MATERIAL	APP	DATE	
SH. SIZE	B	SCALE	X:X

REV. NO.	DATE	DESCRIPTION OF REVISION	BY	APP

Note: * denotes color side.

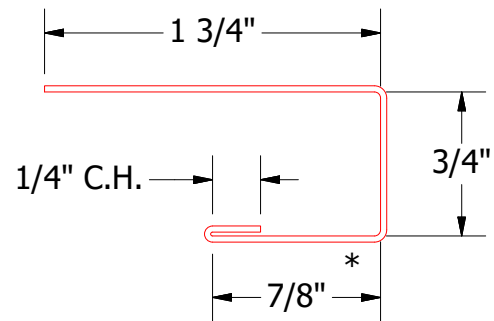
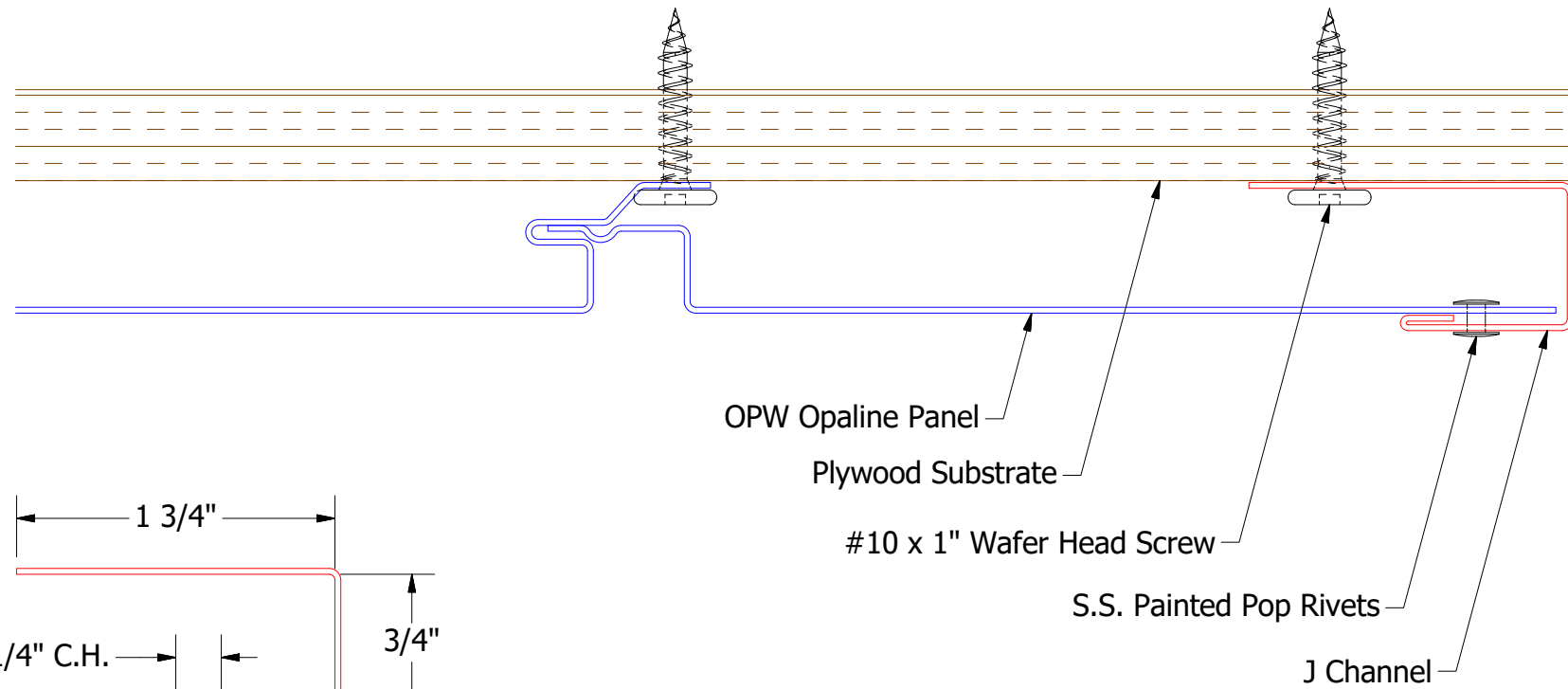
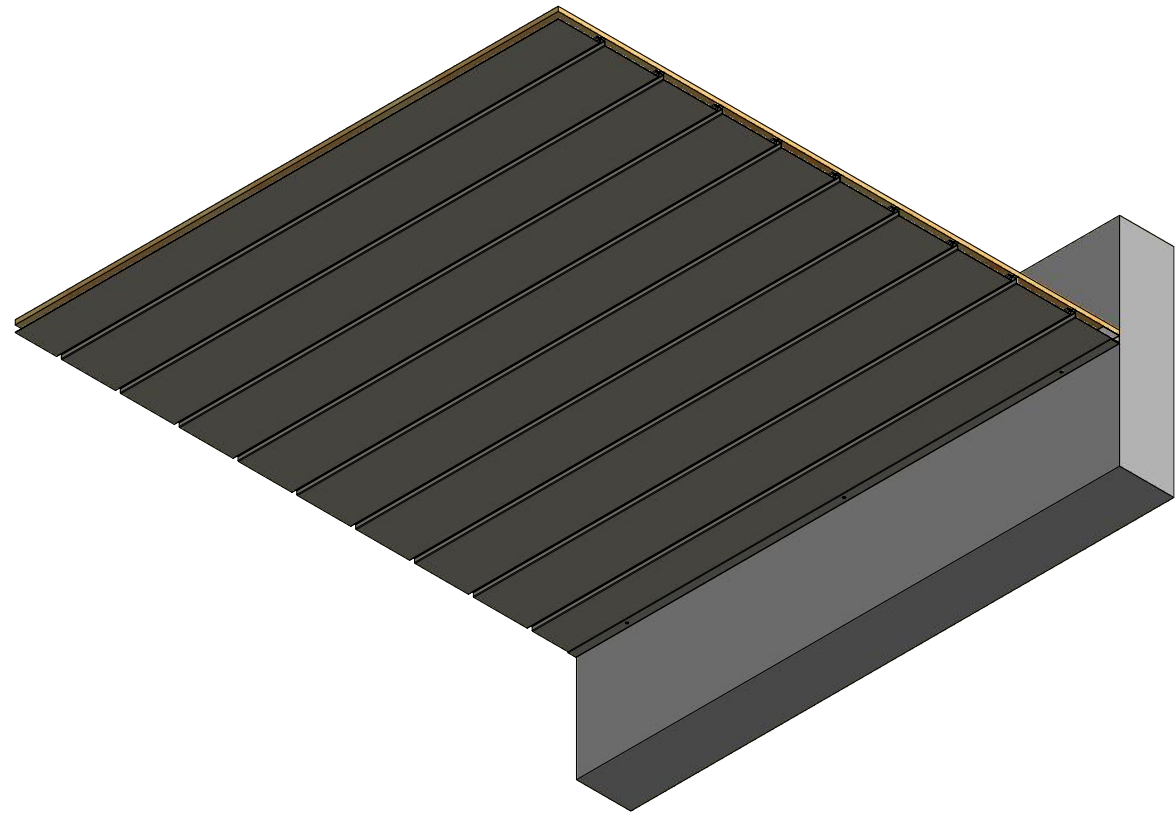


OPA034 - J Channel

Note: * denotes color side.


ATAS INTERNATIONAL, INC
 Allentown PA
 610-395-8445
 Mesa AZ
 480-558-7210

TITLE				OPW Endwall Detail	
DWG. NO.		DR		DATE	
		KRK		8/20/2024	
MATERIAL		APP		DATE	
		SH. SIZE		SCALE	
		B		X:X	
REV. NO.	DATE	DESCRIPTION OF REVISION	BY	APP	



OPA034 - J Channel

Note: * denotes color side.



ATAS INTERNATIONAL, INC
 Allentown PA
 610-395-8445
 Mesa AZ
 480-558-7210

TITLE **OPW Ending Endwall Detail**

REV. NO.	DATE	DESCRIPTION OF REVISION	BY	APP	DWG. NO.	DR	DATE
						KRK	8/20/2024
					MATERIAL	APP	DATE
						SH. SIZE	SCALE
						B	X:X