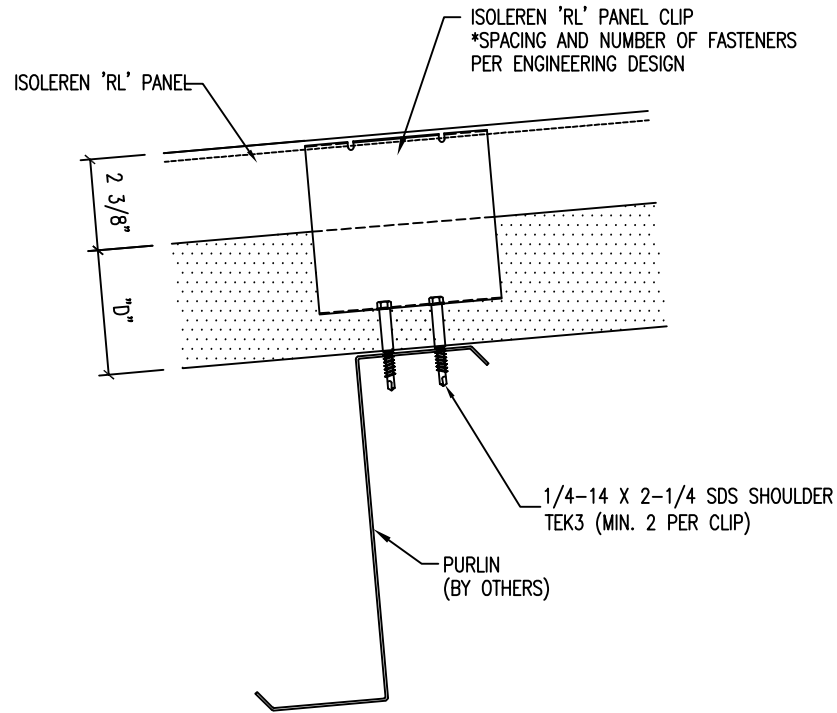


NOTE: DO NOT OVER DRIVE FASTENERS.

FASTENING SCHEDULE WILL VARY
DEPENDING ON SPECIFIC APPLICATION



NOTE:

1. "D" = ROOF PANEL THICKNESS (AVAILABLE THICKNESS = 2.5, 3, 4, 5 OR 6)

** THE DETAIL SHOWN IS SUBJECT TO CHANGE WITHOUT NOTICE.

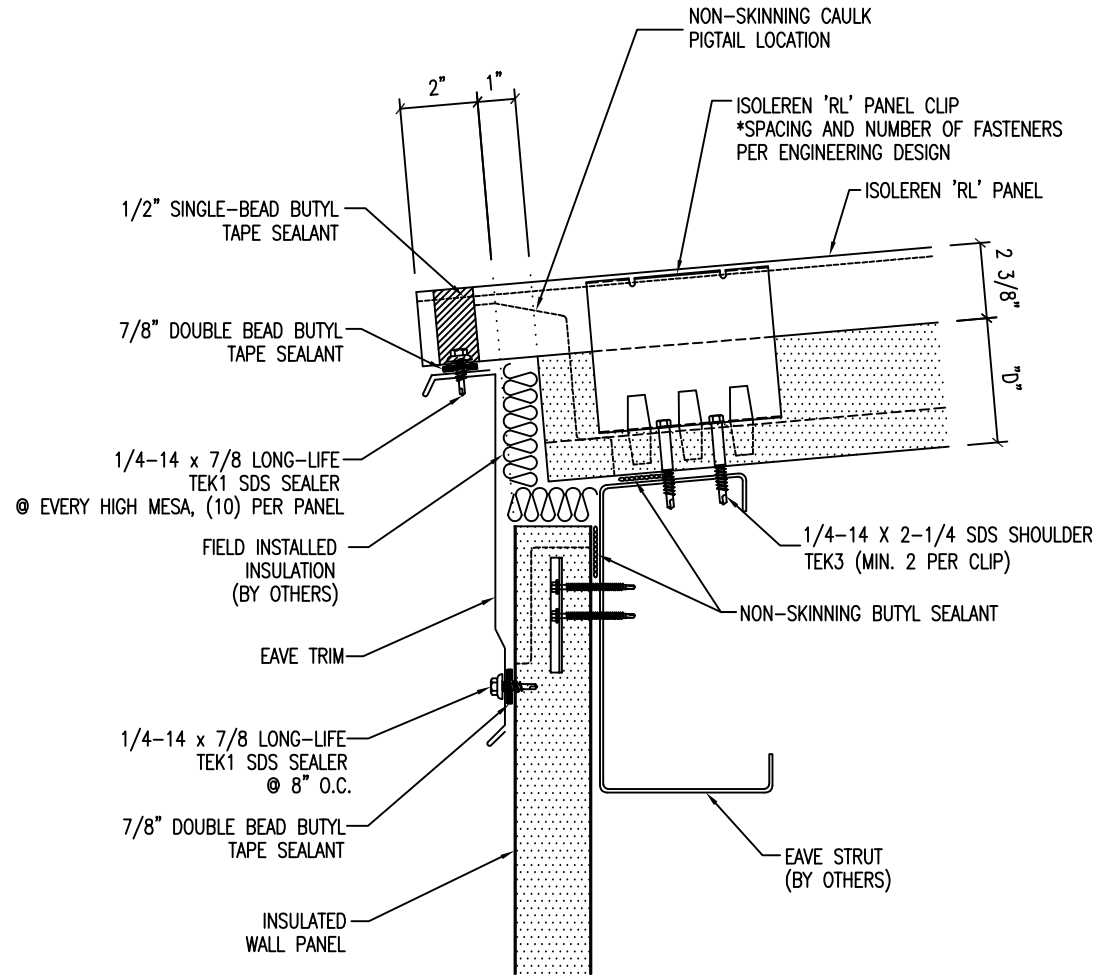


ATAS INTERNATIONAL, INC
Allentown PA
610-395-8445
Mesa AZ
480-558-7210

REV. NO.	DATE	DESCRIPTION OF REVISION	BY	APP

TITLE		Roof-Clip Connection	
DWG. NO.	DR	DATE	
MATERIAL	APP	DATE	
	SH. SIZE	SCALE	X:X

NOTE: FIELD REMOVE LINER AND INSULATION AT CUTBACK
(FACTORY CUTBACK IS AVAILABLE)



NOTE:

1. "D" = ROOF PANEL THICKNESS (AVAILABLE THICKNESS = 2.5, 3, 4, 5, OR 6)
2. FIELD REMOVE LINER AND INSULATION AT CUTBACK (FACTORY CUTBACK IS AVAILABLE)
3. DIMENSIONS SHOWN ARE FOR 3" THICK ROOF PANEL. ADJUST DIMENSION PROPORTIONALLY FOR OTHER ROOF PANELS THICKNESS.
4. FILLER INSULATION MATERIAL AND APPLICATION IS SPECIFIED BY THE PROJECT DESIGNER.

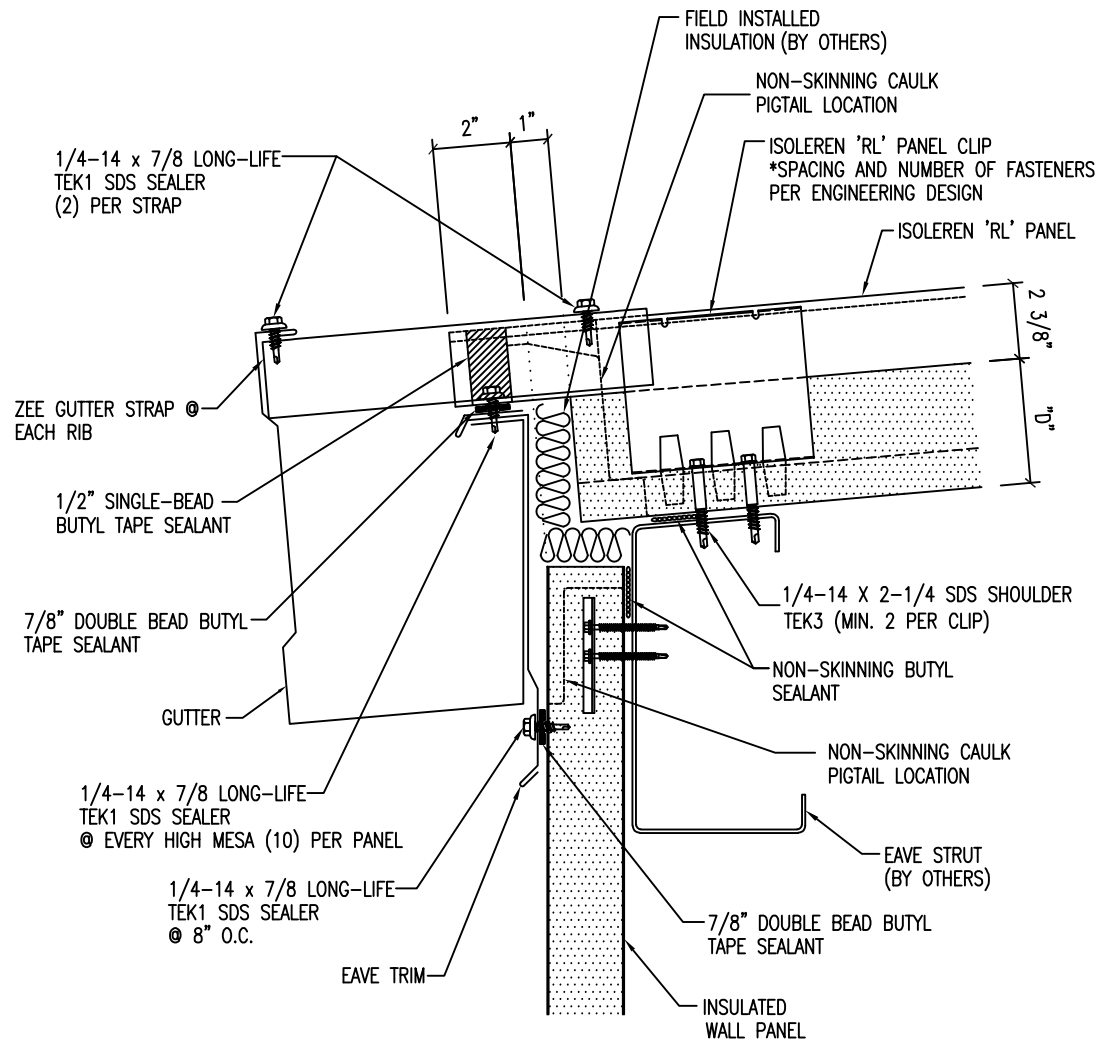
** THE DETAIL SHOWN IS SUBJECT TO CHANGE WITHOUT NOTICE.



ATAS INTERNATIONAL, INC
Allentown PA
610-395-8445
Mesa AZ
480-558-7210

TITLE					Roof-Eave at Wall		
DWG. NO.				DR	DATE		
MATERIAL				APP	DATE		
REV. NO.	DATE	DESCRIPTION OF REVISION	BY	APP	SH. SIZE	SCALE X:X	

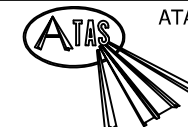
NOTE: FIELD REMOVE LINER AND INSULATION AT CUTBACK
(FACTORY CUTBACK IS AVAILABLE)



NOTE:

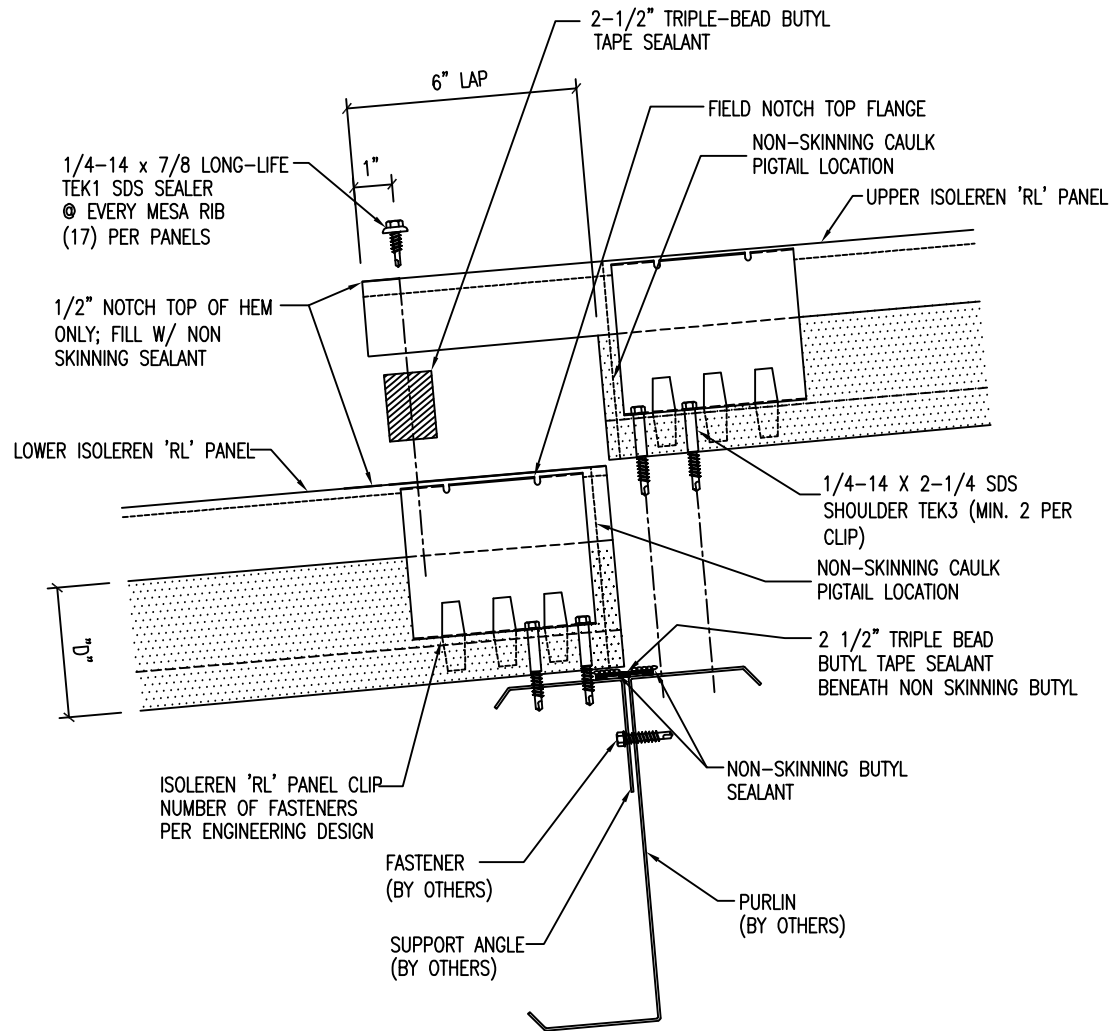
1. "D" = ROOF PANEL THICKNESS (AVAILABLE THICKNESS = 2.5, 3, 4, 5, OR 6)
2. FIELD REMOVE LINER AND INSULATION AT CUTBACK (FACTORY CUTBACK IS AVAILABLE).
3. DIMENSIONS SHOW ARE FOR 3" THICK ROOF PANEL. ADJUST DIMENSION PROPORTIONALLY FOR OTHER ROOF PANELS THICKNESS.
4. FILLER INSULATION MATERIAL AND APPLICATION IS SPECIFIED BY THE PROJECT DESIGNER.

** THE DETAIL SHOWN IS SUBJECT TO CHANGE WITHOUT NOTICE.



ATAS INTERNATIONAL, INC
Allentown PA
610-395-8445
Mesa AZ
480-558-7210

TITLE					Roof-Eave with Gutter		
DWG. NO.				DR	DATE		
MATERIAL				APP	DATE		
REV. NO.	DATE	DESCRIPTION OF REVISION	BY	APP	SH. SIZE	SCALE X:X	



NOTE:

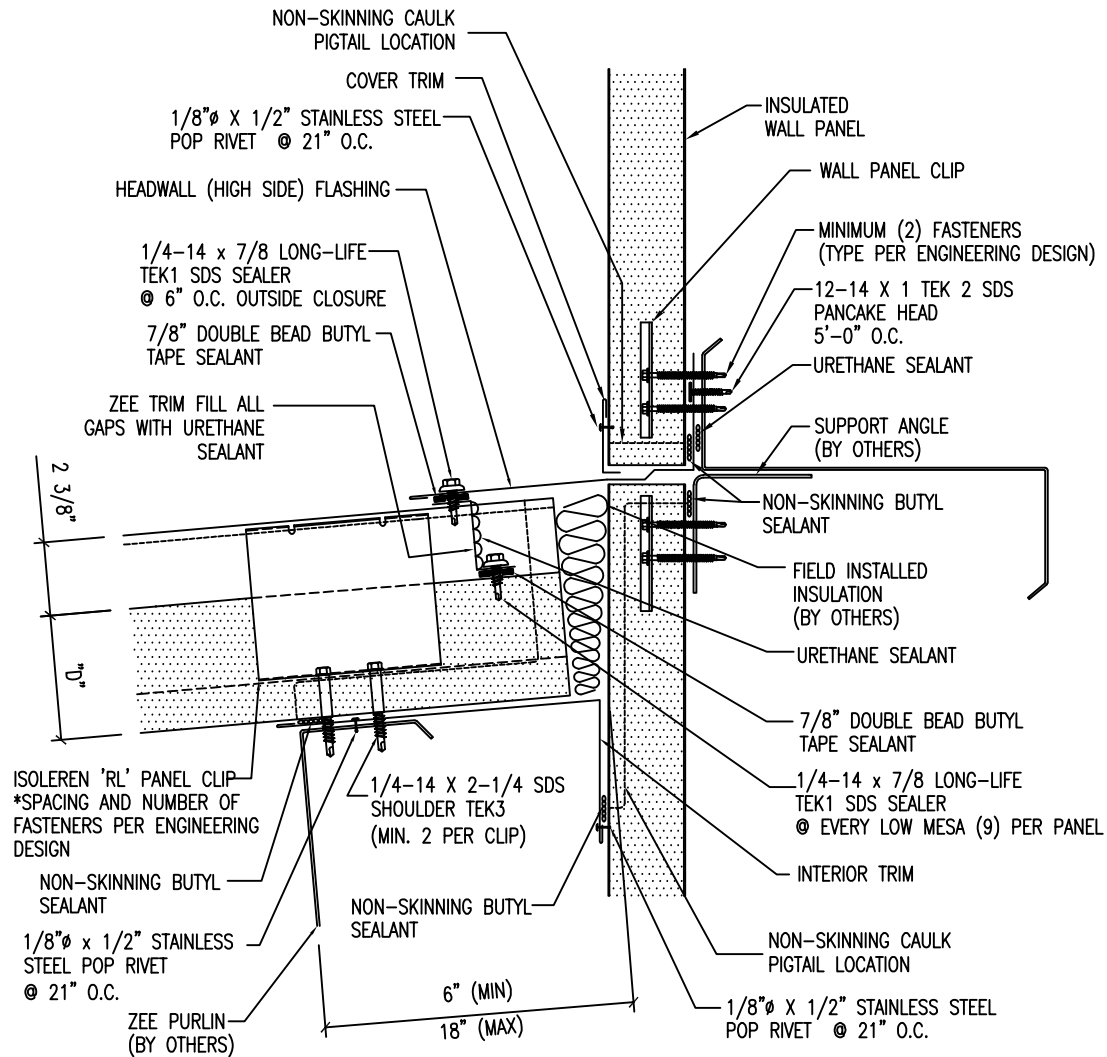
1. "D" = ROOF PANEL THICKNESS (AVAILABLE THICKNESS = 2.5, 3, 4, 5, OR 6)
2. FIELD REMOVE LINER AND INSULATION AT CUTBACK (FACTORY CUTBACK IS AVAILABLE).
3. DIMENSIONS SHOW ARE FOR 3" THICK ROOF PANEL. ADJUST DIMENSION PROPORTIONALLY FOR OTHER ROOF PANELS THICKNESS.

** THE DETAIL SHOWN IS SUBJECT TO CHANGE WITHOUT NOTICE.



ATAS INTERNATIONAL, INC
 Allentown PA
 610-395-8445
 Mesa AZ
 480-558-7210

					TITLE		Roof-End Lap	
					DWG. NO.		DR	DATE
					MATERIAL		APP	DATE
					REV. NO.		SH. SIZE	SCALE
							X:X	
REV. NO.	DATE	DESCRIPTION OF REVISION	BY	APP				



NOTE:

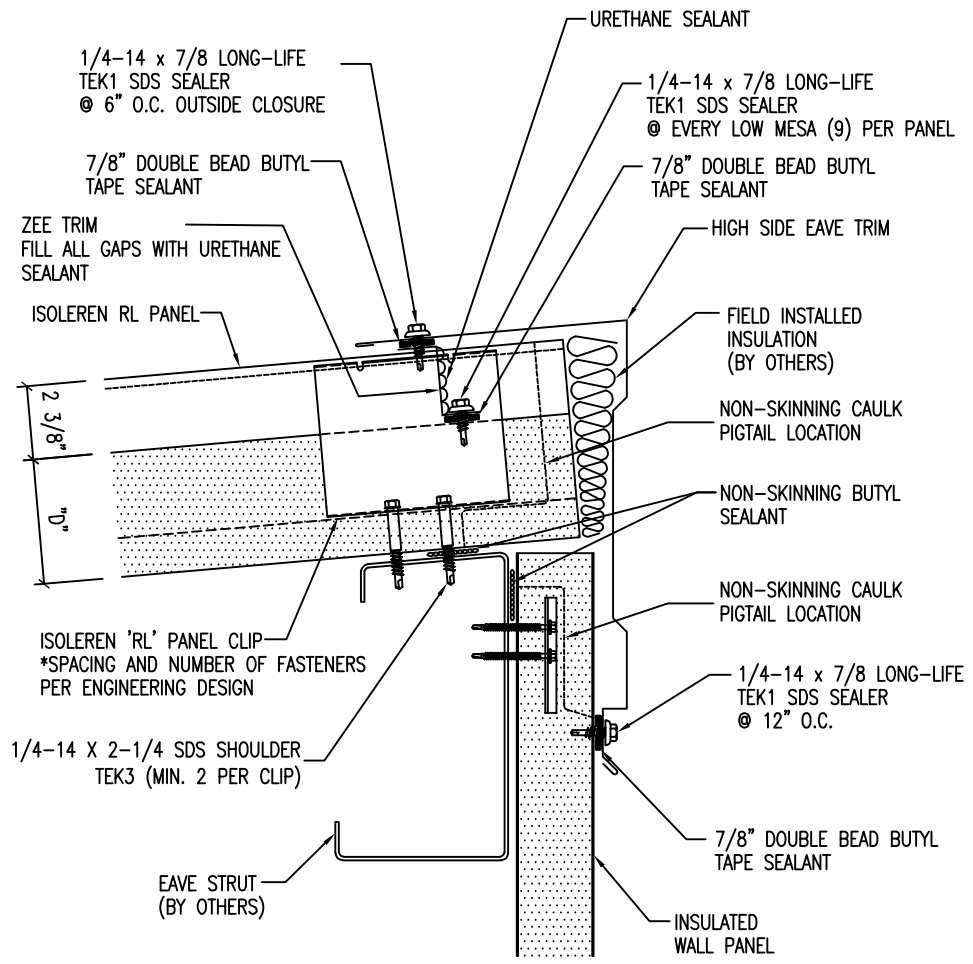
1. "D" = ROOF PANEL THICKNESS (AVAILABLE THICKNESS = 2.5, 3, 4, 5, OR 6)
2. DIMENSIONS SHOW ARE FOR 3" THICK ROOF PANEL. ADJUST DIMENSION PROPORTIONALLY FOR OTHER ROOF PANELS THICKNESS.
3. FILLER INSULATION MATERIAL AND APPLICATION IS SPECIFIED BY THE PROJECT DESIGNER.
4. TRANSITION FLASHING IS INSTALLED WITH A PITCH 1/2:12 GREATER THAN THE ROOF PITCH.

** THE DETAIL SHOWN IS SUBJECT TO CHANGE WITHOUT NOTICE.



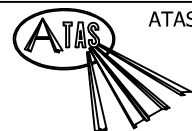
ATAS INTERNATIONAL, INC
 Allentown PA
 610-395-8445
 Mesa AZ
 480-558-7210

TITLE					Roof-Headwall		
DWG. NO.				DR	DATE		
MATERIAL				APP	DATE		
REV. NO.				SH. SIZE	SCALE		
				X:X			



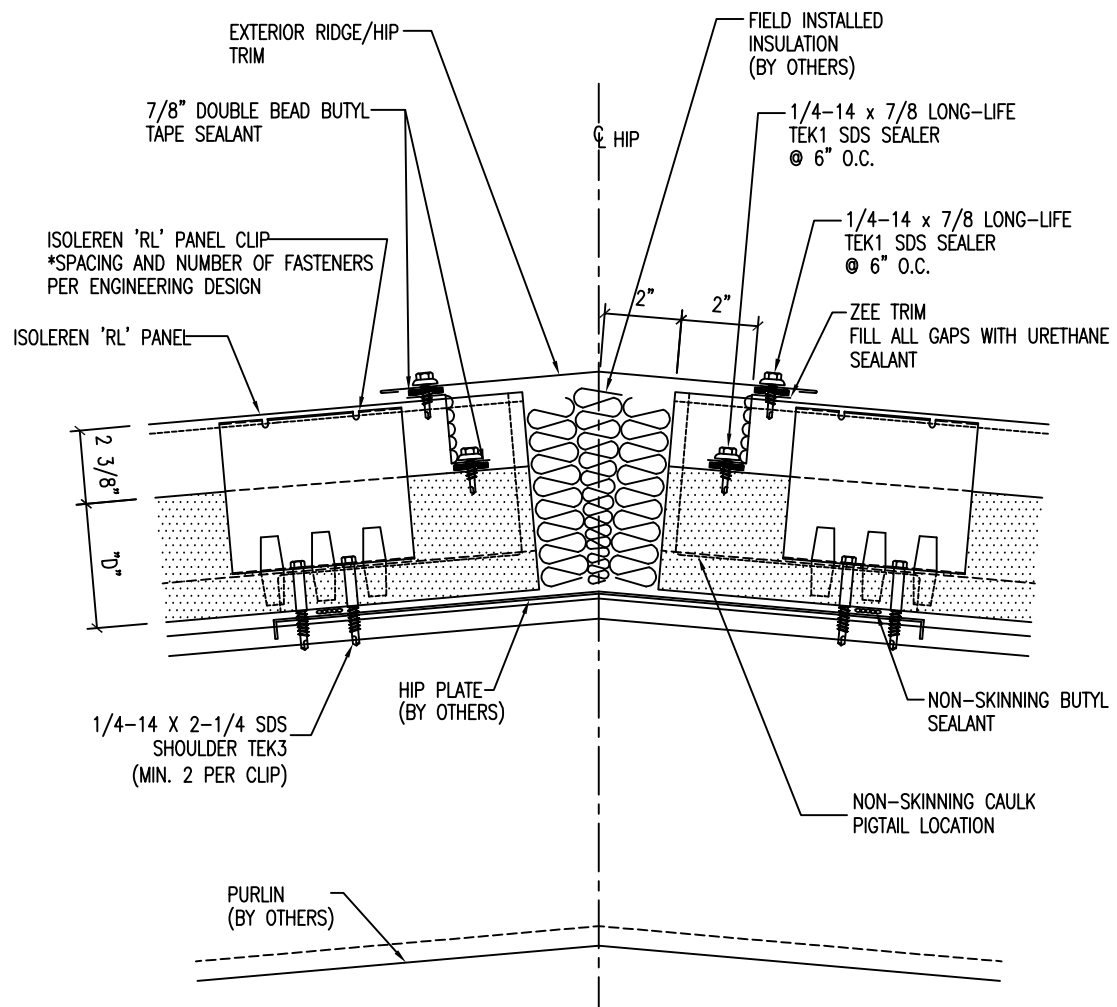
- NOTE:
1. "D" = ROOF PANEL THICKNESS (AVAILABLE THICKNESS = 2.5, 3, 4, 5, OR 6)
 2. DIMENSIONS SHOW ARE FOR 3" THICK ROOF PANEL. ADJUST DIMENSION PROPORTIONALLY FOR OTHER ROOF PANELS THICKNESS.
 3. FILLER INSULATION MATERIAL AND APPLICATION IS SPECIFIED BY THE PROJECT DESIGNER.
 4. TRANSITION FLASHING IS INSTALLED WITH A PITCH 1/2:12 GREATER THAN THE ROOF PITCH.

** THE DETAIL SHOWN IS SUBJECT TO CHANGE WITHOUT NOTICE.



ATAS INTERNATIONAL, INC
 Allentown PA
 610-395-8445
 Mesa AZ
 480-558-7210

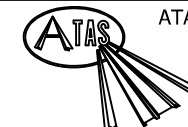
					TITLE		Roof-High Eave	
					DWG. NO.		DR	DATE
							APP	DATE
					MATERIAL		SH. SIZE	SCALE
REV. NO.	DATE	DESCRIPTION OF REVISION	BY	APP				X:X



NOTE:

1. "D" = ROOF PANEL THICKNESS (AVAILABLE THICKNESS = 2.5, 3, 4, 5 OR 6)
2. DIMENSIONS SHOW ARE FOR 3" THICK ROOF PANEL. ADJUST DIMENSION PROPORTIONALLY FOR OTHER ROOF PANELS THICKNESS.
3. FILLER INSULATION MATERIAL AND APPLICATION IS SPECIFIED BY THE PROJECT DESIGNER.

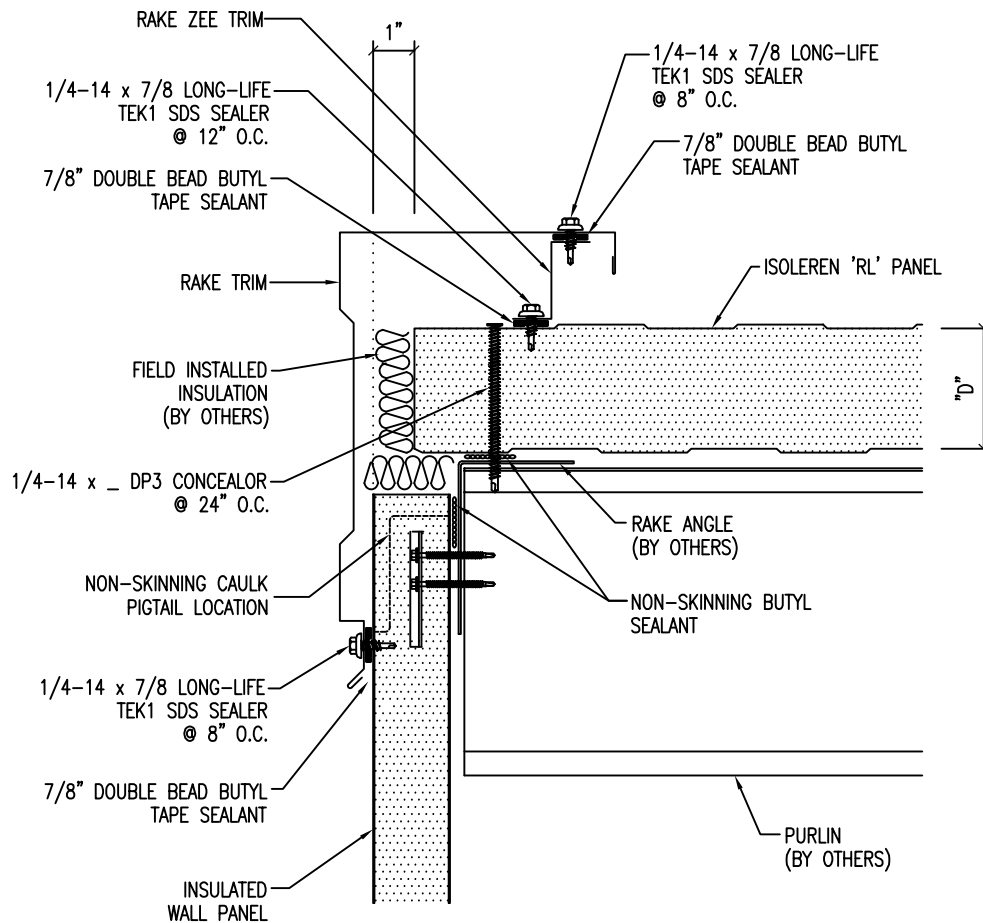
** THE DETAIL SHOWN IS SUBJECT TO CHANGE WITHOUT NOTICE.



ATAS INTERNATIONAL, INC

Allentown PA
610-395-8445
Mesa AZ
480-558-7210

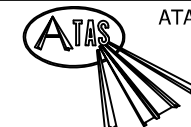
					TITLE		Roof-Hip	
					DWG. NO.		DR	DATE
							APP	DATE
					MATERIAL		SH. SIZE	SCALE
								X:X
REV. NO.	DATE	DESCRIPTION OF REVISION	BY	APP				



NOTE:

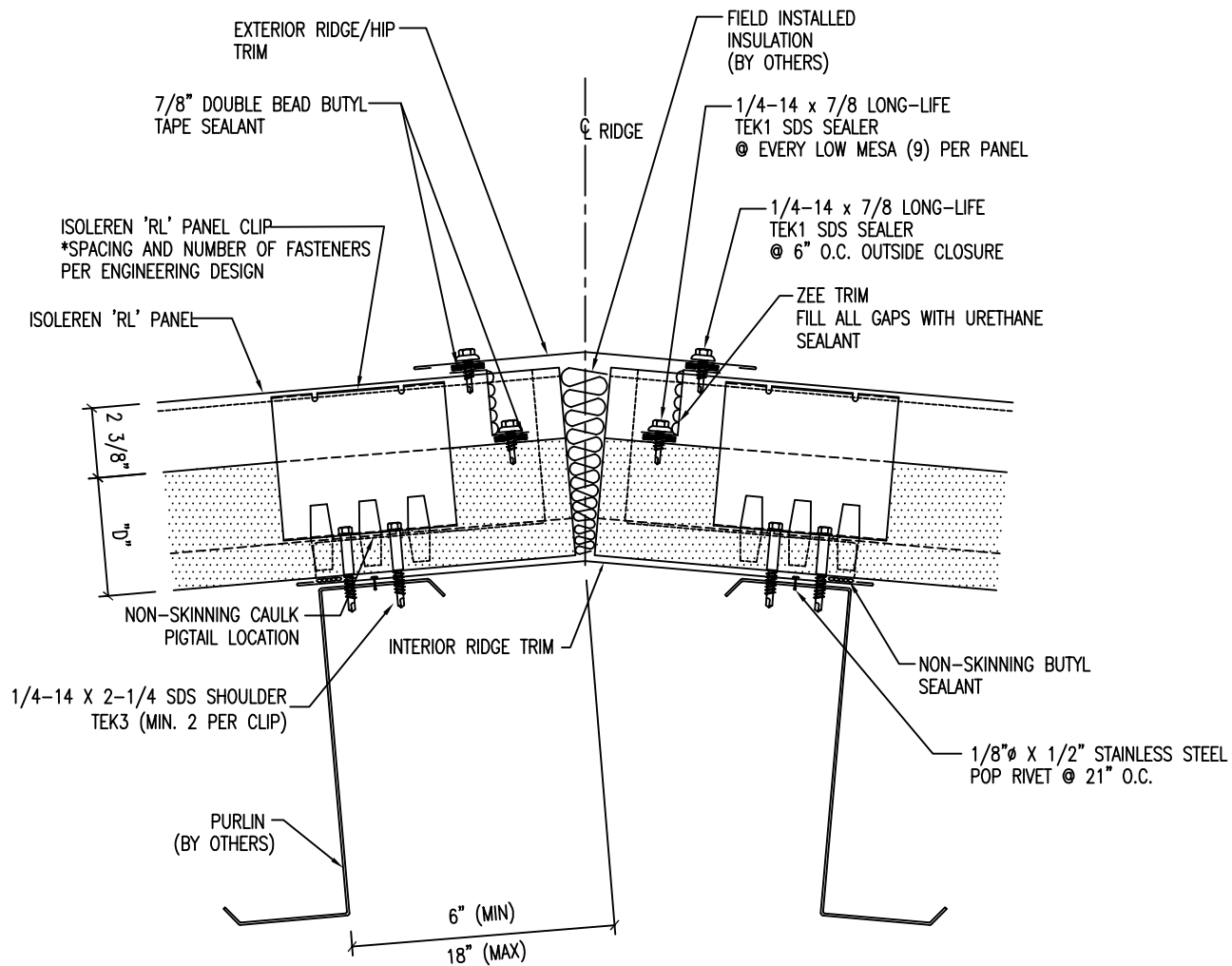
1. "D" = ROOF PANEL THICKNESS (AVAILABLE THICKNESS = 2.5, 3, 4, 5, OR 6)
2. DIMENSIONS SHOW ARE FOR 3" THICK ROOF PANEL. ADJUST DIMENSION PROPORTIONALLY FOR OTHER ROOF PANELS THICKNESS.
3. FILLER INSULATION MATERIAL AND APPLICATION IS SPECIFIED BY THE PROJECT DESIGNER.

** THE DETAIL SHOWN IS SUBJECT TO CHANGE WITHOUT NOTICE.



ATAS INTERNATIONAL, INC
 Allentown PA
 610-395-8445
 Mesa AZ
 480-558-7210

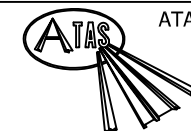
					TITLE		Roof-Rake at Wall (Gable)	
					DWG. NO.		DR	DATE
							APP	DATE
					MATERIAL		SH. SIZE	SCALE
								X:X
REV. NO.	DATE	DESCRIPTION OF REVISION	BY	APP				



NOTE:

1. "D" = ROOF PANEL THICKNESS (AVAILABLE THICKNESS = 2.5, 3, 4, 5, OR 6)
2. DIMENSIONS SHOW ARE FOR 3" THICK ROOF PANEL. ADJUST DIMENSION PROPORTIONALLY FOR OTHER ROOF PANELS THICKNESS.
3. FILLER INSULATION MATERIAL AND APPLICATION IS SPECIFIED BY THE PROJECT DESIGNER.

** THE DETAIL SHOWN IS SUBJECT TO CHANGE WITHOUT NOTICE.

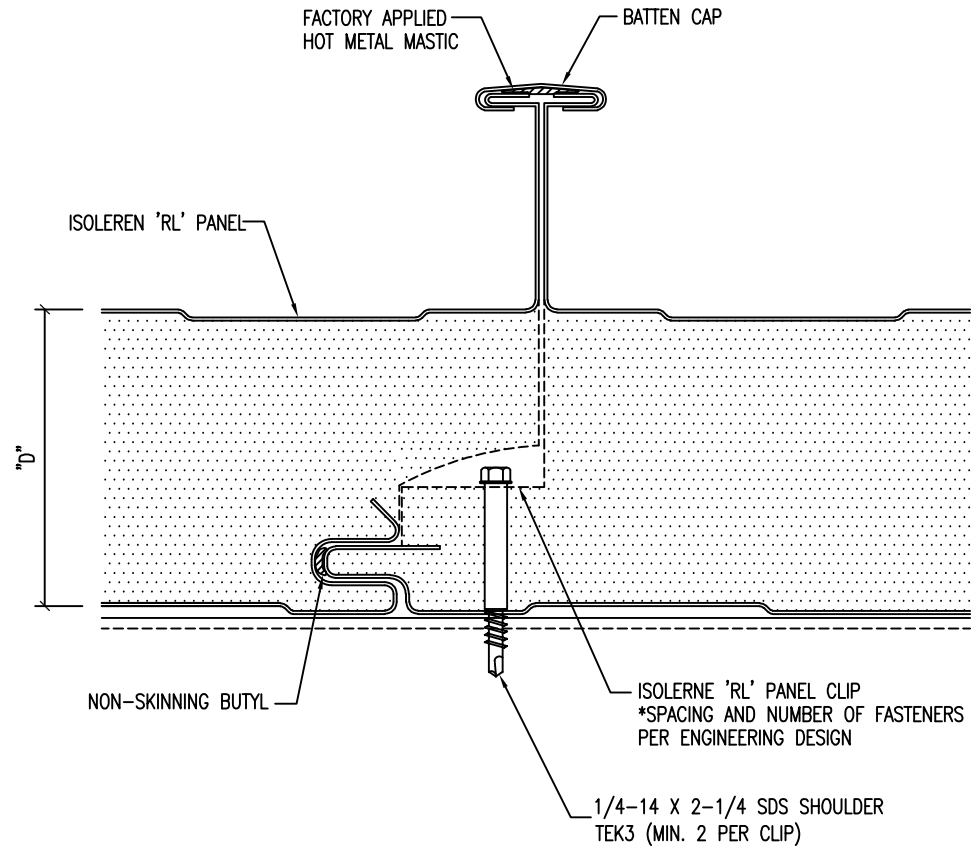


ATAS INTERNATIONAL, INC
 Allentown PA
 610-395-8445
 Mesa AZ
 480-558-7210

					TITLE		Roof-Ridge	
					DWG. NO.		DR	DATE
					MATERIAL		APP	DATE
REV. NO.	DATE	DESCRIPTION OF REVISION	BY	APP			SH. SIZE	SCALE X:X

NOTE: DO NOT OVER DRIVE FASTENERS.

FASTENING SCHEDULE WILL VARY
DEPENDING ON SPECIFIC APPLICATION



NOTE:

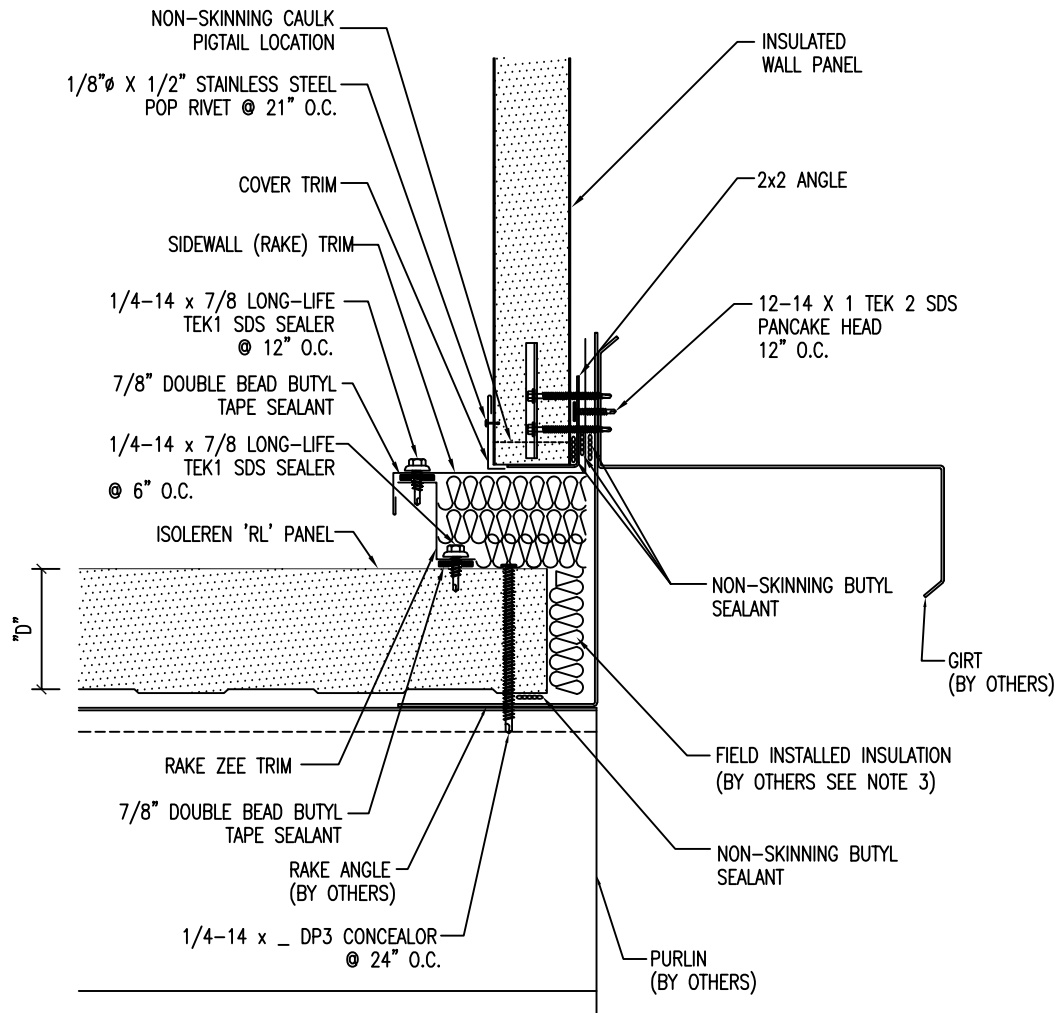
- "D" = ROOF PANEL THICKNESS (AVAILABLE THICKNESS = 2.5, 3, 4, 5, OR 6)

** THE DETAIL SHOWN IS SUBJECT TO CHANGE WITHOUT NOTICE.



ATAS INTERNATIONAL, INC
Allentown PA
610-395-8445
Mesa AZ
480-558-7210

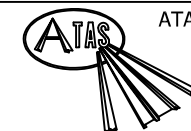
					TITLE		Roof-Side Lap	
					DWG. NO.		DR	DATE
					MATERIAL		APP	DATE
REV. NO.	DATE	DESCRIPTION OF REVISION	BY	APP			SH. SIZE	SCALE X:X



NOTE:

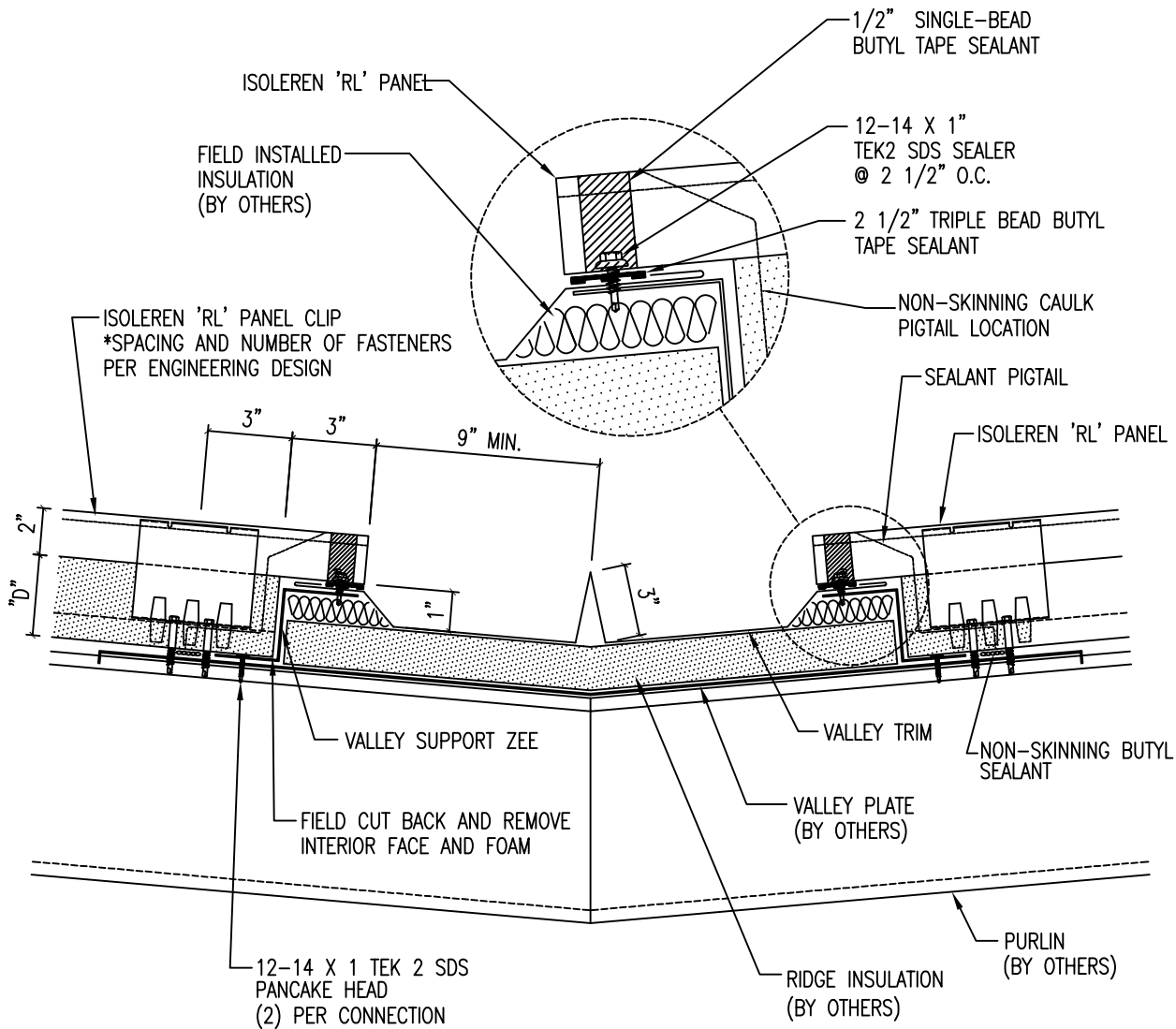
1. "D" = ROOF PANEL THICKNESS (AVAILABLE THICKNESS = 2.5, 3, 4, 5, OR 6)
2. "W" = WALL PANEL THICKNESS.
3. FILLER INSULATION MATERIAL AND APPLICATION IS SPECIFIED BY THE PROJECT DESIGNER
4. DIMENSIONS SHOW ARE FOR 3" THICK ROOF PANEL. ADJUST DIMENSION PROPORTIONALLY FOR OTHER ROOF PANELS THICKNESS.
5. TRANSITION FLASHING IS INSTALLED WITH A PITCH 1/2:12 GREATER THAN THE ROOF PITCH.

** THE DETAIL SHOWN IS SUBJECT TO CHANGE WITHOUT NOTICE.



ATAS INTERNATIONAL, INC
 Allentown PA
 610-395-8445
 Mesa AZ
 480-558-7210

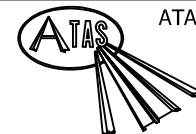
					TITLE		Roof-Sidewall	
					DWG. NO.		DR	DATE
					MATERIAL		APP	DATE
					REV. NO.		SH. SIZE	SCALE
							X:X	



NOTES:

1. "D" = ROOF PANEL THICKNESS (AVAILABLE THICKNESS = 2.5, 3, 4, 5, OR 6)
2. FILLER INSULATION MATERIAL AND APPLICATION IS SPECIFIED BY THE PROJECT DESIGNER.
3. VALLEY CONDITIONS ARE NOT RECOMMENDED FOR APPLICATIONS WITH ROOF PITCH LESS THAN 3:12.
4. THE VALLEY PAN WIDTH VARIES WITH THE ROOF'S DRAINAGE REQUIREMENTS.
5. RECOMMENDED VALLEY PAN IS 16 GA. MIN. STEEL, WELDED WATER-TIGHT AND COATED OR LINED WITH MEMBRANE.

** THE DETAIL SHOWN IS SUBJECT TO CHANGE WITHOUT NOTICE.



ATAS INTERNATIONAL, INC

Allentown PA
610-395-8445
Mesa AZ
480-558-7210

REV. NO.		DATE	DESCRIPTION OF REVISION	BY	APP	TITLE		Roof-Valley	
						DWG. NO.	DR	DATE	
						MATERIAL	APP	DATE	
							SH. SIZE	SCALE	X:X