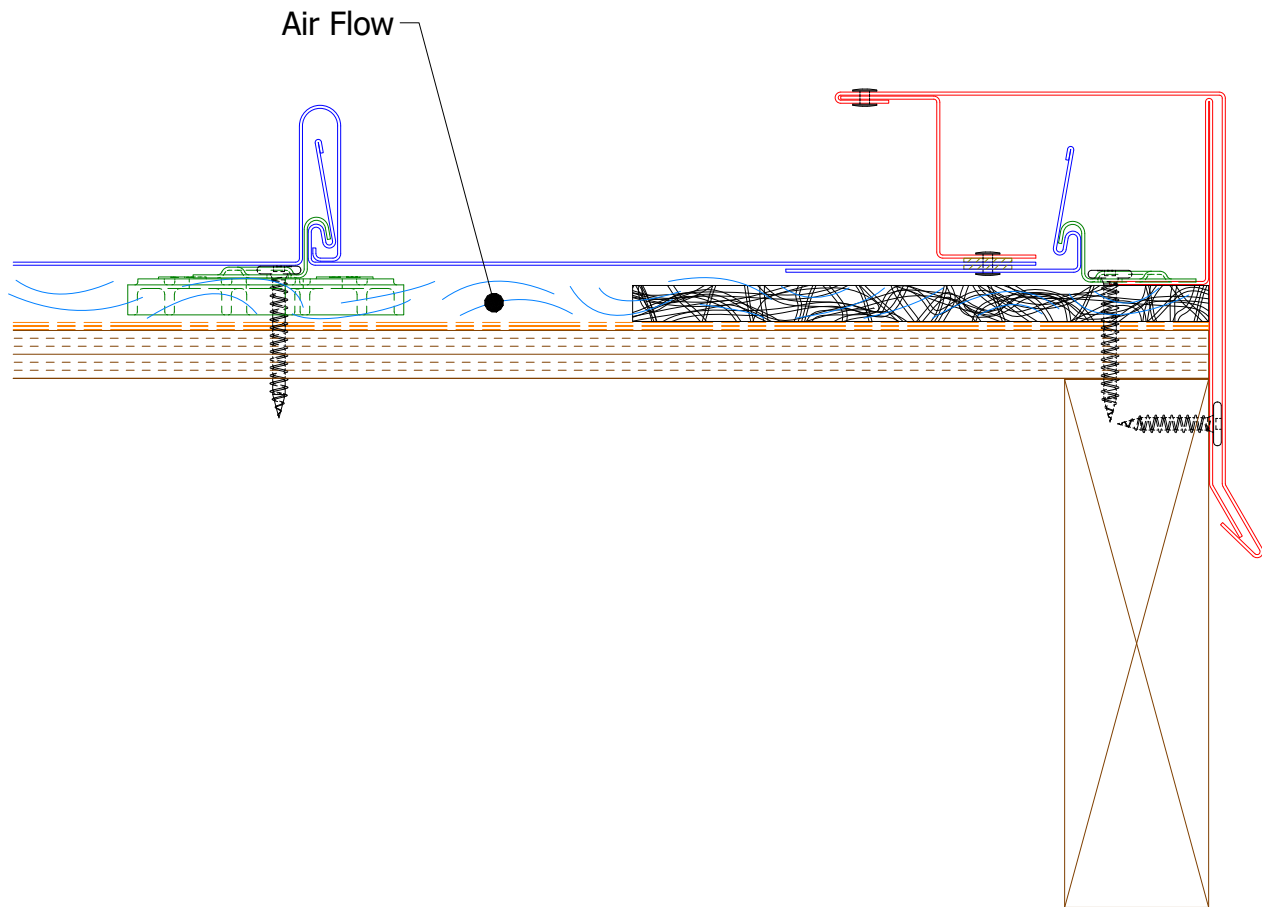
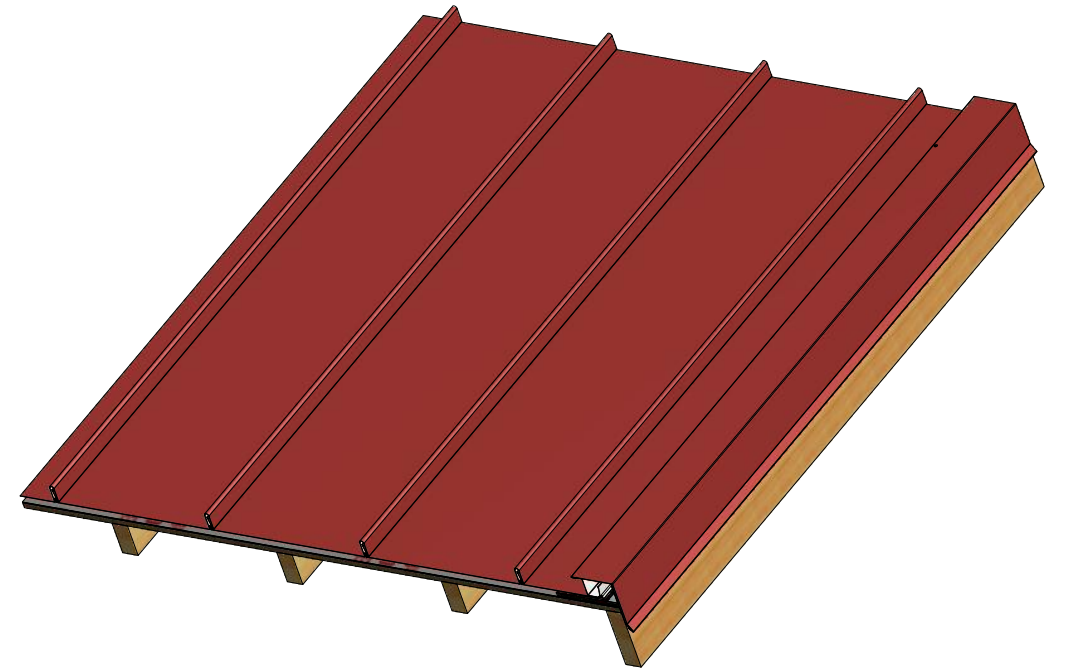
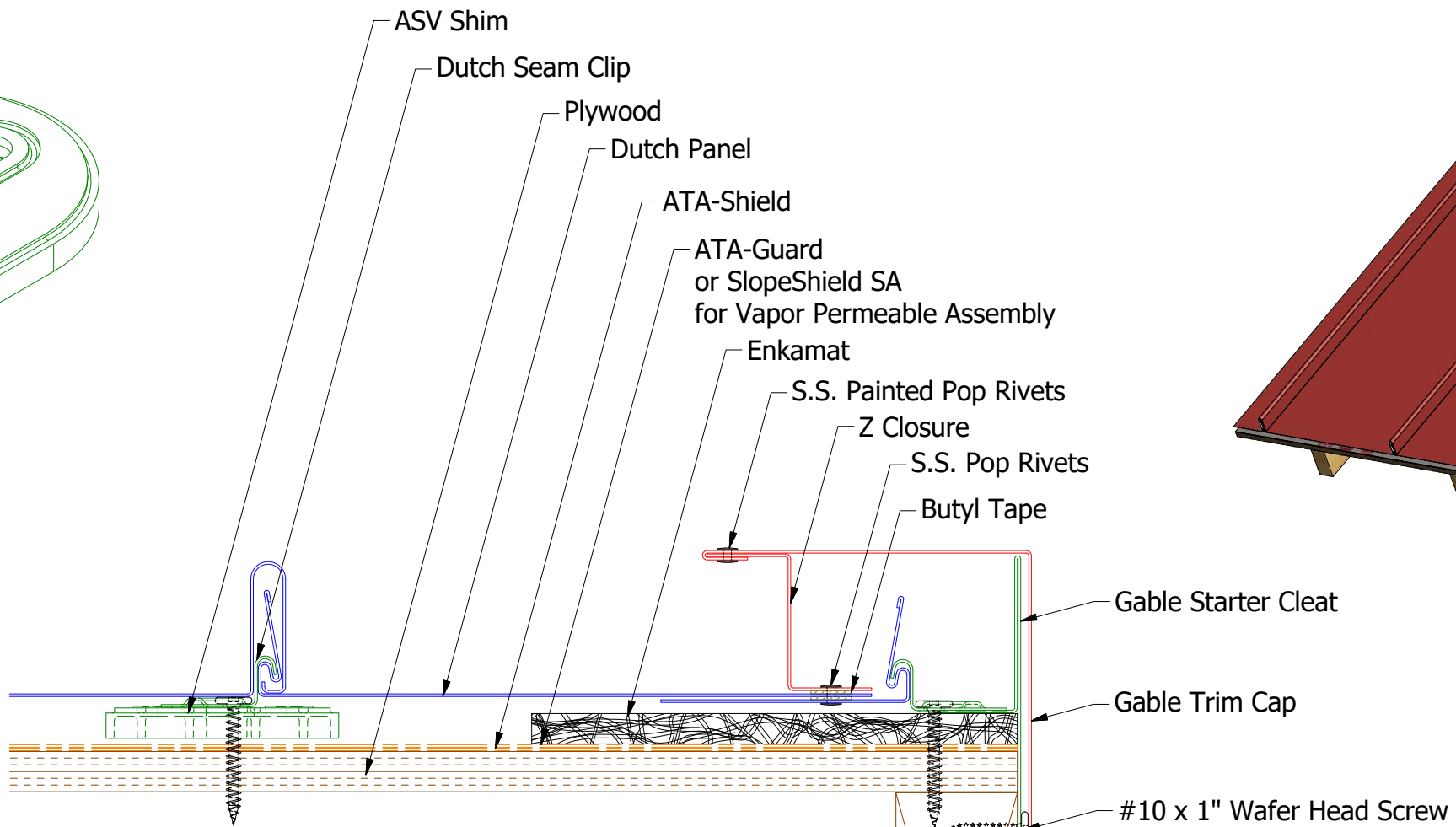
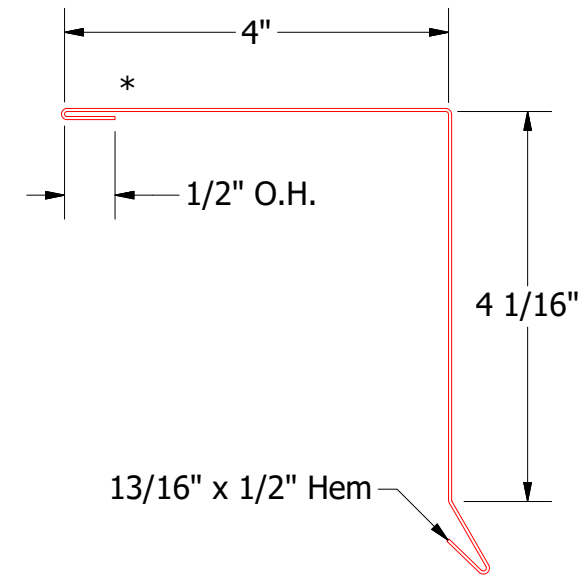


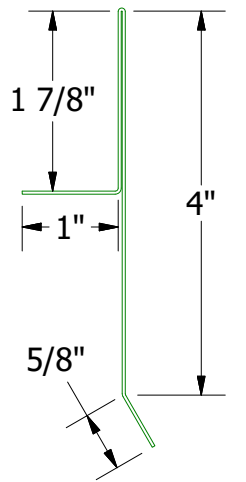
ASV Shim



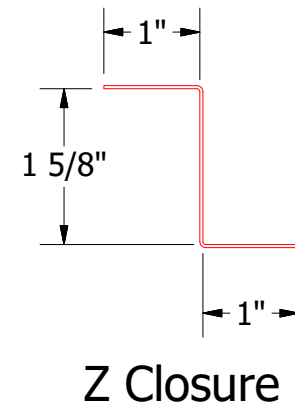
Air Flow



Gable Trim Cap



Gable Starter Cleat



Z Closure

Note: \* denotes color side.

**ATAS** ATAS INTERNATIONAL, INC  
 Allentown PA  
 610-395-8445  
 Mesa AZ  
 480-558-7210

TITLE				Dutch Seam ASV Gable Detail		
DWG. NO.		DR	MBP	DATE	7/26/2017	
REV. NO.	01	DATE	5/1/2024	APP	KRK	SCALE
		DESCRIPTION OF REVISION	Updated Trim Dimensions and Underlayment Description			
		BY	APP	SH. SIZE	B	SCALE
						X:X