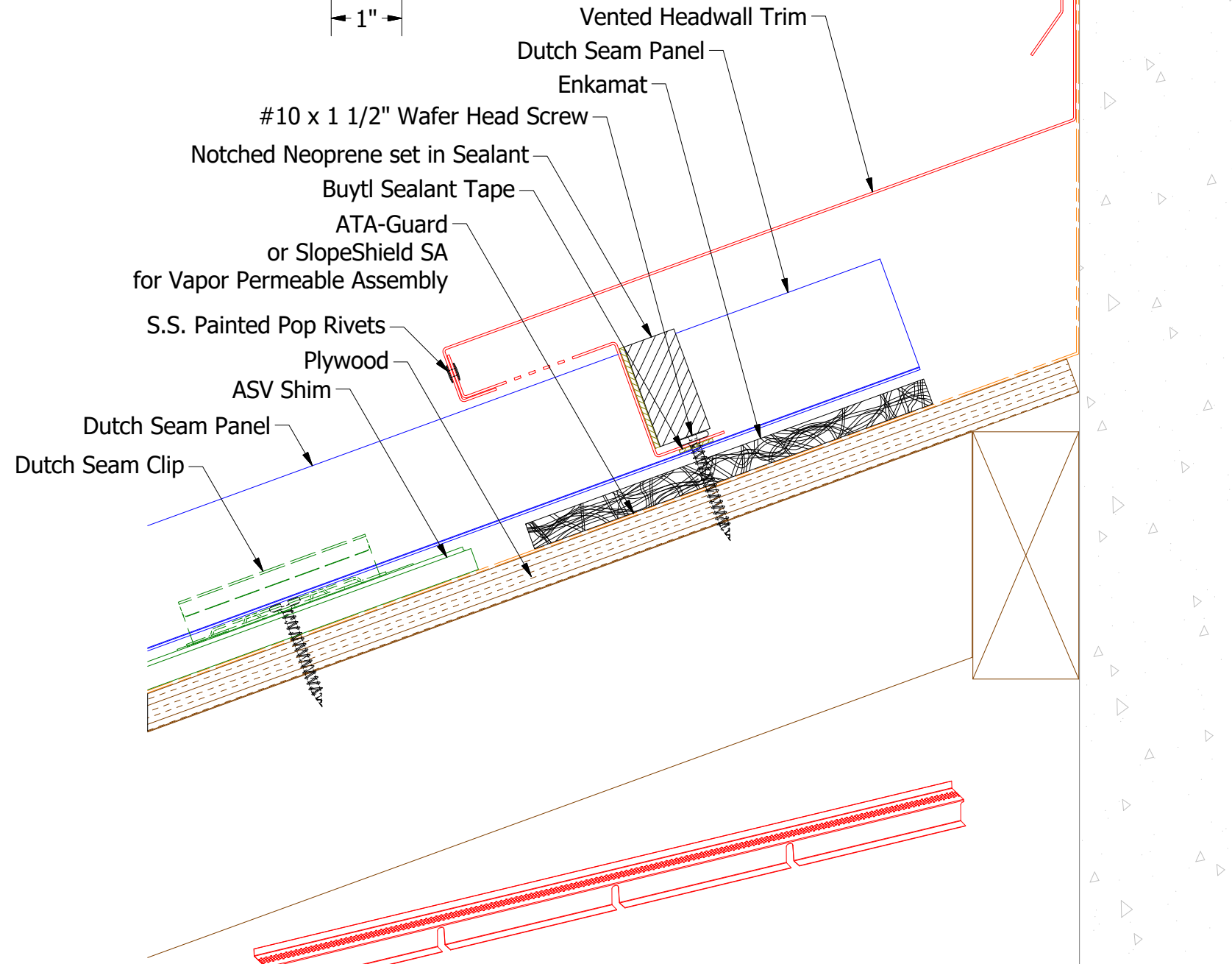


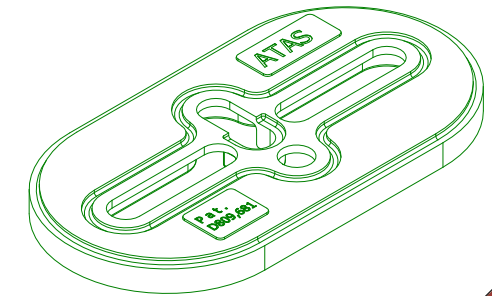
Vented Z Closure



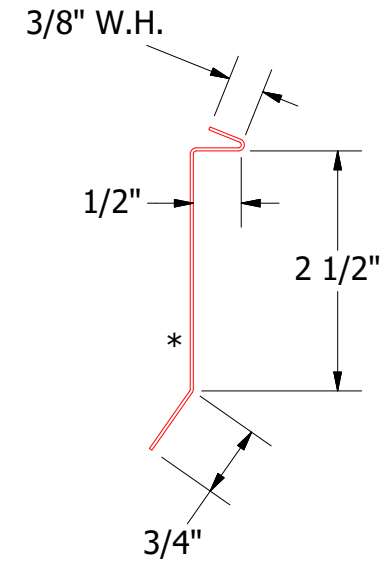
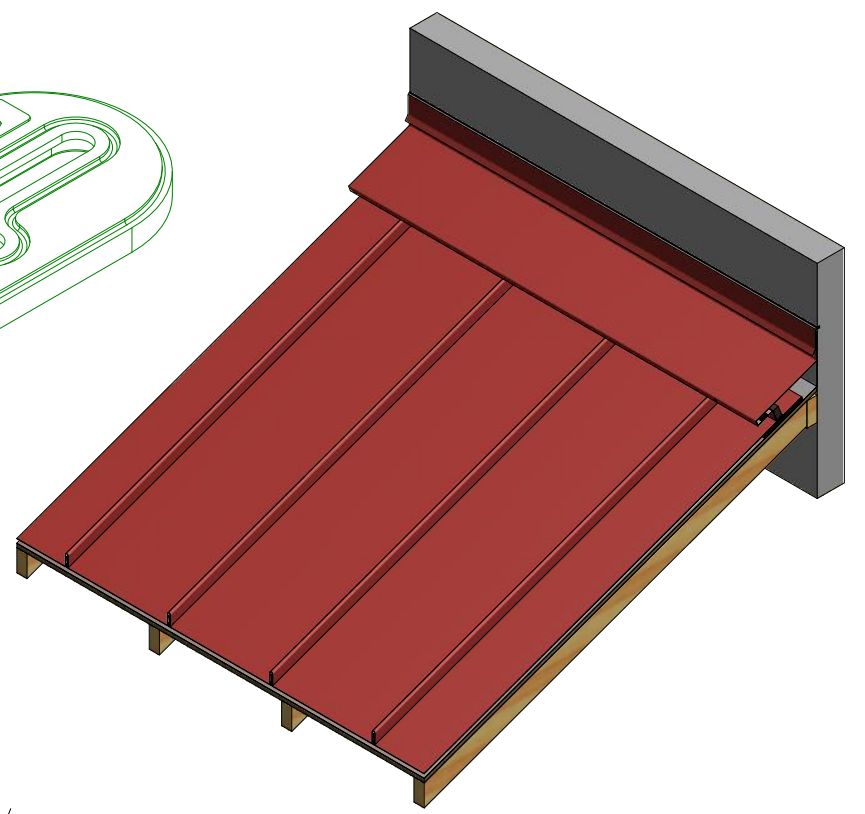
**Factory Vented Pre Notched Z Closure**

11" Panel - Factory Vented Pre Notched Z Closure will cover 5 Panels.  
 15" Panel - Factory Vented Pre Notched Z Closure will cover 4 Panels.  
 19 1/4" Panel - Factory Vented Pre Notched Z Closure will cover 3 Panels.

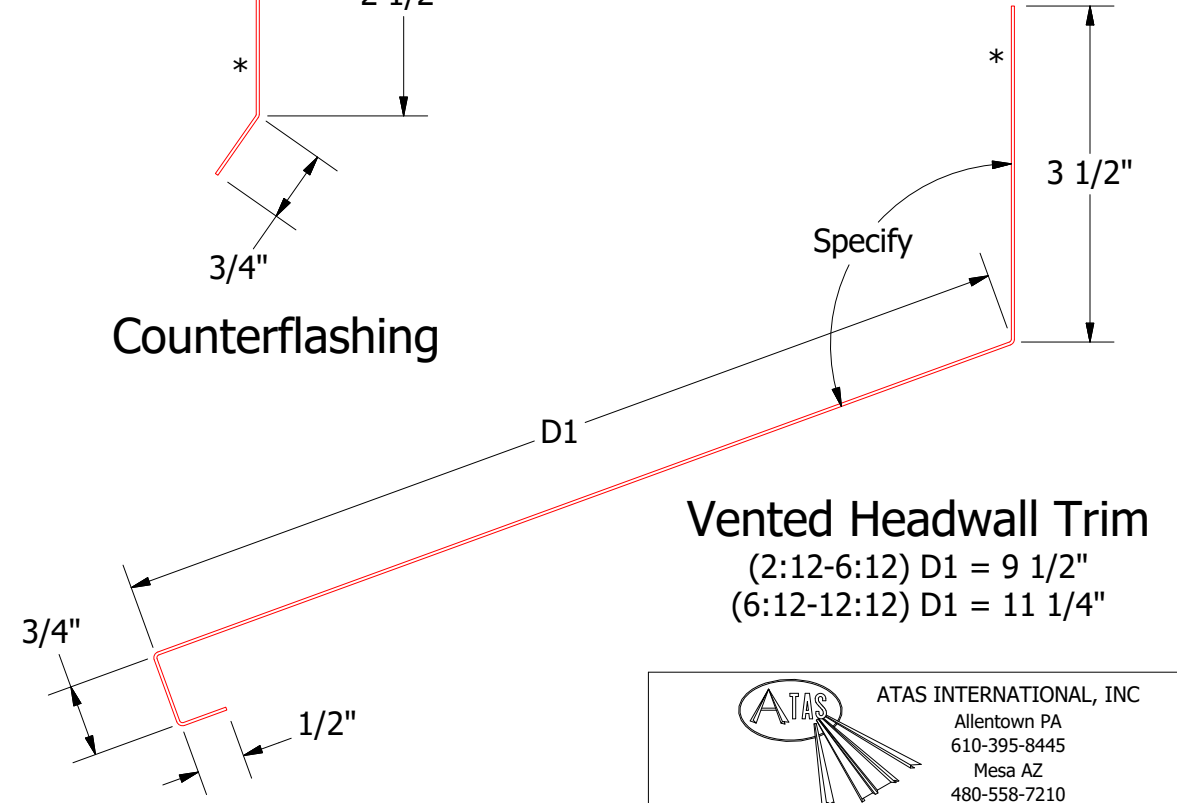
Note: \* denotes color side.  
 Note: Neoprene Closures are not required if Factory Pre Notched Z Closures are utilized.



ASV Shim



Counterflashing



**Vented Headwall Trim**

(2:12-6:12) D1 = 9 1/2"  
 (6:12-12:12) D1 = 11 1/4"

**ATAS** ATAS INTERNATIONAL, INC  
 Allentown PA  
 610-395-8445  
 Mesa AZ  
 480-558-7210

REV. NO.	DATE	DESCRIPTION OF REVISION	BY	APP	MATERIAL	SH. SIZE	SCALE
02	5/7/2024	Updated Trim Dimensions and Underlayment Description	KRK		DWG. NO.	DR	DATE
1	7/24/19	Updated Substrate and Assembly	AJZ	KRK		MBP	7/26/2017
						APP	DATE
						B	X:X

TITLE Dutch Seam ASV Headwall Detail