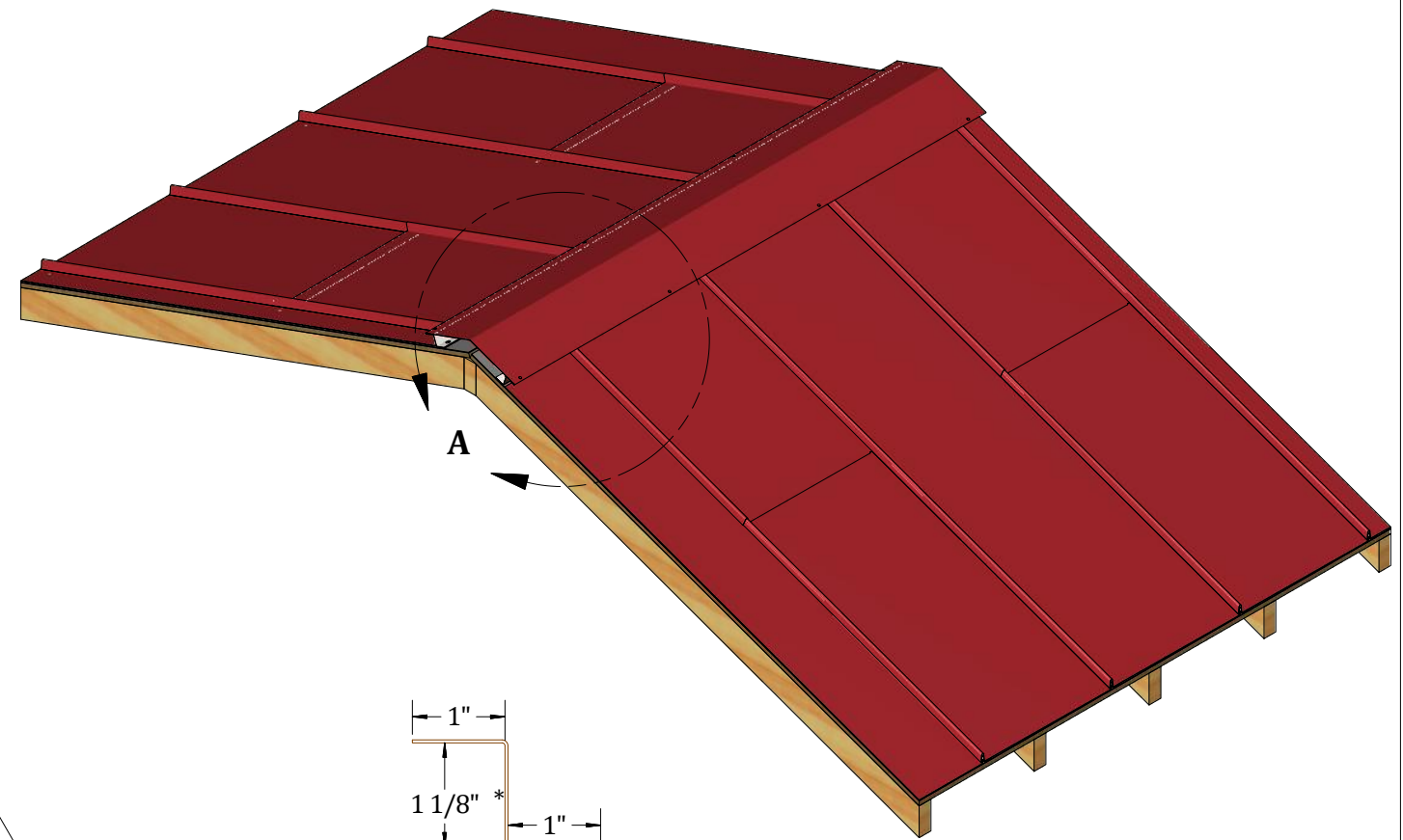


(4x) Fasteners per Roof Panel

DETAIL - A



A

(HSS168) Standing Seam Shingles 16-3/8" x 36"  
 (HSS169) Standing Seam Shingles 16-3/8" x 60"

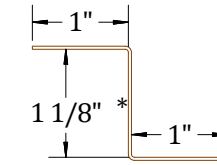
S.S. Painted Pop Rivet

Z-Closure 1-1/8"

Ridge Cap

#10 x 1-1/8"  
ULP Pancake Head Screw

Butyl Sealant Tape



Z-Closure

1/2"  
O.H.

Ridge Cap

[2:12 - 4:12] : D1 = 5-15/16"  
 [5:12 - 8:12] : D1 = 6-15/16"  
 [9:12 - 12:12] : D1 = 7-15/16"

D1

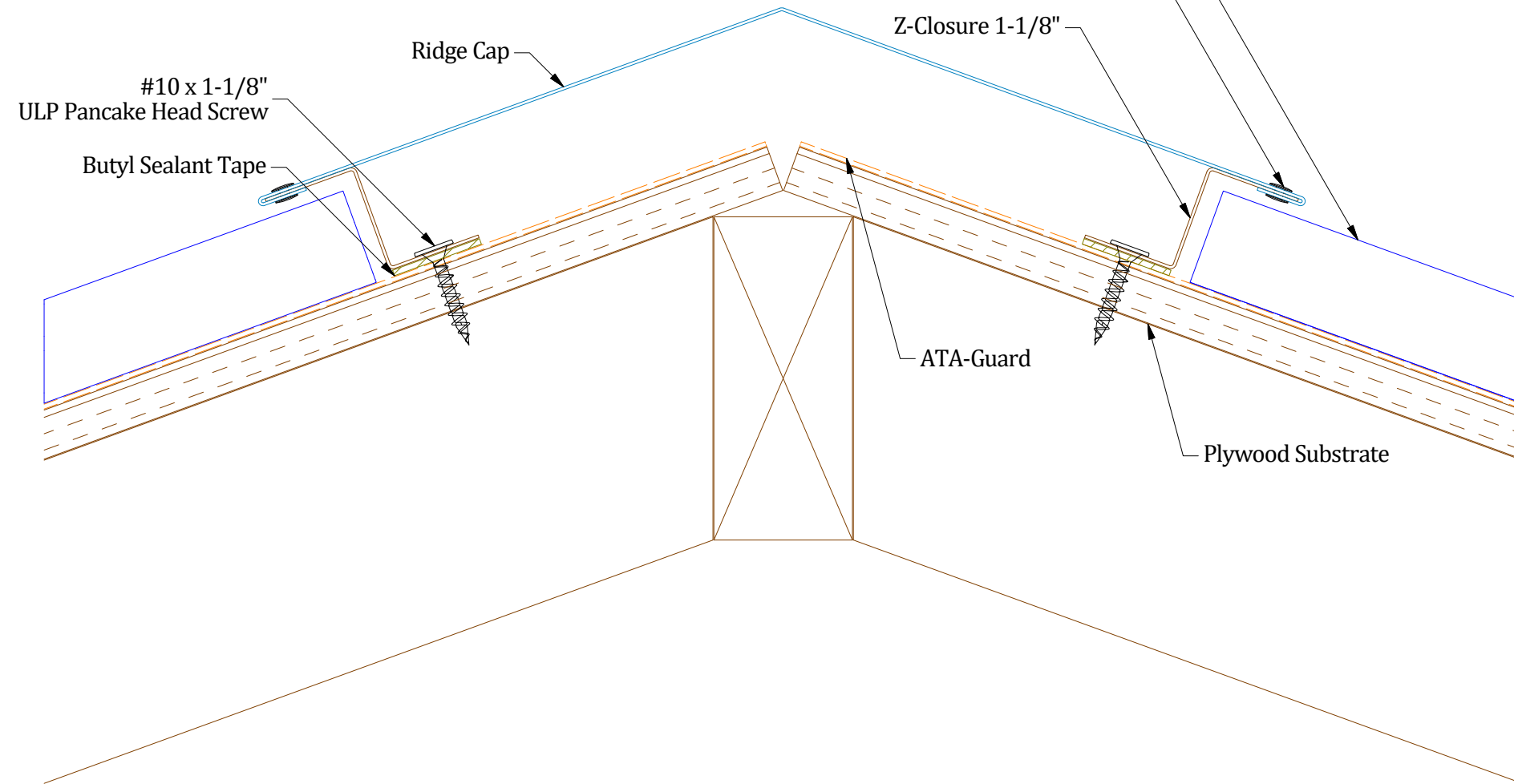
Verify Slope

Ridge Splice

[2:12 - 4:12] : D1 = 5-15/16"  
 [5:12 - 8:12] : D1 = 6-15/16"  
 [9:12 - 12:12] : D1 = 7-15/16"

D1

Verify Slope



**Notes:**

\* Denotes colored side.

**ATAS International, Inc.**  
 Sustainable Solutions For A Better Future  
 www.atas.com | info@atas.com  
 800.468.1441

REV. NO.	DATE	DESCRIPTION OF REVISION	BY	APP	PANELS/PRODUCT:	DWG No.	DWG DATE:
3	6/11/2025	Replaced Modest (HSS164 & HSS165) with (HSS168 & HSS169) with HCS Interlock. Updated info accordingly.	M.L.P.	J.B.	Standing Seam Shingles	K.R.K.	11/26/2014
2	11/19/2020	Changed Fastener to ULP Pancake Head Fastener	J.B.	K.R.K.			
1	6/11/2019	Updated Substrate and Clip Information.	A.J.Z.	K.R.K.			
						SHEET SIZE:	SCALE:
						B	X : X

DWG TITLE: HSS168 & HSS169 Alt. Ridge Detail