

(HSS168) Standing Seam Shingle 16-3/8" x 36"  
 (HSS169) Standing Seam Shingle 16-3/8" x 60"

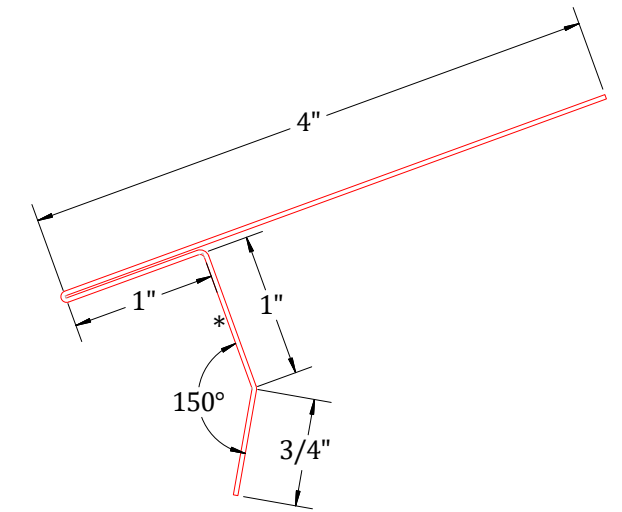
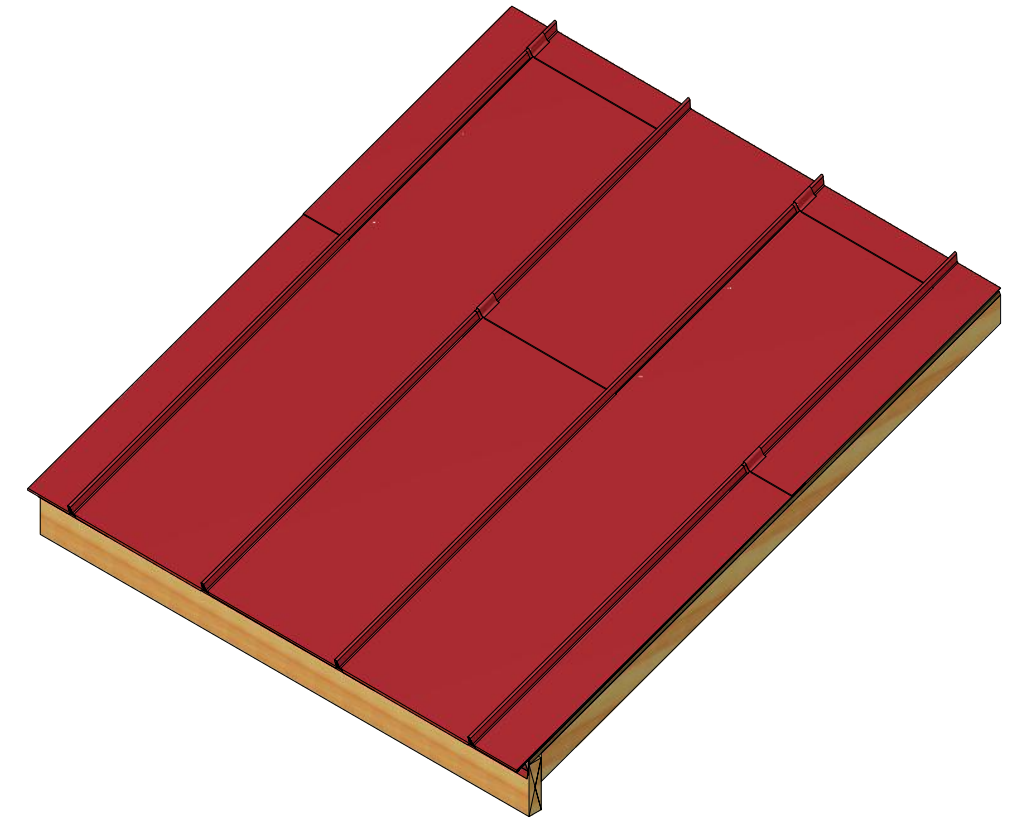
#10 x 1-1/8"  
 ULP Pancake Head Screw

Plywood Substrate

ATA-Guard  
 \*Over Flat Eave Trim & Fastener

ATA-Shield  
 \*\*1 width of roll up roof.

Flat Eave Trim



Flat Eave Trim

**Notes:**

\* Denotes colored side.

**ATAS International, Inc.**  
 Sustainable Solutions For A Better Future  
 www.atas.com | info@atas.com  
 800.468.1441

3	5/29/2025	Replaced Modest (HSS164 & HSS165) with (HSS168 & HSS169) with HCS Interlock. Updated info accordingly.	M.L.P.	J.B.	DWG TITLE: <b>HSS168 &amp; HSS169 Eave Detail</b>	
2	11/18/2020	Changed Fastener to ULP Pancake Head Fastener	K.R.K.	J.B.	DWG No:	DWG DATE: 11/24/2014
1	6/10/2019	Updated Substrate and Clip Information.	A.J.Z.	K.R.K.	APP BY: J.B.	APP DATE: 11/24/2014
REV. NO.	DATE	DESCRIPTION OF REVISION	BY	APP	PANELS/PRODUCT: <b>Standing Seam Shingles</b>	SHEET SIZE: B SCALE: X : X