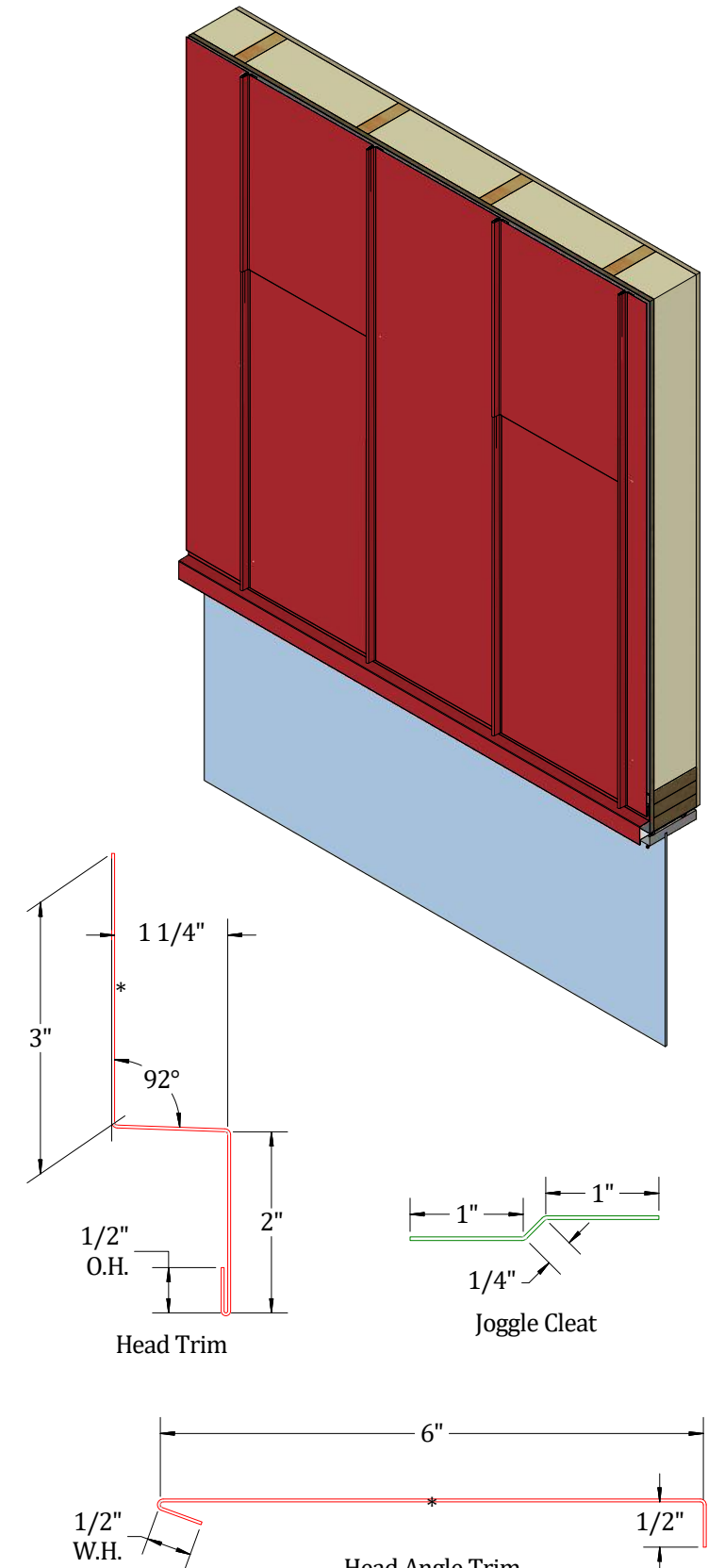
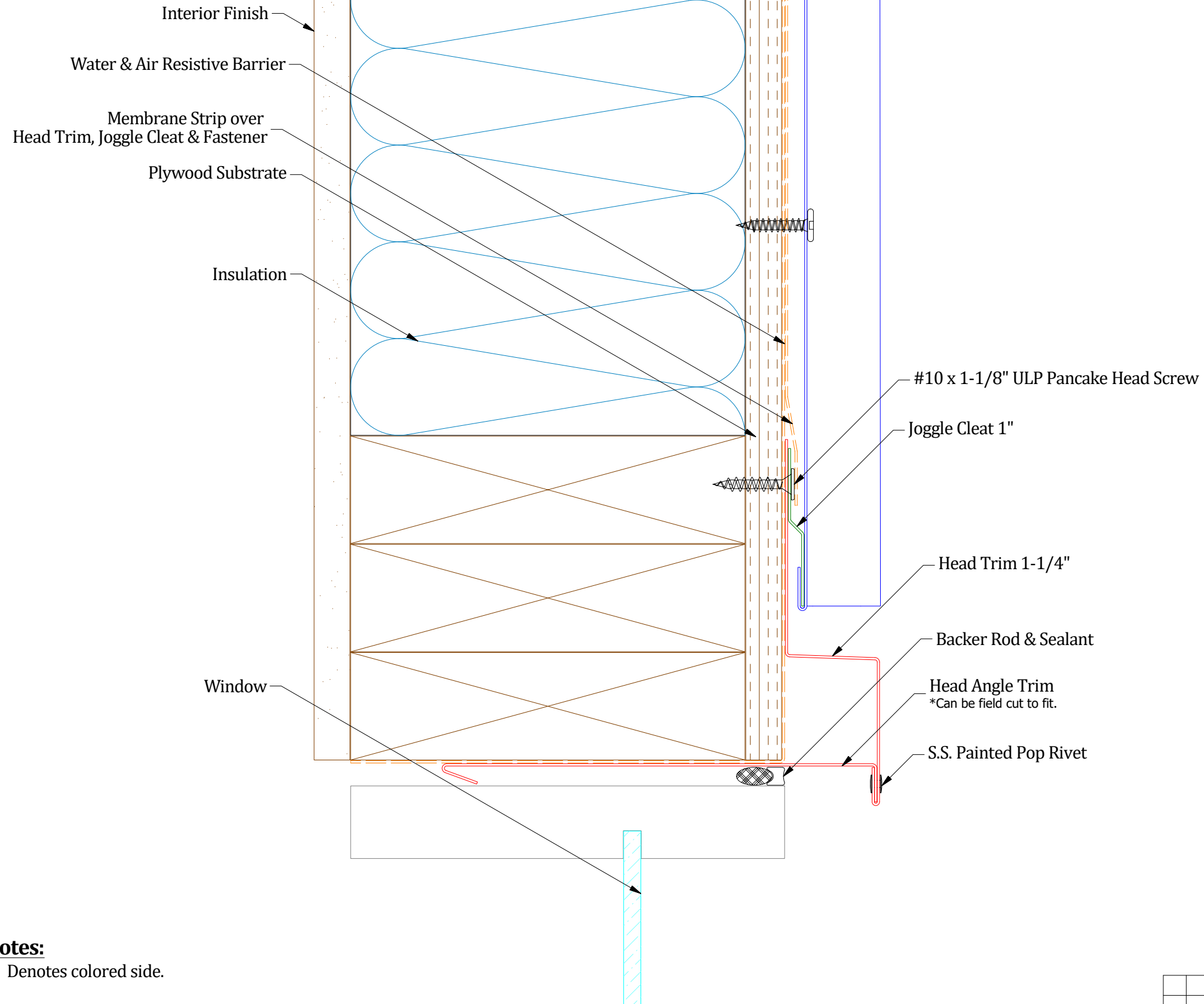


Vertical



Notes:
* Denotes colored side.

ATAS **ATAS International, Inc.**
Sustainable Solutions For A Better Future
www.atas.com | info@atas.com
800.468.1441

REV. NO.		DATE	DESCRIPTION OF REVISION	BY	APP	DWG TITLE: HSS168 & HSS169 Window Head Detail	
1	6/20/2025		Replaced models (HSS164 & HSS165) with (HSS168 & HSS169) with HCS Interlock updated info accordingly.	M.L.P.	J.B.	DWG No:	DWG DATE: 4/6/2020
PANELS/PRODUCT: Standing Seam Shingles						APP BY: J.B.	APP DATE: 4/6/2020
						SHEET SIZE: B	SCALE: X : X