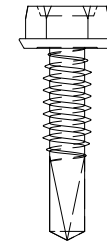
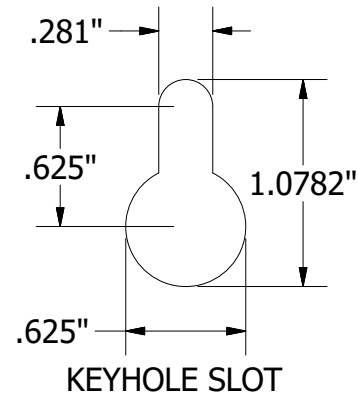
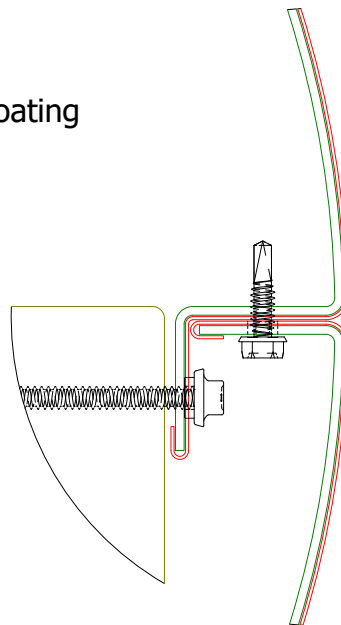
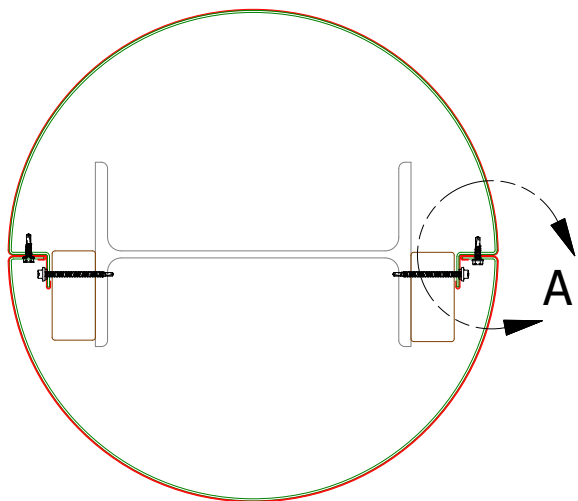


**Materials:**

18Ga 55% Al-Zn Alloy Coated Steel with Acrylic Coating  
 .032 Aluminum Shroud, Customer Specified Color



#14 X 1" HWH-T A  
18-8 STAINLESS

**DETAIL A**

 <b>ATAS INTERNATIONAL, INC</b> Allentown PA 610-395-8445 Mesa AZ 480-558-7210		DR	DATE
		WH	8/18/2025
TITLE		APP	DATE
<b>HAIRLINE COLUMN COVER</b>		SH. SIZE	SCALE
		A	X:X

REV. NO.	DATE	DESCRIPTION OF REVISION	BY	APP