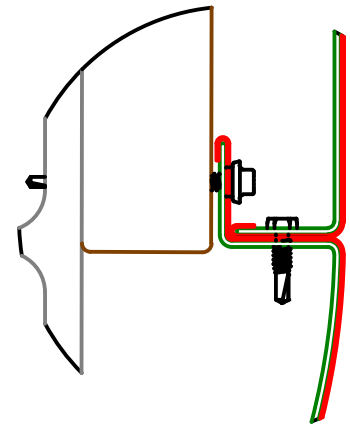
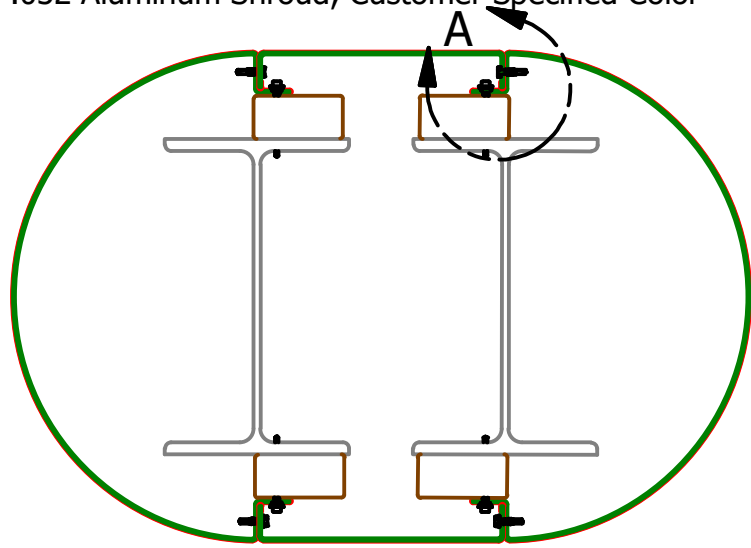
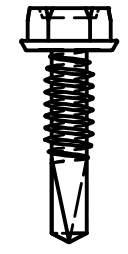
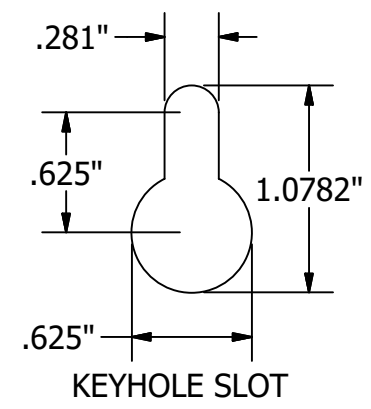



**Materials:**  
 18Ga 55% Al-Zn Alloy Coated Steel with Acrylic Coating  
 .032 Aluminum Shroud, Customer Specified Color



DETAIL A



#14 X 1" HWH-T A  
 18-8 STAINLESS

 ATAS INTERNATIONAL, INC Allentown PA 610-395-8445 Mesa AZ 480-558-7210		TITLE	
		HAIRLINE COLUMN COVER	
DWG. NO.		DR	DATE
MATERIAL		WH	8/18/2025
REV. NO.		APP	SCALE
DATE		SH. SIZE	A
DESCRIPTION OF REVISION		SCALE	X:X
BY			
APP			

REV. NO.	DATE	DESCRIPTION OF REVISION	BY	APP