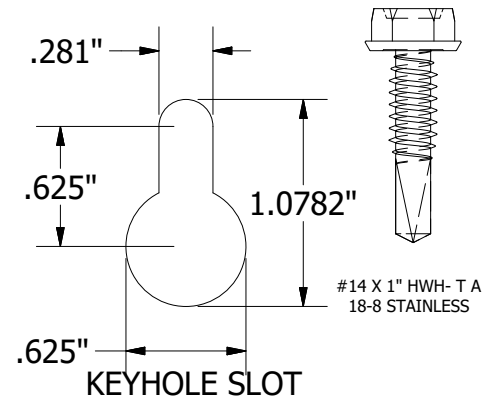
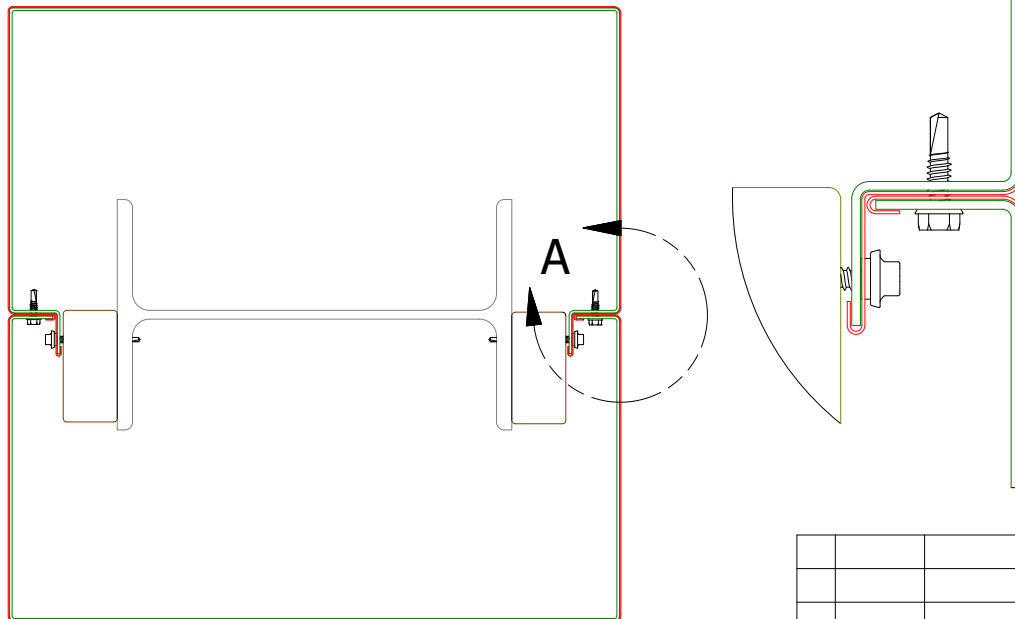



**Materials:**

18Ga 55% Al-Zn Alloy Coated Steel with Acrylic Coating  
.032 Aluminum Shroud, Customer Specified Color



DETAIL A

		<b>ATAS INTERNATIONAL, INC</b> Allentown PA 610-395-8445 Mesa AZ 480-558-7210	
		TITLE <b>HAIRLINE COLUMN COVER</b>	
DWG. NO.		DR WH	DATE 8/18/2025
MATERIAL		APP	DATE
REV. NO.	DATE	DESCRIPTION OF REVISION	BY APP SH. SIZE <b>A</b> SCALE <b>X:X</b>

REV. NO.	DATE	DESCRIPTION OF REVISION	BY	APP