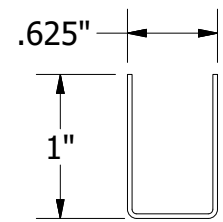
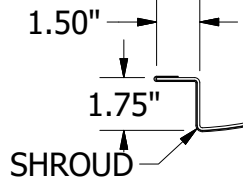
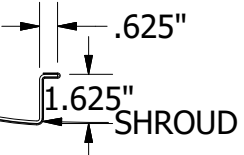


RADIUS

RADIUS

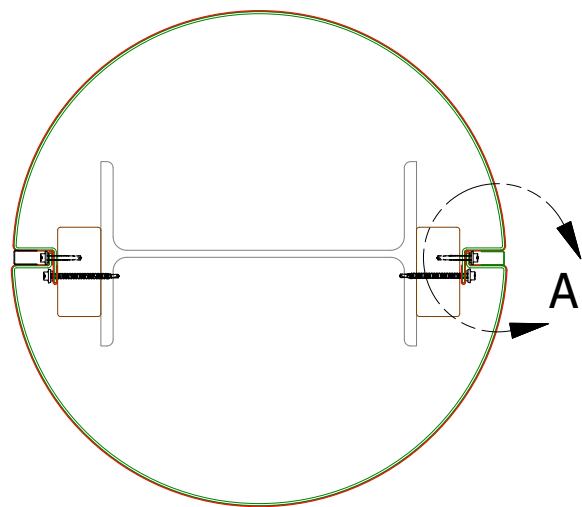
PART B

PART A

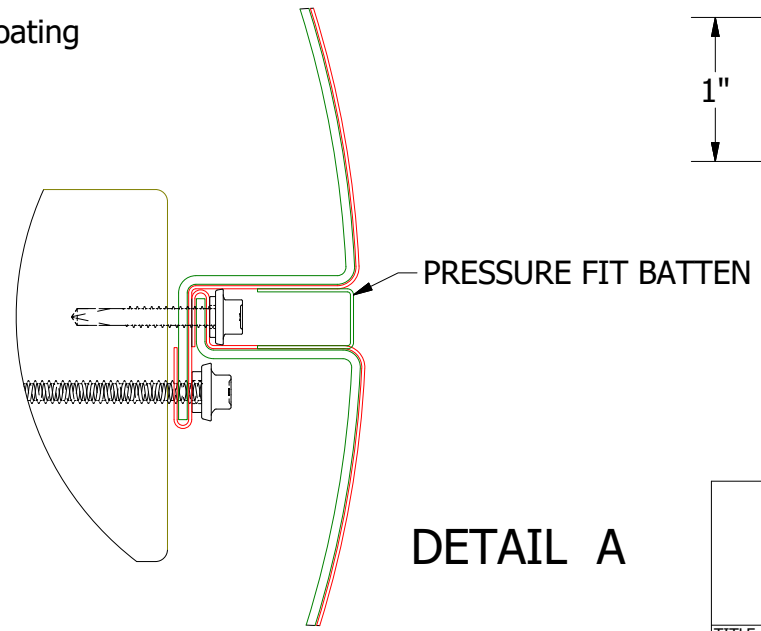


Batten

Materials:
 18Ga 55% Al-Zn Alloy Coated Steel with Acrylic Coating
 .032 Aluminum Shroud, Customer Specified Color




A



PRESSURE FIT BATTEN

DETAIL A

	ATAS INTERNATIONAL, INC Allentown PA 610-395-8445 Mesa AZ 480-558-7210		
	TITLE HIDDEN JOINT COLUMN COVER		
DWG. NO.	DR WH	DATE 8/18/2025	
MATERIAL	APP	DATE	
REV. NO.	DATE	DESCRIPTION OF REVISION	BY
APP	SH. SIZE A	SCALE X:X	
