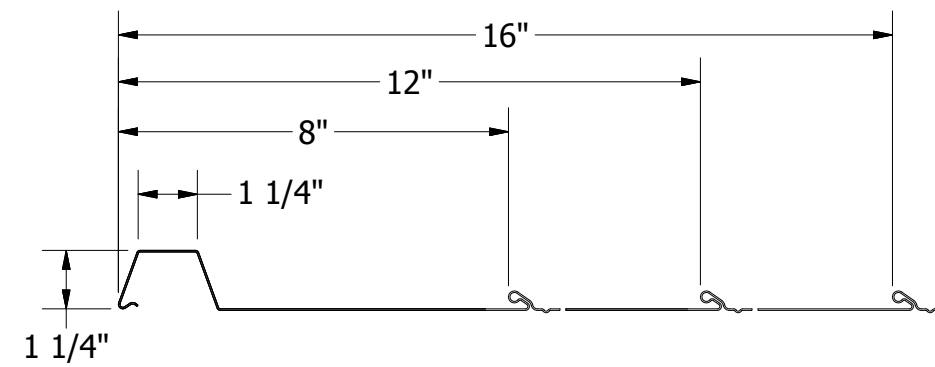
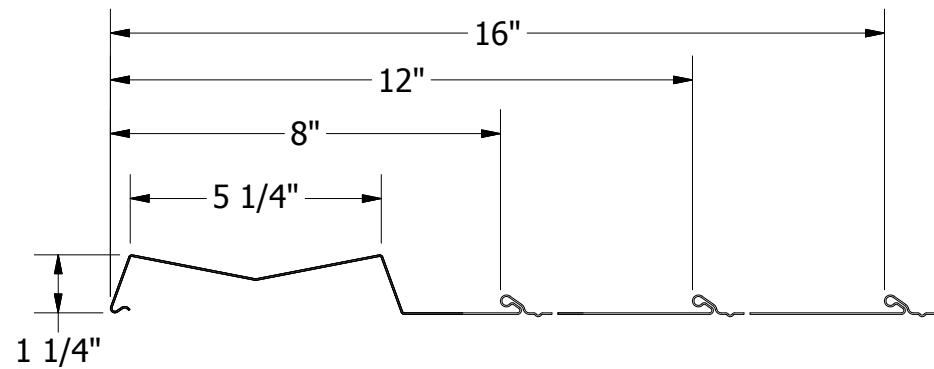


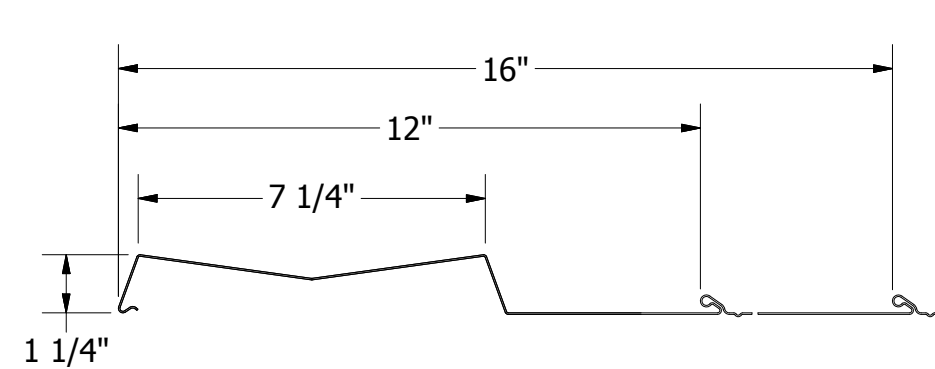
Multi-Purpose Panel (MPN)



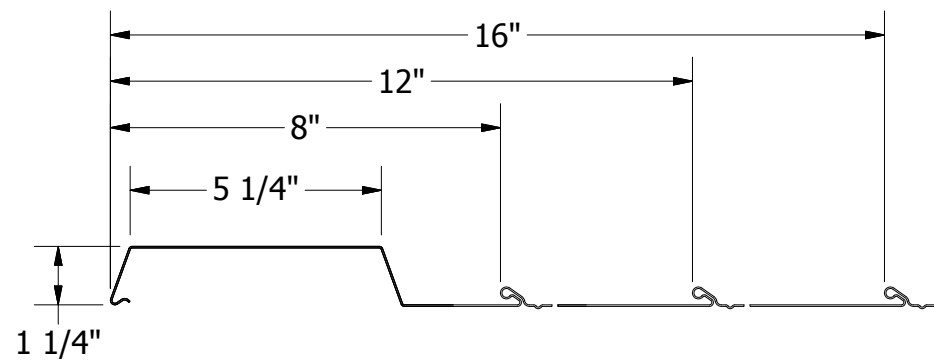
Multi-Purpose Panel (MPW)



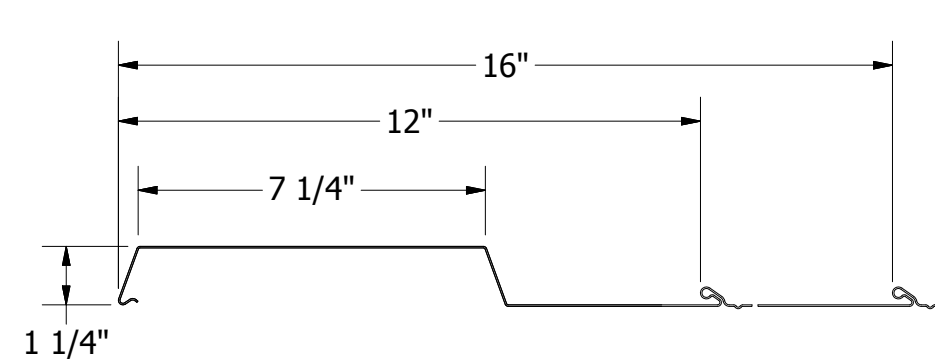
Multi-Purpose Panel (MPV)



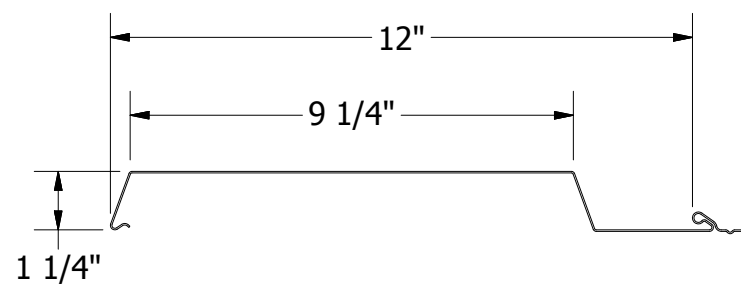
Multi-Purpose Panel (MPV)



Multi-Purpose Panel (MPH)



Multi-Purpose Panel (MPH)

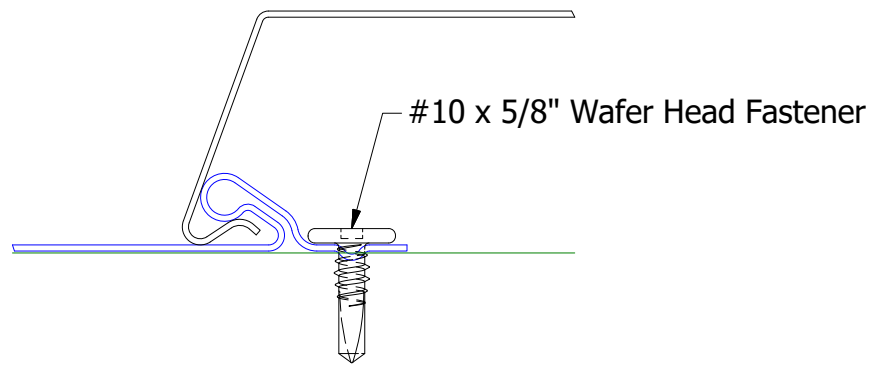
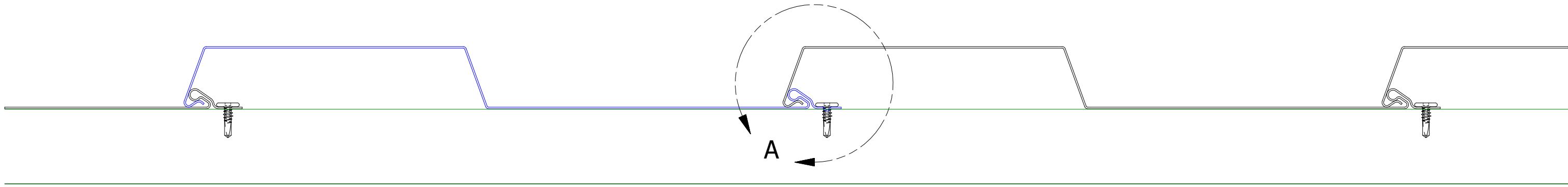
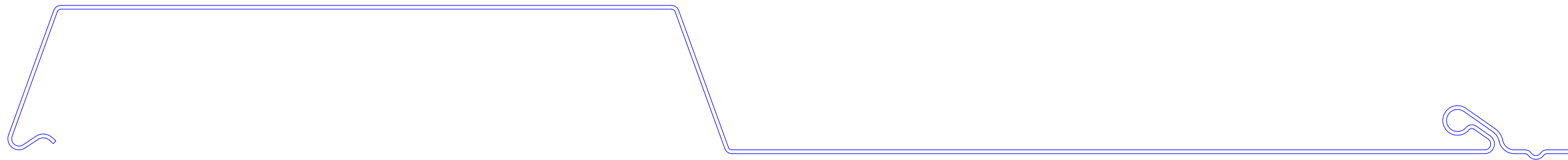
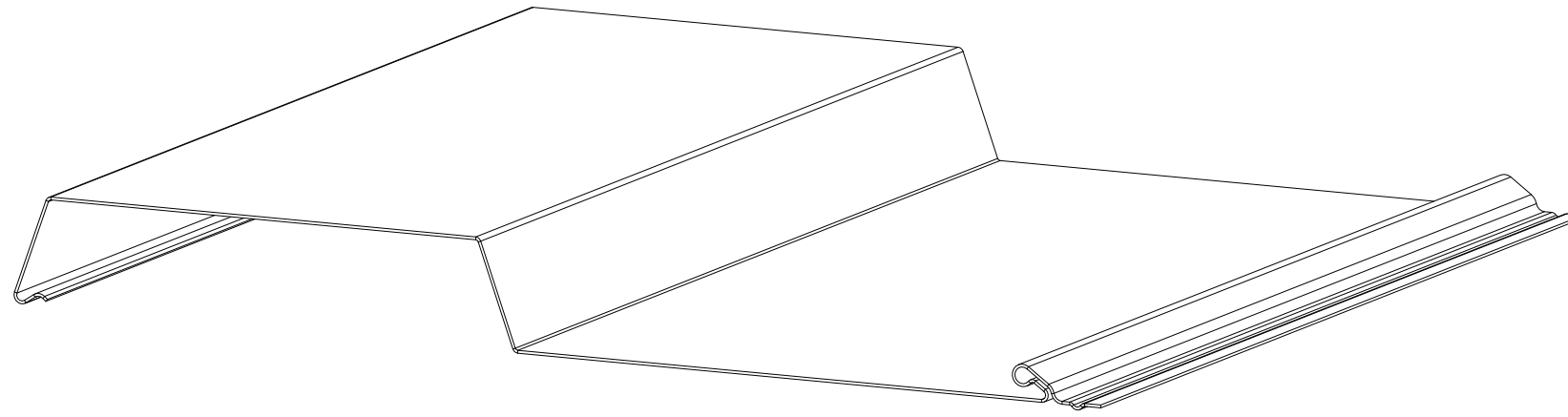


Multi-Purpose Panel (MPH)



ATAS INTERNATIONAL, INC  
 Allentown PA  
 610-395-8445  
 Mesa AZ  
 480-558-7210

TITLE			MultiPurposePanel Detail		
DWG. NO.		DR	KRK	DATE	7/29/2016
MATERIAL		APP		DATE	
REV. NO.	DATE	DESCRIPTION OF REVISION	BY	APP	SH. SIZE B SCALE X:X

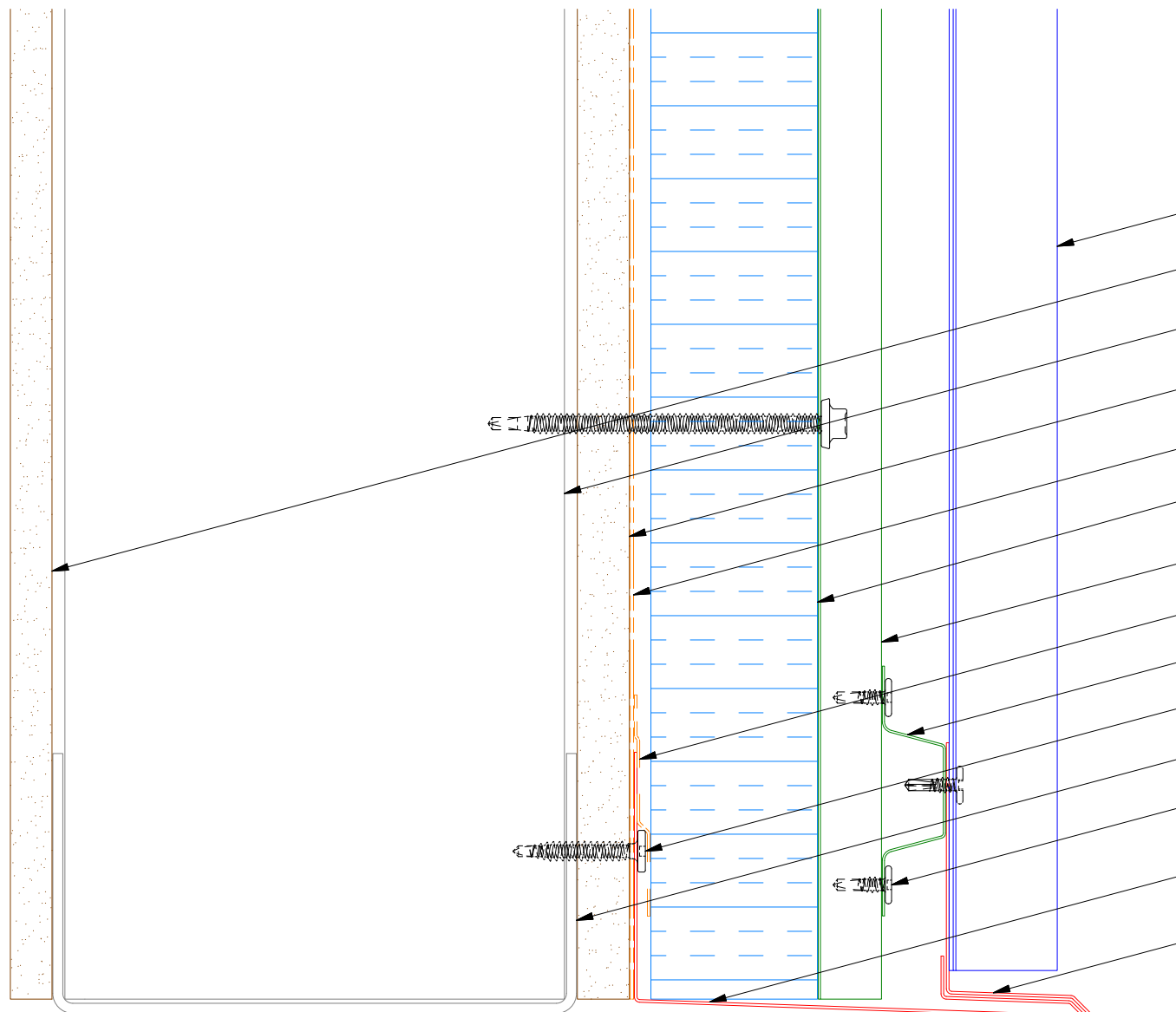


**ATAS INTERNATIONAL, INC**  
 Allentown PA  
 610-395-8445  
 Mesa AZ  
 480-558-7210

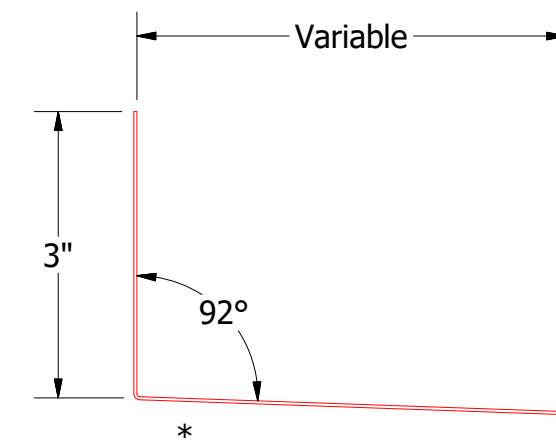
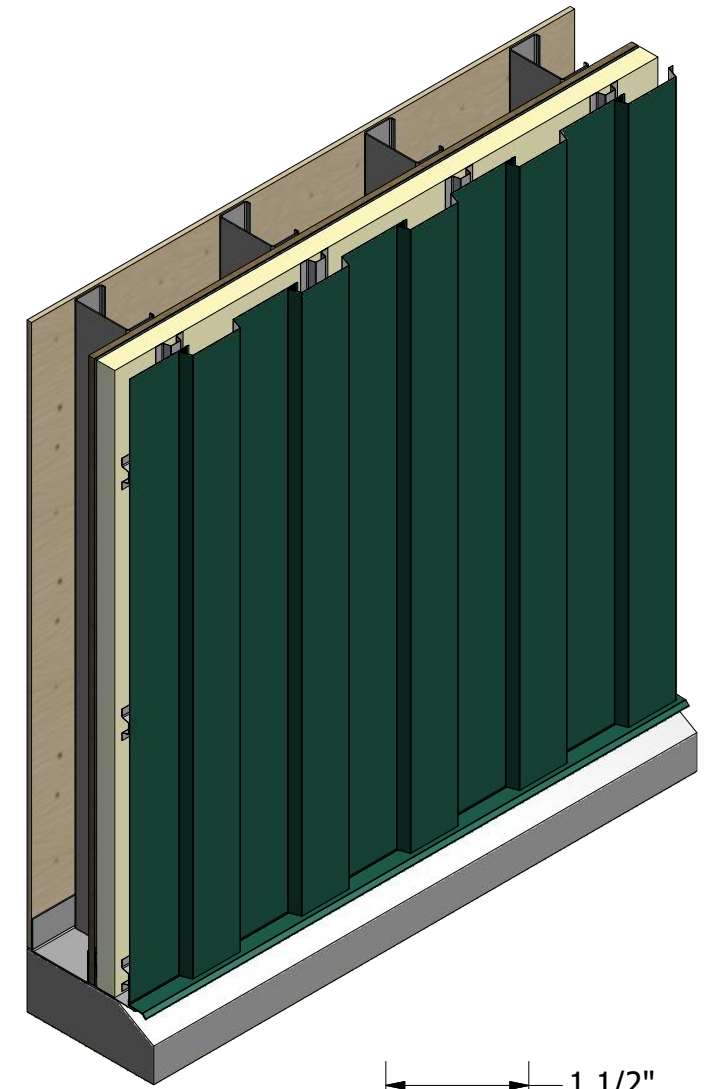
**TITLE**  
**Multi-Purpose Panel Installation Detail**

REV. NO.	DATE	DESCRIPTION OF REVISION	BY	APP	DWG. NO.	DR	DATE
						DMR	6/8/2017
					MATERIAL	APP	DATE
					SH. SIZE	B	SCALE
							X:X

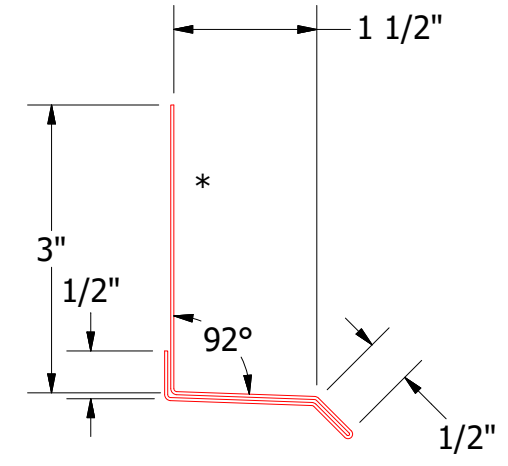
# Vertical Panel



- Multi-Purpose Panel
- Interior Finish
- Metal Wall Stud
- Exterior Gypsum Board
- Water and Air Resistive Barrier
- Water Resistant Insulation
- Vertical Subgirt
- Membrane Strip (by others)
- Horizontal Subgirt
- Flashing Fastener (by others)
- Metal Stud
- #10 x 5/8" Wafer Head Fastener
- Flashing (by others)
- Base Trim



**Flashing**  
(Field Fabricated From Color Matched Flat Stock)



**MPA661-Base Trim**

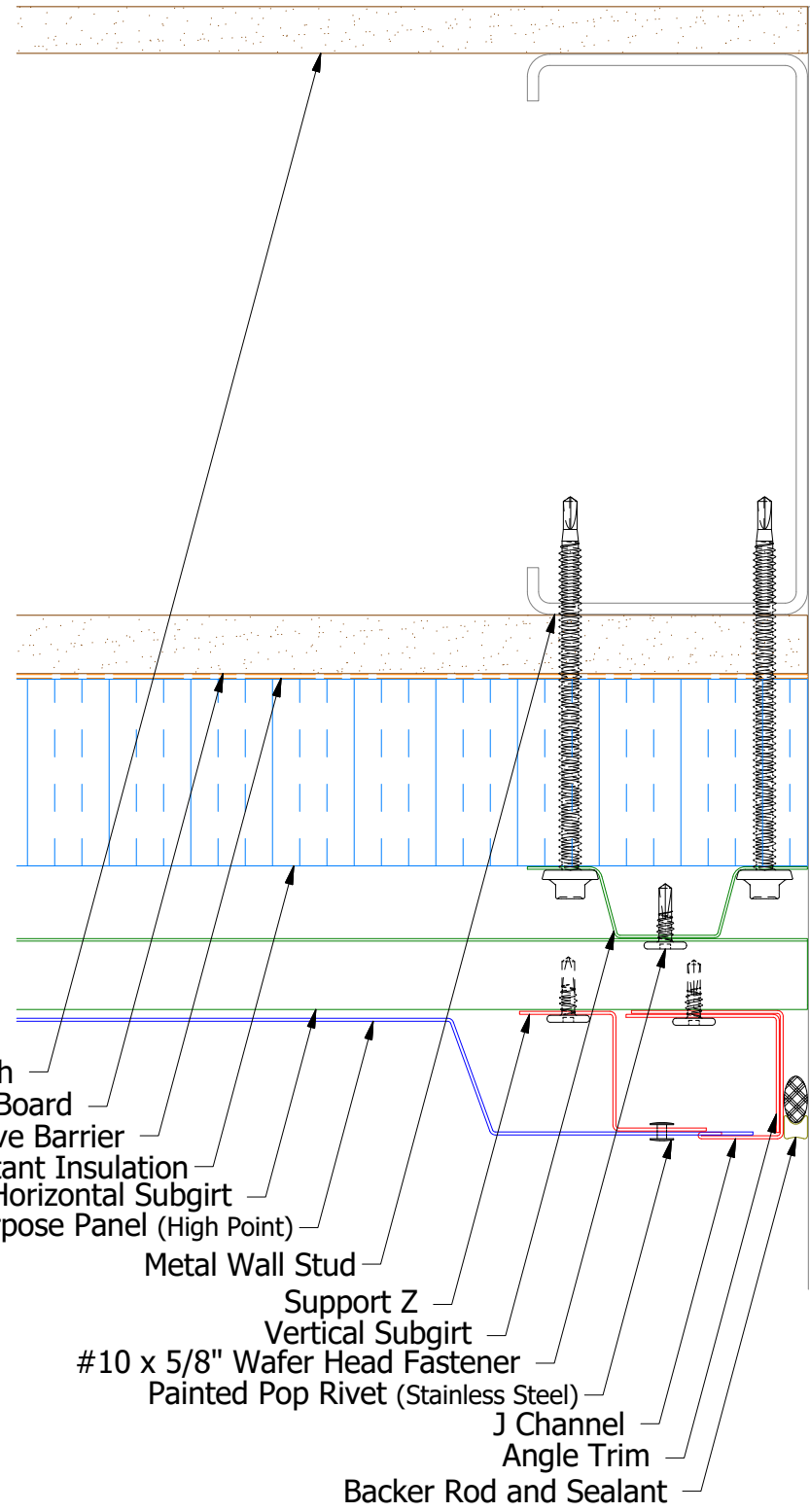


**ATAS INTERNATIONAL, INC**  
Allentown PA  
610-395-8445  
Mesa AZ  
480-558-7210

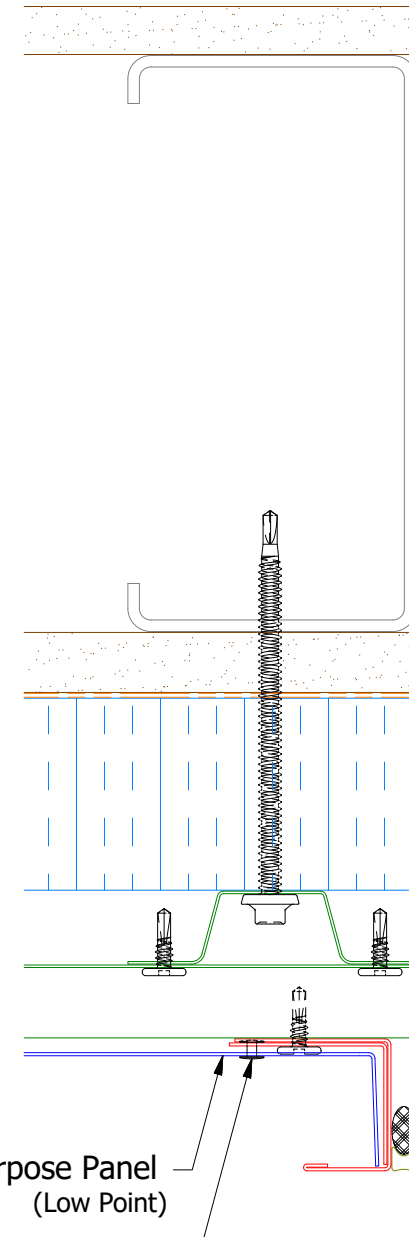
TITLE				Multi-Purpose Base Detail	
DWG. NO.	DR	DATE	DMR	DATE	1/30/2017
MATERIAL	APP	DATE	SH. SIZE	B	SCALE
					X:X

REV. NO.	DATE	DESCRIPTION OF REVISION	BY	APP

# Vertical Panel

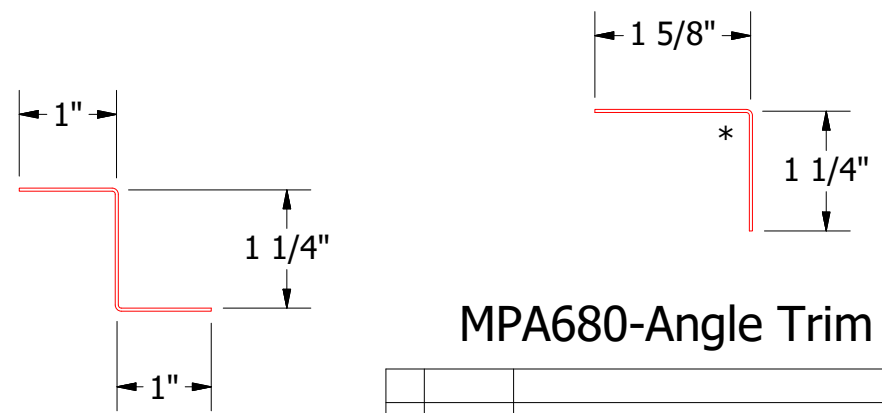


- Interior Finish
- Exterior Gypsum Board
- Water and Air Resistive Barrier
- Water Resistant Insulation
- Horizontal Subgirt
- Multi-Purpose Panel (High Point)
- Metal Wall Stud
- Support Z
- Vertical Subgirt
- #10 x 5/8" Wafer Head Fastener
- Painted Pop Rivet (Stainless Steel)
- J Channel
- Angle Trim
- Backer Rod and Sealant



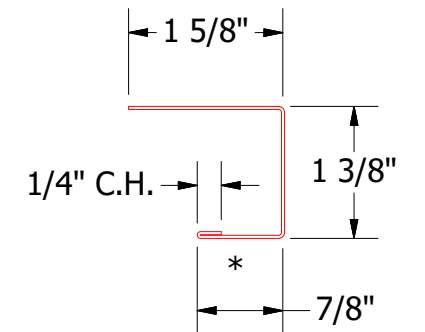
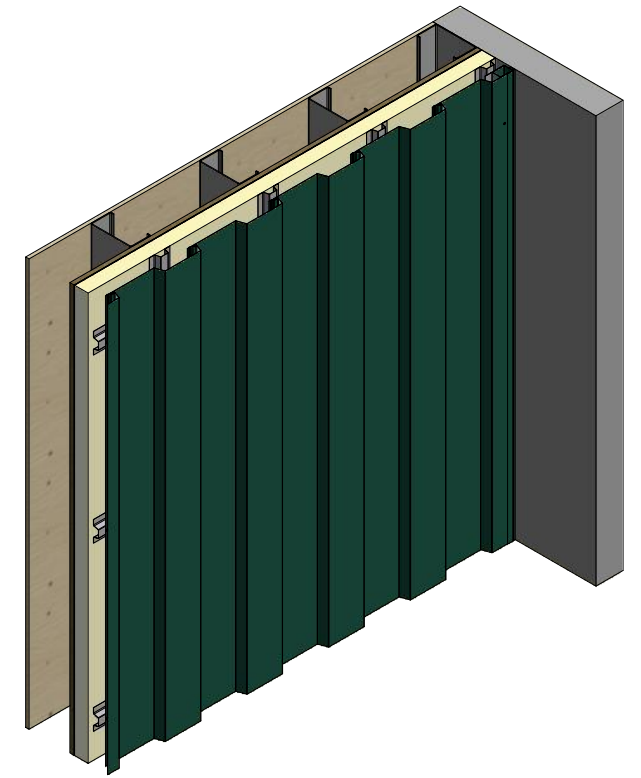
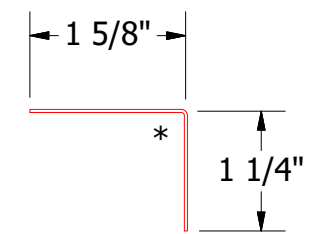
Multi-Purpose Panel  
(Low Point)  
Painted Pop Rivet  
(Stainless Steel)

## Alternate Subgirt Orientation



MPA681-Support Z

## MPA680-Angle Trim



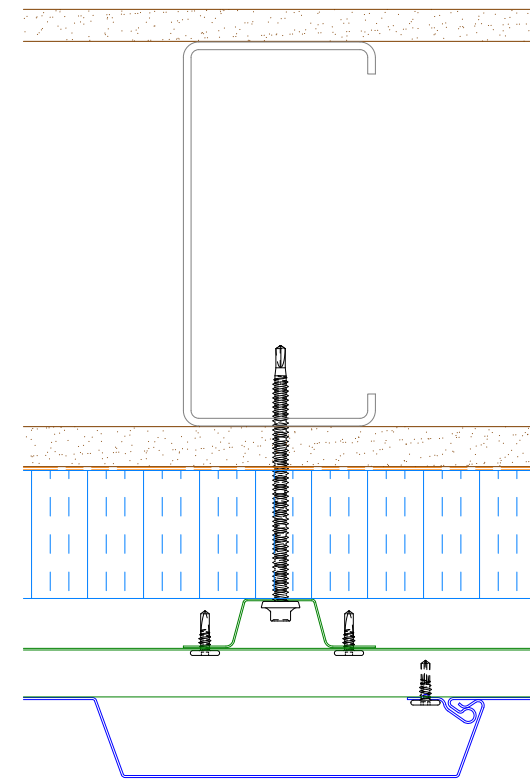
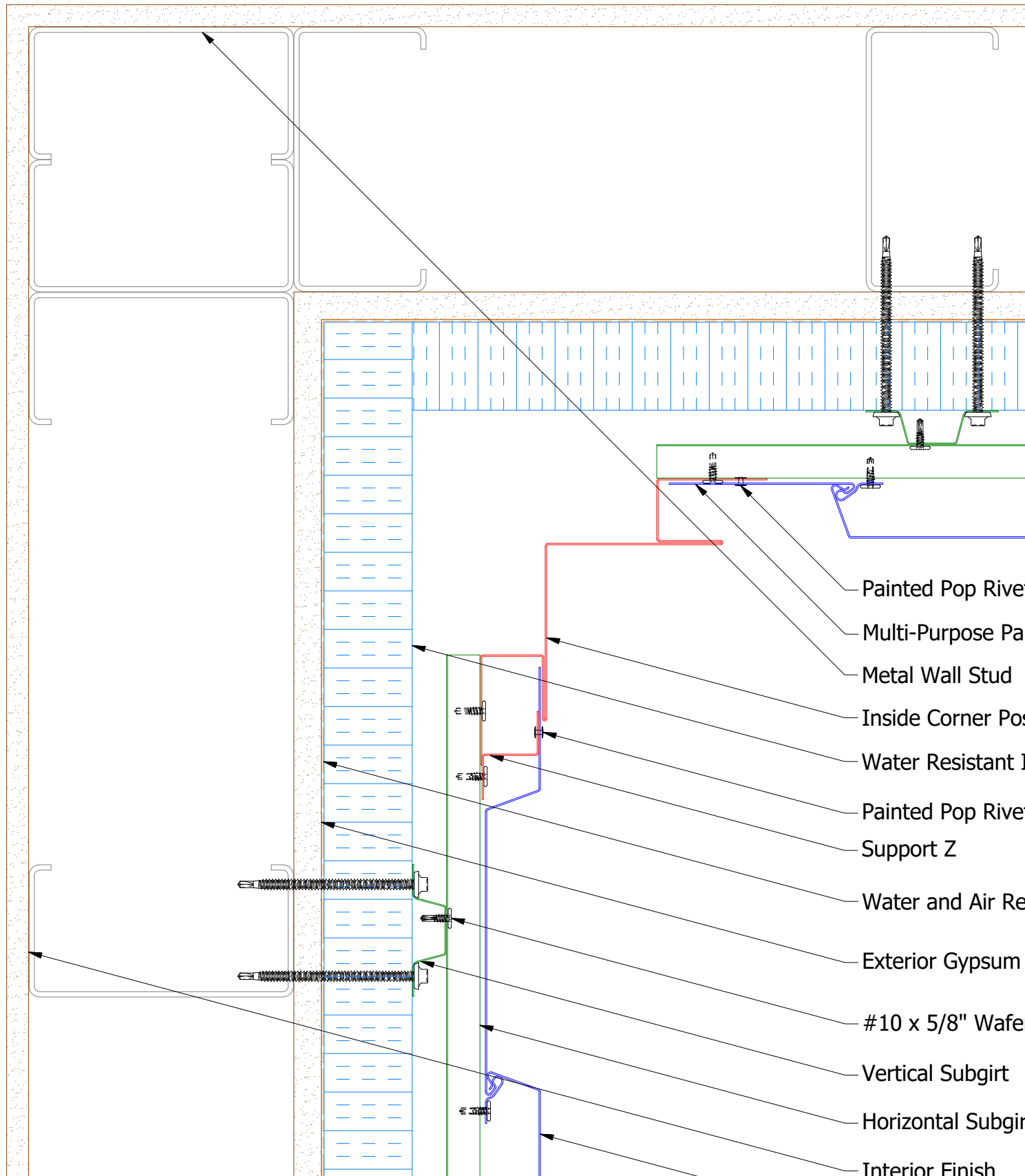
MPA138-J Channel

**ATAS** ATAS INTERNATIONAL, INC  
Allentown PA  
610-395-8445  
Mesa AZ  
480-558-7210

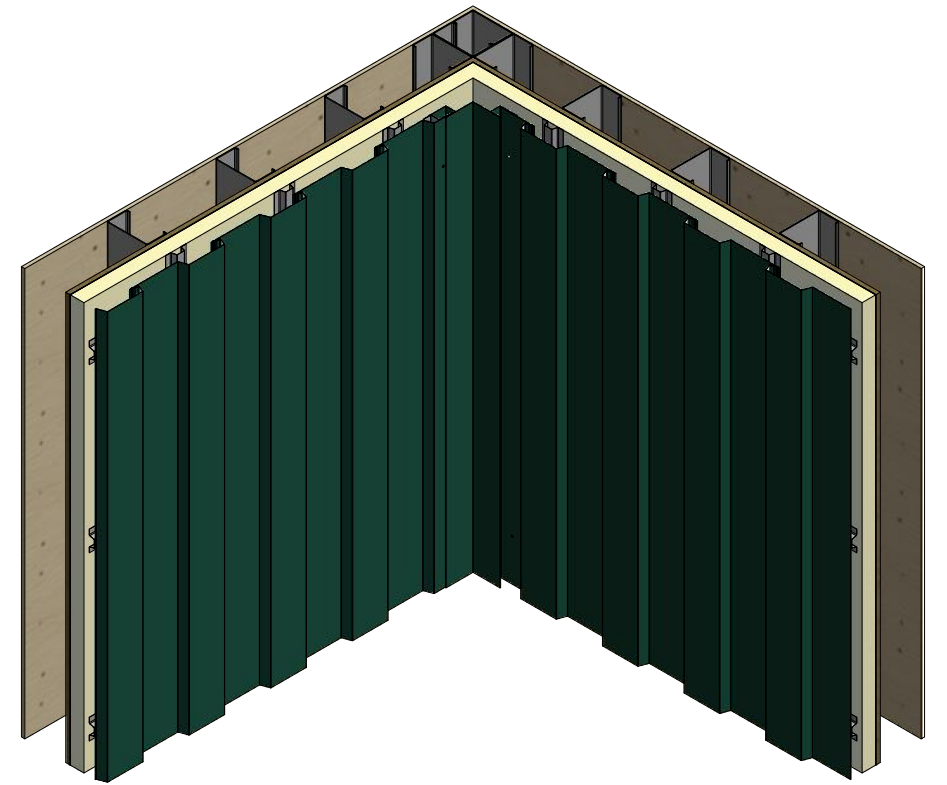
TITLE Multi-Purpose Open Endwall Detail			
DWG. NO.	DR	DATE	2/2/2017
	DMR		
	APP		
MATERIAL	SH. SIZE	SCALE	X:X
	B		

REV. NO.	DATE	DESCRIPTION OF REVISION	BY	APP

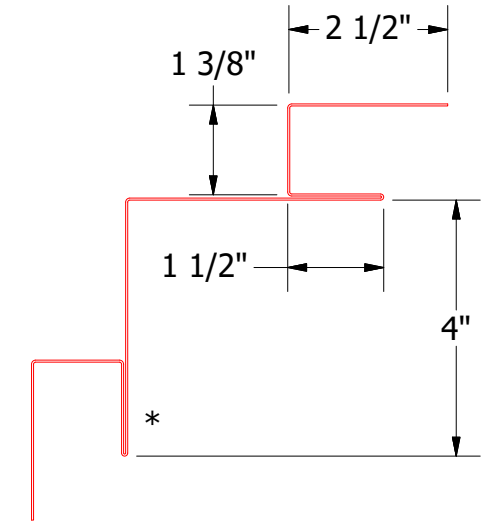
# Vertical Panel



Alternate Subgirt Orientation



- Painted Pop Rivet (Stainless Steel)
- Multi-Purpose Panel (Low Point)
- Metal Wall Stud
- Inside Corner Post
- Water Resistant Insulation
- Painted Pop Rivet (Stainless Steel)
- Support Z
- Water and Air Resistive Barrier
- Exterior Gypsum Board
- #10 x 5/8" Wafer Head Fastener
- Vertical Subgirt
- Horizontal Subgirt
- Interior Finish
- Multi-Purpose Panel (High Point)

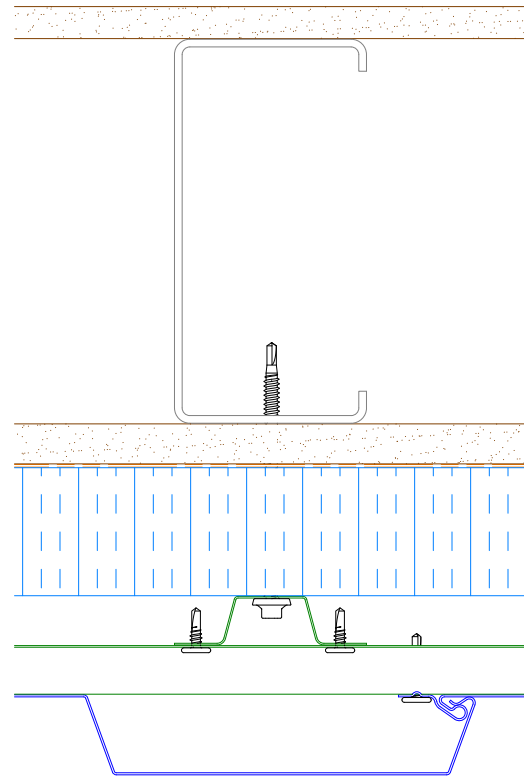


MPA601-Inside Corner

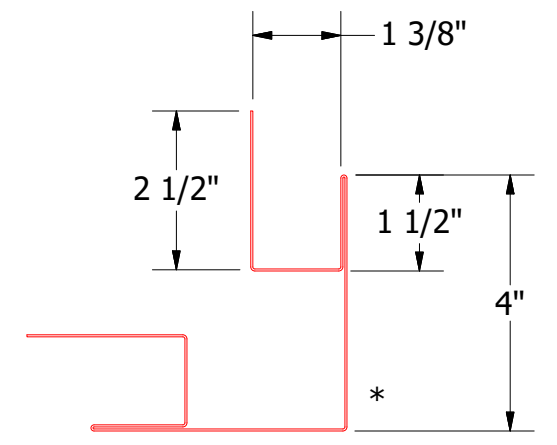
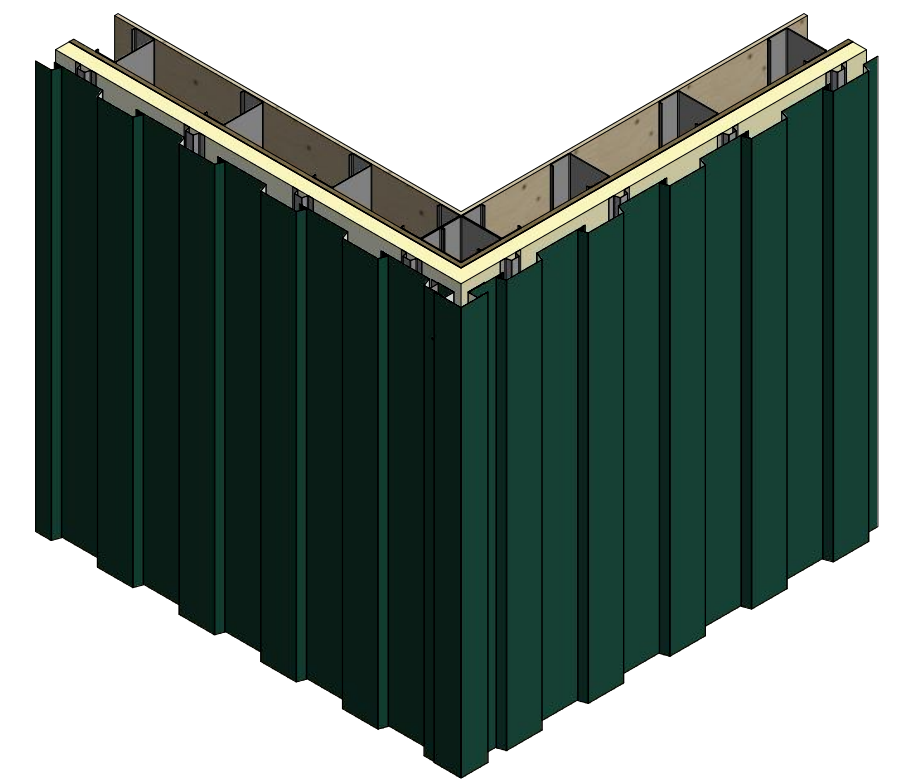
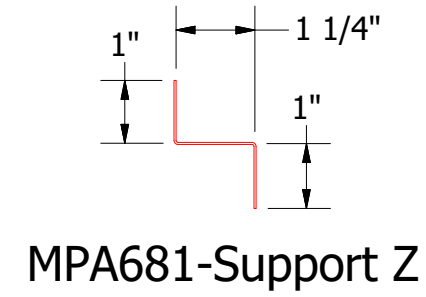
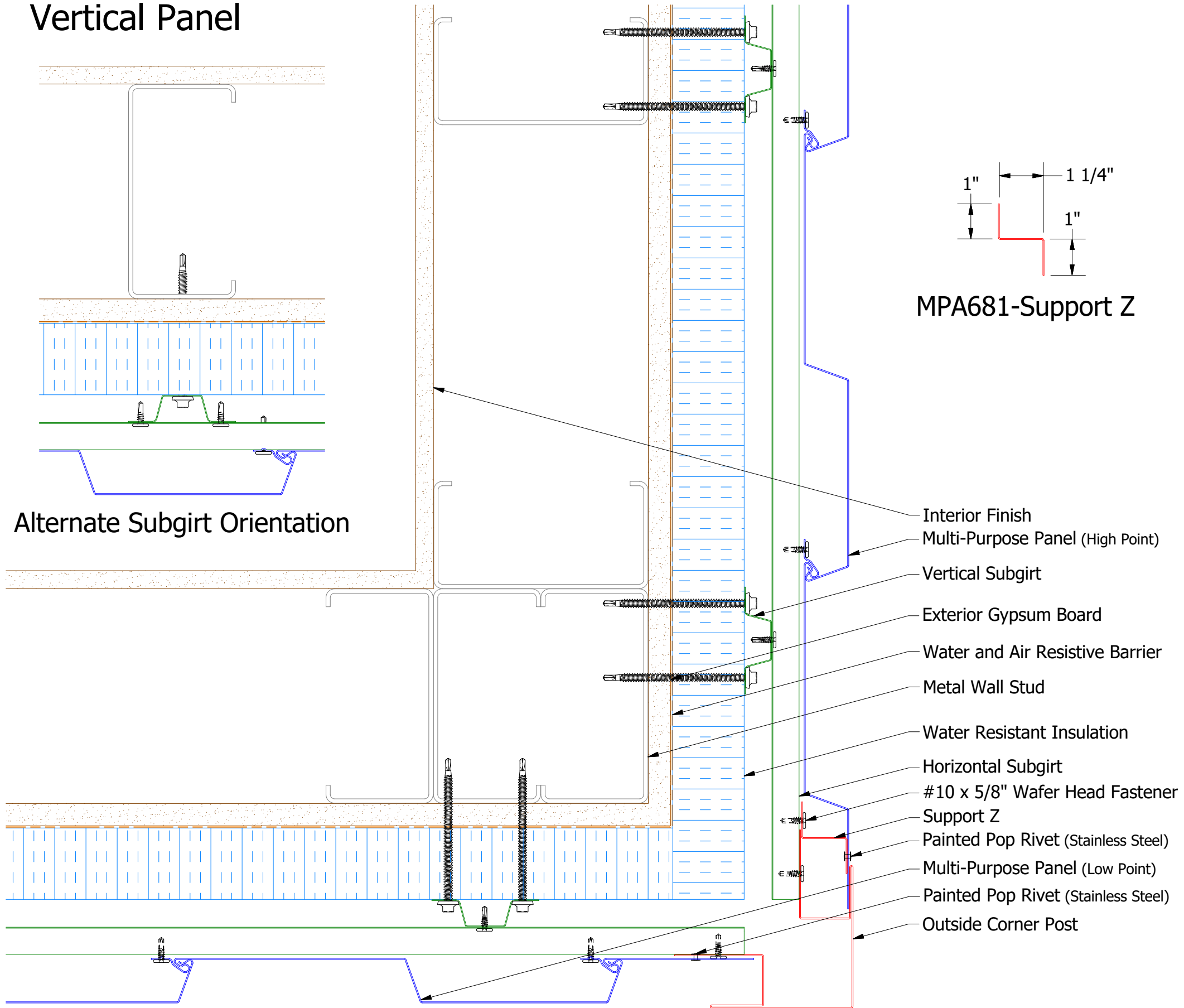
**ATAS** INTERNATIONAL, INC  
 Allentown PA  
 610-395-8445  
 Mesa AZ  
 480-558-7210

REV. NO.		DATE	DESCRIPTION OF REVISION	BY	APP	TITLE Multi-Purpose Open Inside Corner Detail	
DWG. NO.		DR	DMR	DATE	2/3/2017	MATERIAL	
SH. SIZE		B	SCALE	X:X			

# Vertical Panel



# Alternate Subgirt Orientation



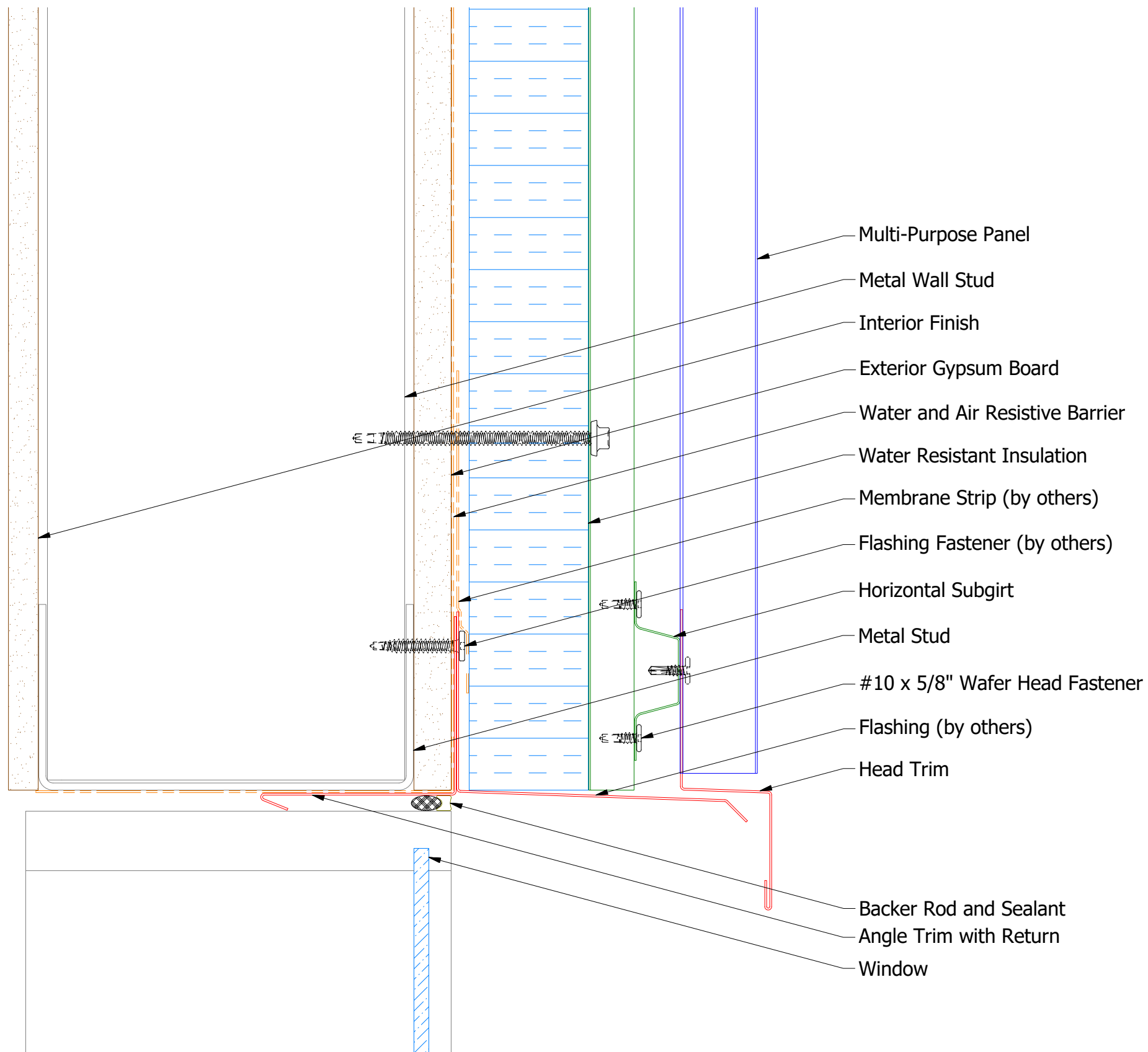
**ATAS** ATAS INTERNATIONAL, INC  
 Allentown PA  
 610-395-8445  
 Mesa AZ  
 480-558-7210

TITLE  
**Multi-Purpose Open Outside Corner Detail**

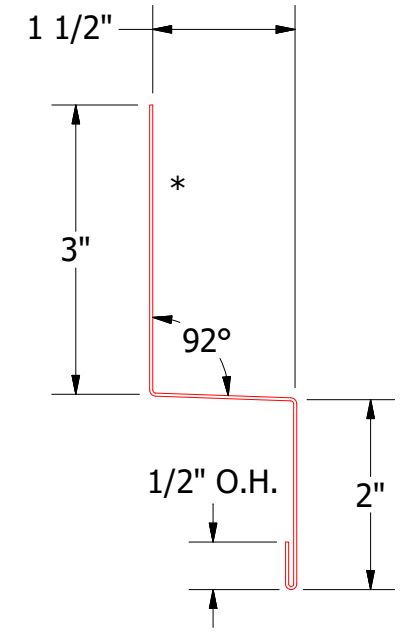
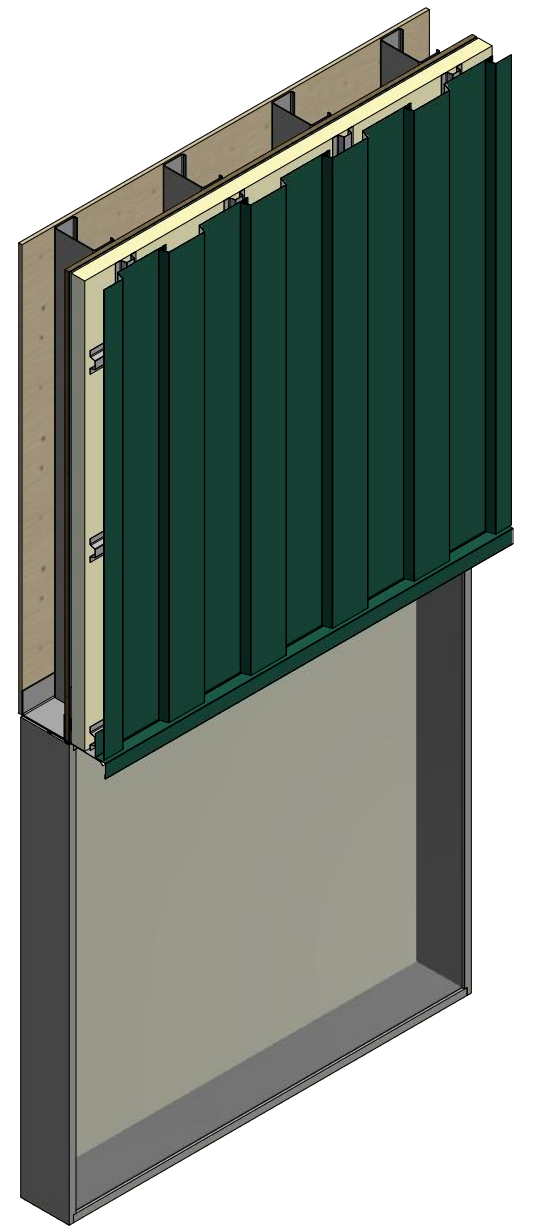
REV. NO.	DATE	DESCRIPTION OF REVISION	BY	APP	DWG. NO.	DR	DATE
						DMR	2/6/2017
					MATERIAL	APP	DATE
					SH. SIZE	B	SCALE
							X:X



# Vertical Panel



- Multi-Purpose Panel
- Metal Wall Stud
- Interior Finish
- Exterior Gypsum Board
- Water and Air Resistive Barrier
- Water Resistant Insulation
- Membrane Strip (by others)
- Flashing Fastener (by others)
- Horizontal Subgirt
- Metal Stud
- #10 x 5/8" Wafer Head Fastener
- Flashing (by others)
- Head Trim
- Backer Rod and Sealant
- Angle Trim with Return
- Window



MPA550-Head Trim

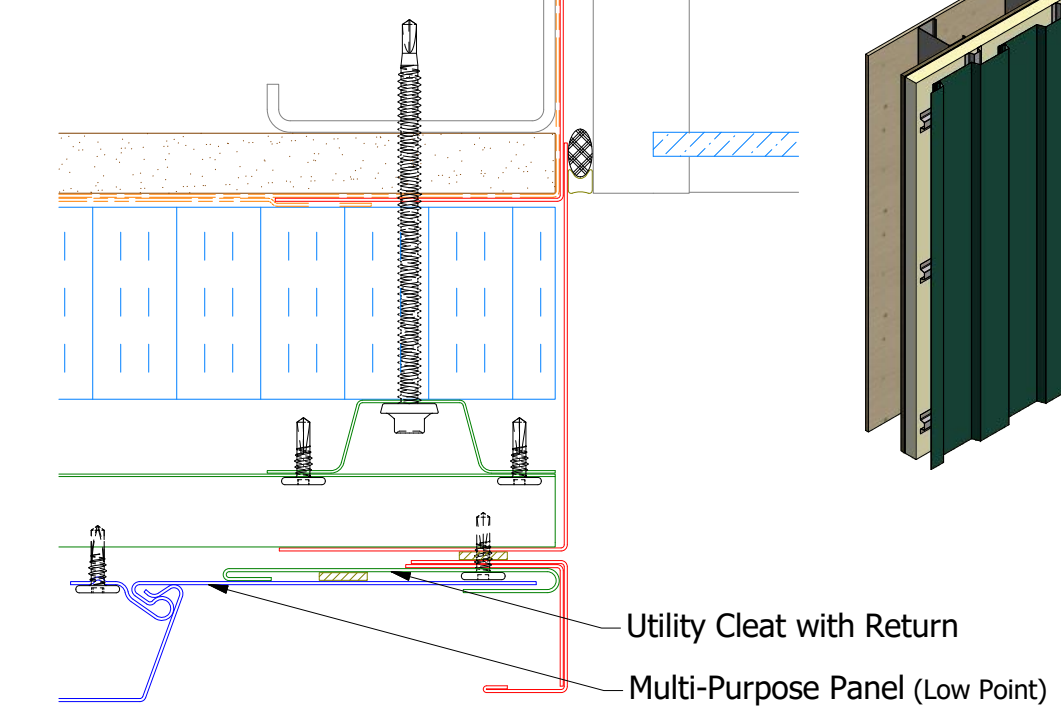
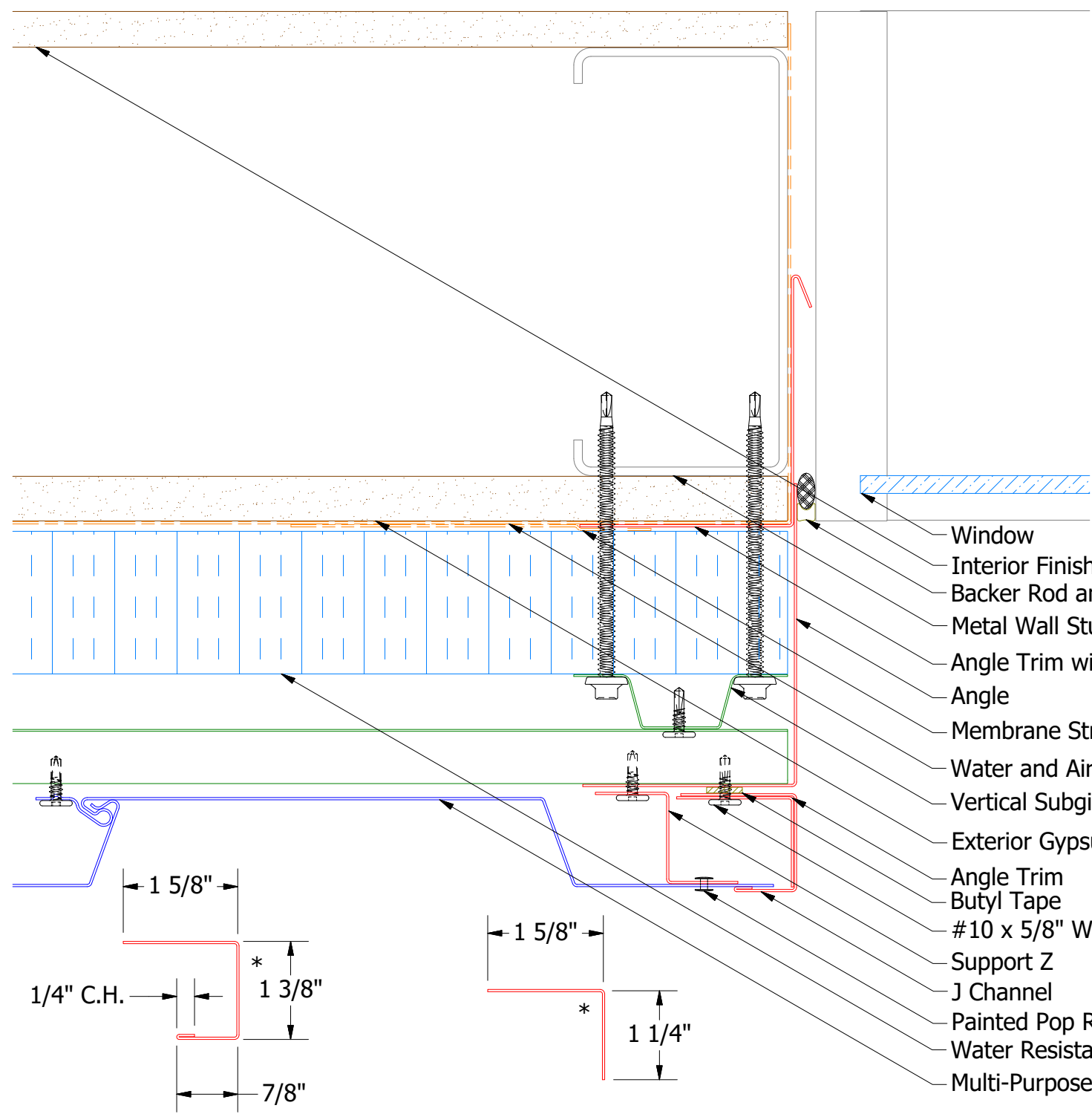
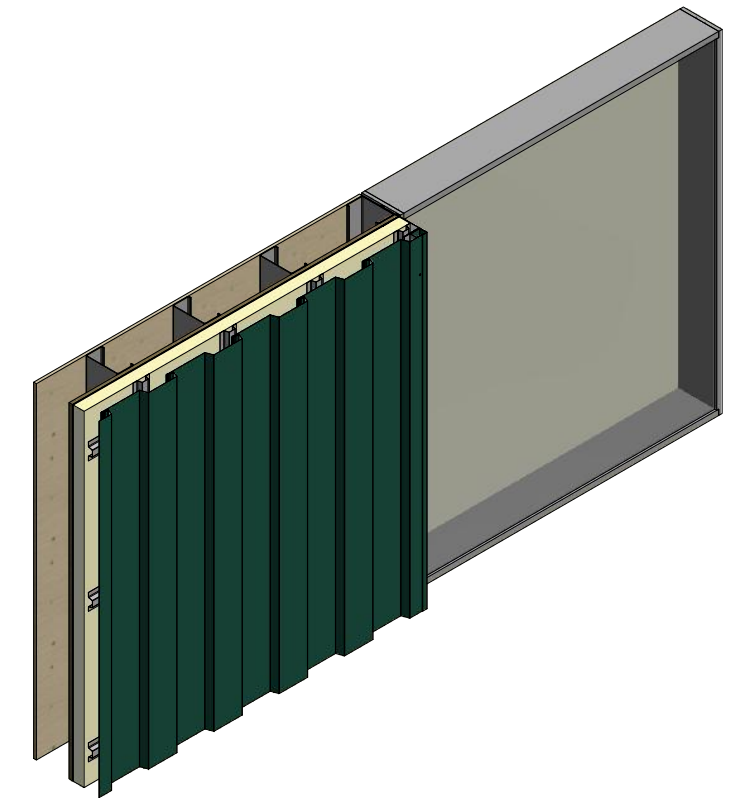
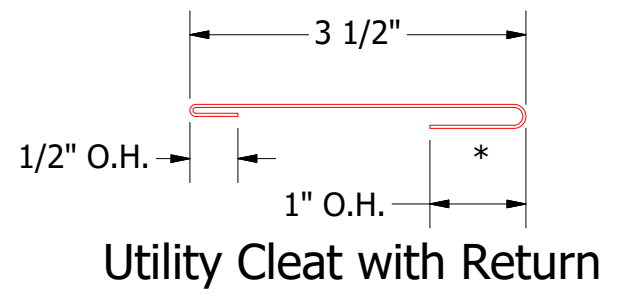
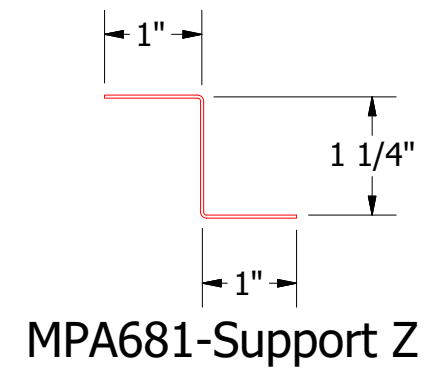

**ATAS INTERNATIONAL, INC**  
 Allentown PA  
 610-395-8445  
 Mesa AZ  
 480-558-7210

TITLE **Multi-Purpose Open Head Detail**

REV. NO.	DATE	DESCRIPTION OF REVISION	BY	APP	DWG. NO.	DR	DMR	DATE	2/2/2017
						APP		DATE	
					MATERIAL	SH. SIZE	B	SCALE	X:X

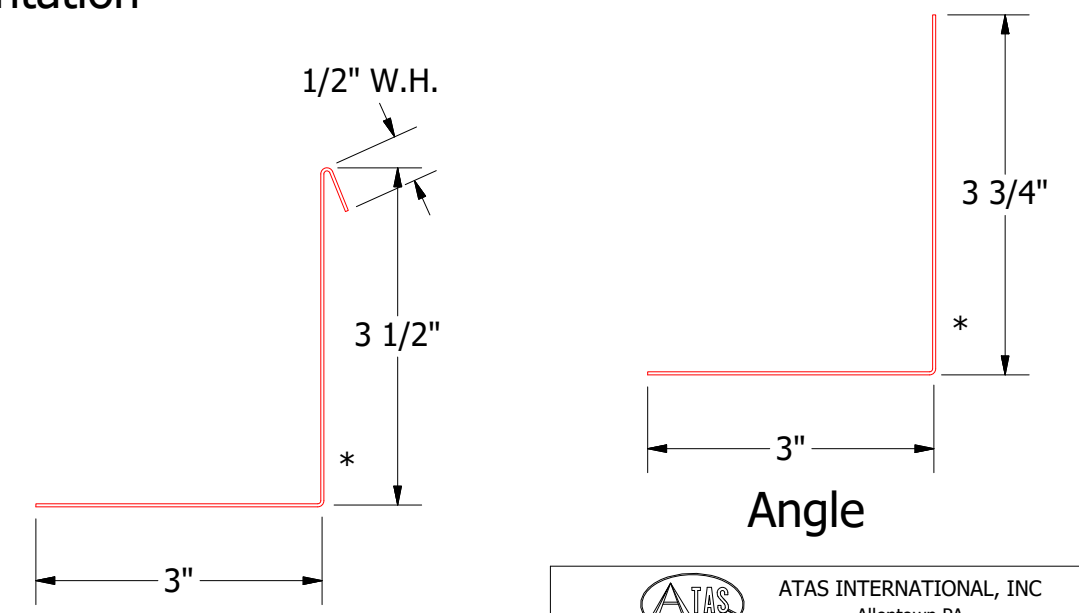
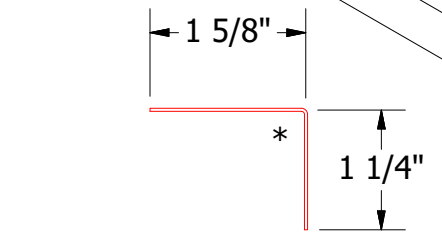
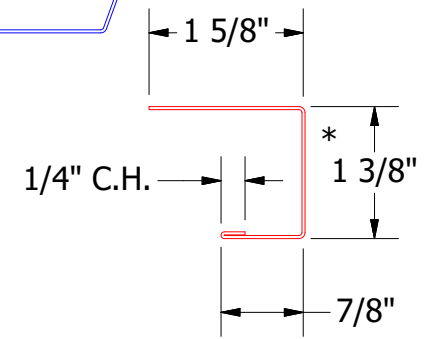


# Vertical Panel



## Alternate Subgirt Orientation

- Window
- Interior Finish
- Backer Rod and Sealant
- Metal Wall Stud
- Angle Trim with Return
- Angle
- Membrane Strip over Angle Trim with Return
- Water and Air Resistive Barrier
- Vertical Subgirt
- Exterior Gypsum Board
- Angle Trim
- Butyl Tape
- #10 x 5/8" Wafer Head Fastener
- Support Z
- J Channel
- Painted Pop Rivet (Stainless Steel)
- Water Resistant Insulation
- Multi-Purpose Panel (High Point)



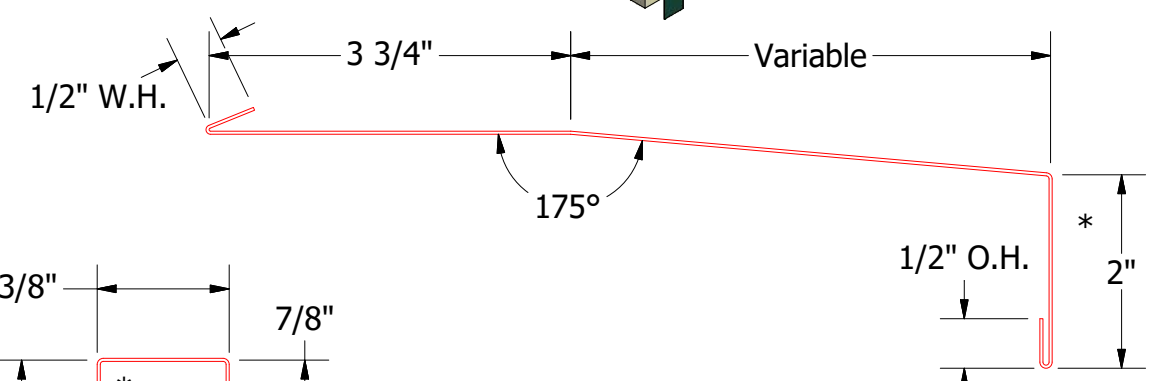
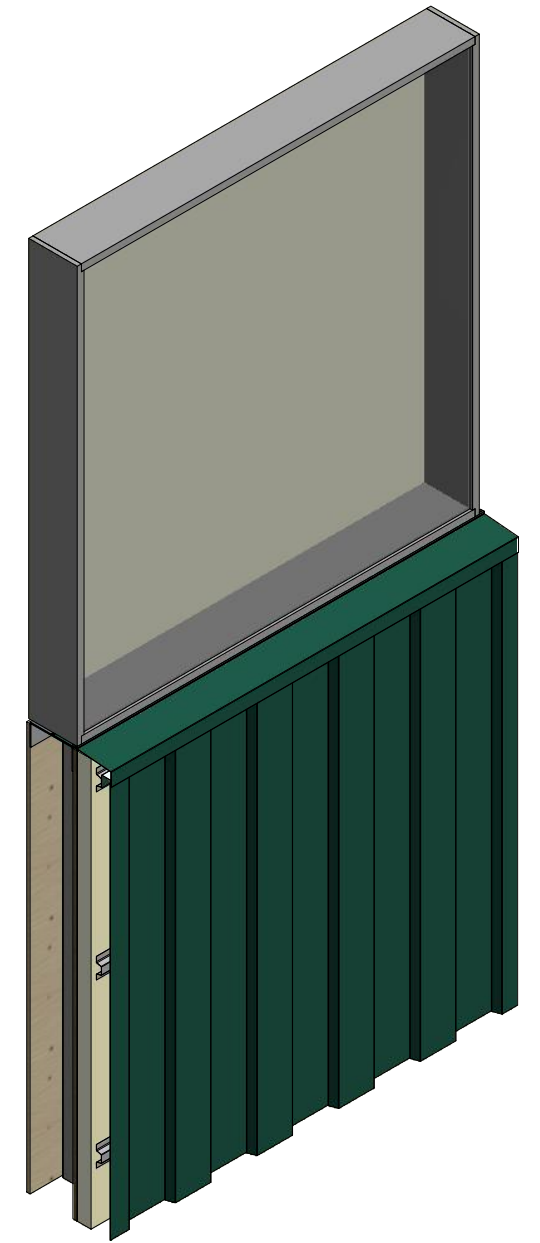
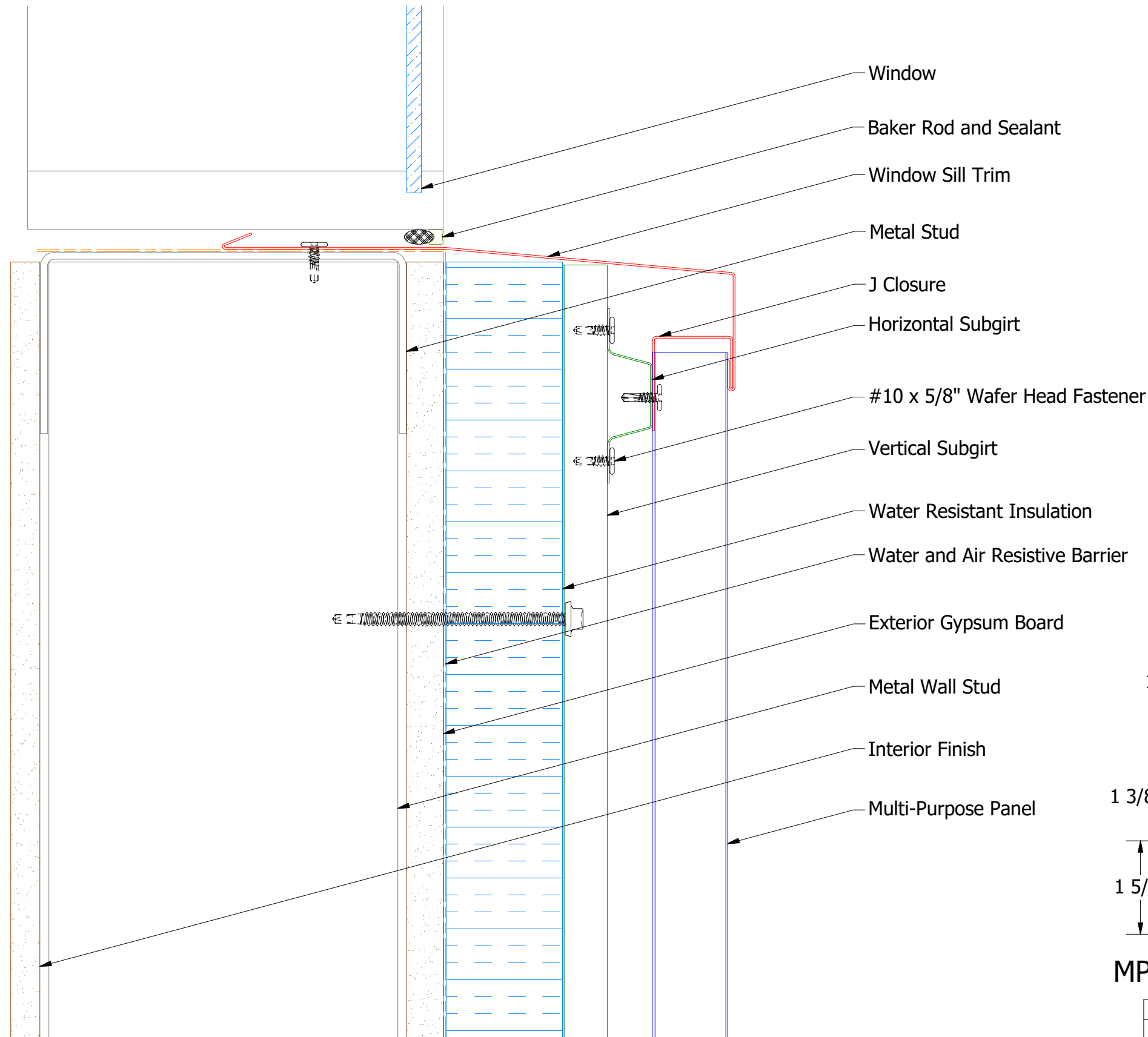
**ATAS** ATAS INTERNATIONAL, INC  
 Allentown PA  
 610-395-8445  
 Mesa AZ  
 480-558-7210

TITLE **Multi-Purpose Open Jamb Detail**

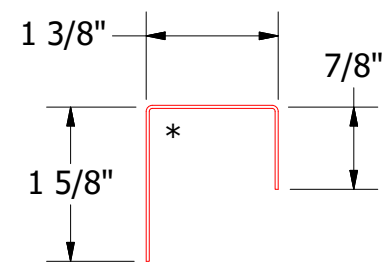
REV. NO.	DATE	DESCRIPTION OF REVISION	BY	APP

DWG. NO.	DR	DATE
	DMR	2/3/2017
MATERIAL	APP	DATE
SH. SIZE	B	SCALE
		X:X

# Vertical Panel



MPA670-Window Sill Trim



MPA270-J Closure

**ATAS** ATAS INTERNATIONAL, INC  
 Allentown PA  
 610-395-8445  
 Mesa AZ  
 480-558-7210

TITLE Multi-Purpose Window Sill Detail

REV. NO.	DATE	DESCRIPTION OF REVISION	BY	APP	DWG. NO.	DR	DATE
						DMR	2/8/2017
					MATERIAL	APP	DATE
					SH. SIZE	B	SCALE
							X:X