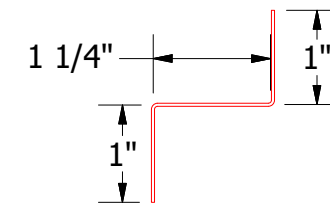
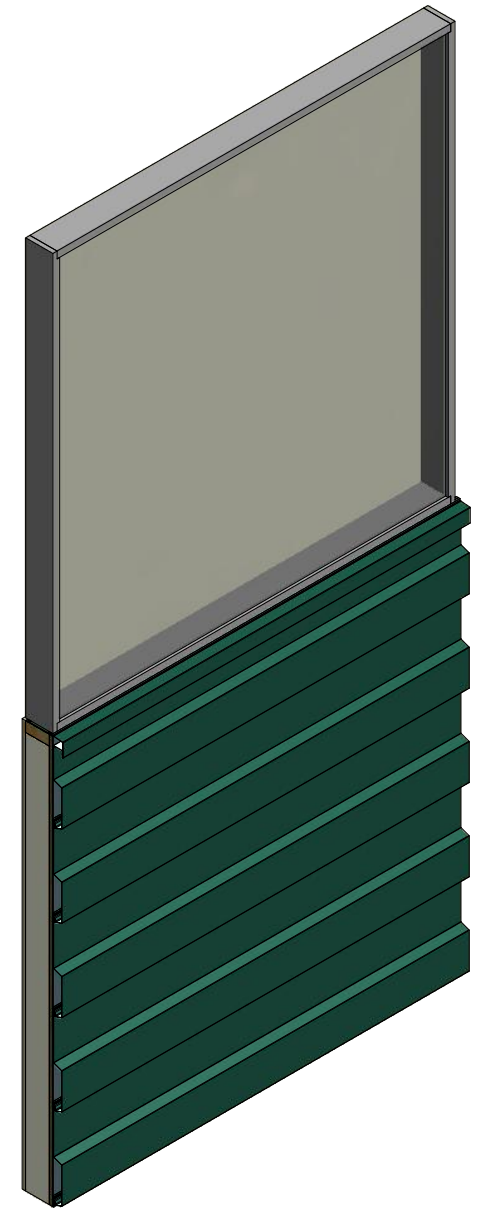
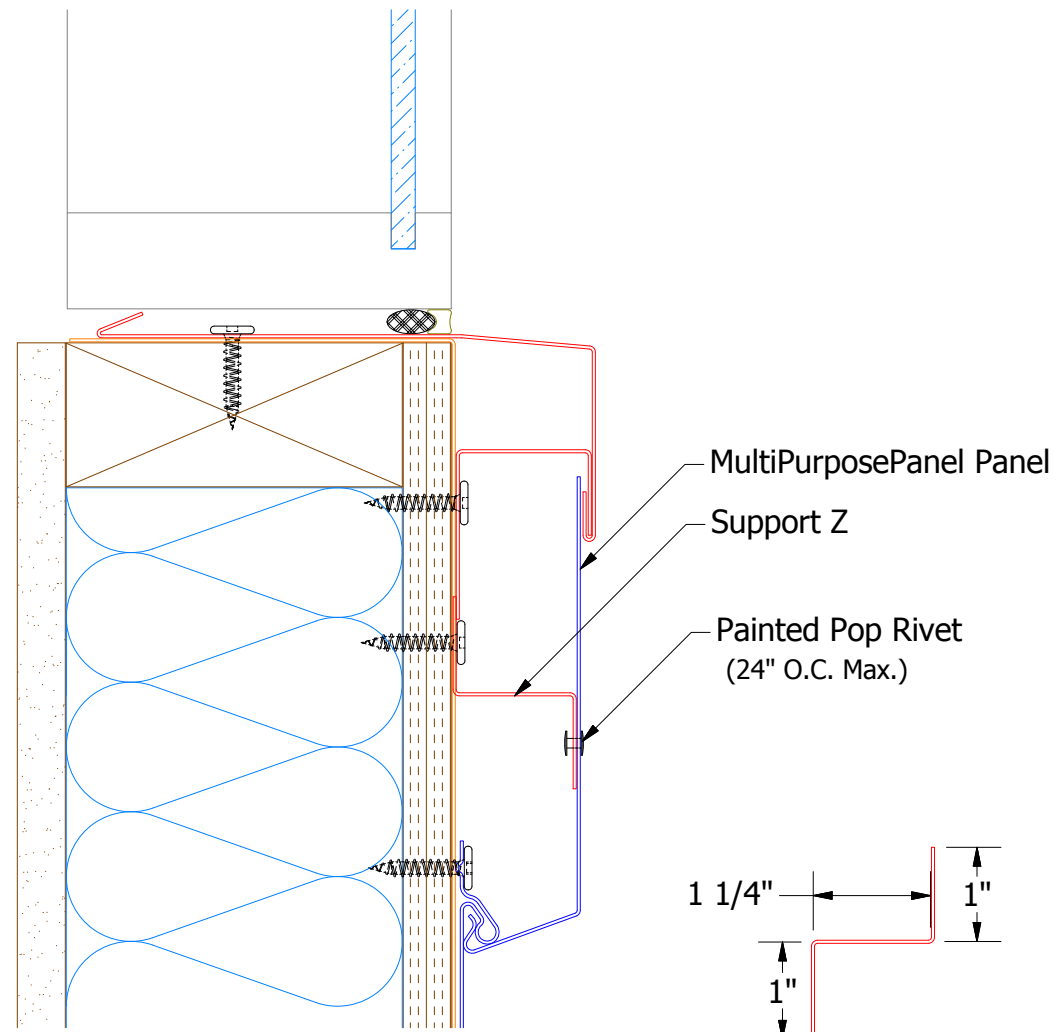
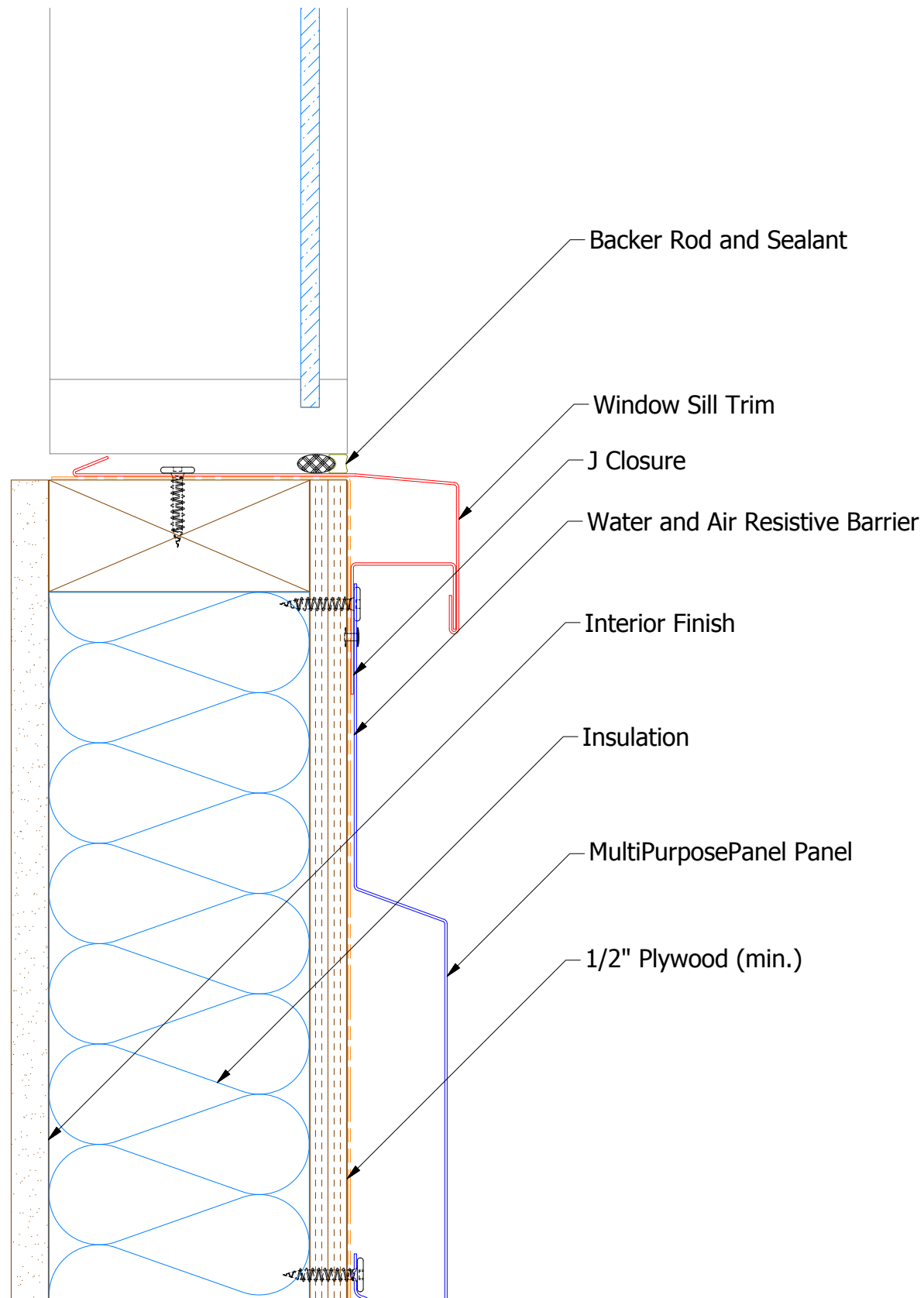
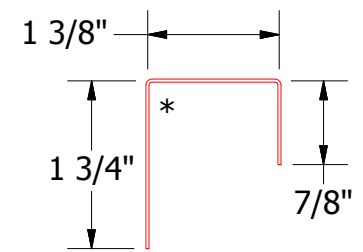


Horizontal Panel Low Point

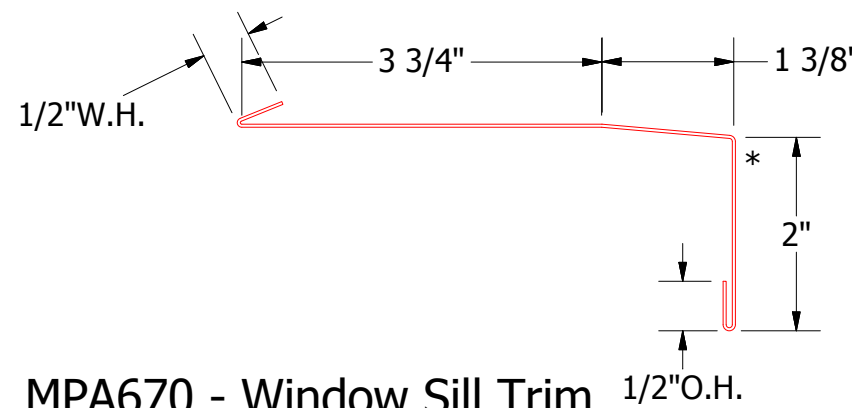
High Point



MPA681 - Support Z



MPA270 - J Closure



MPA670 - Window Sill Trim

ATAS ATAS INTERNATIONAL, INC
 Allentown PA
 610-395-8445
 Mesa AZ
 480-558-7210

TITLE MultiPurposePanel Window Sill Detail			
DWG. NO.	DR	DATE	7/13/2016
	MBP		
	APP	DAS	DATE 7/29/16
MATERIAL	SH. SIZE	B	SCALE X:X

REV. NO.	DATE	DESCRIPTION OF REVISION	BY	APP