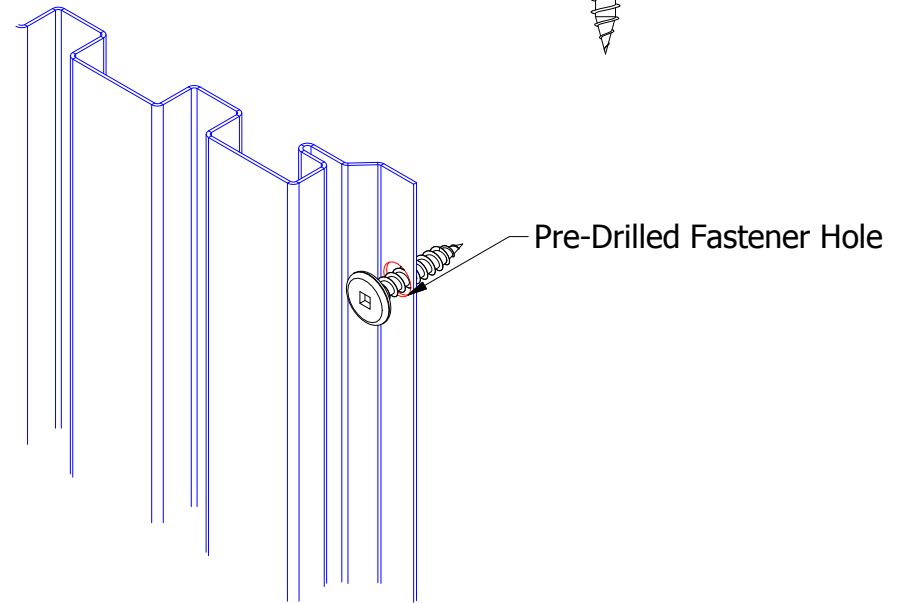


#10 x 1" Wafer Head Screw

A



Pre-Drilled Fastener Hole

Pre-Drill Fastener Holes for Panels Greater than 20'-0" in Length



ATAS INTERNATIONAL, INC
 Allentown PA
 610-395-8445
 Mesa AZ
 480-558-7210

TITLE **Opaline Panel Installation Detail**

REV. NO.	DATE	DESCRIPTION OF REVISION	BY	APP	DWG. NO.	DR	DMR	DATE	10/18/2016
								DATE	
					MATERIAL	SH. SIZE	B	SCALE	X:X