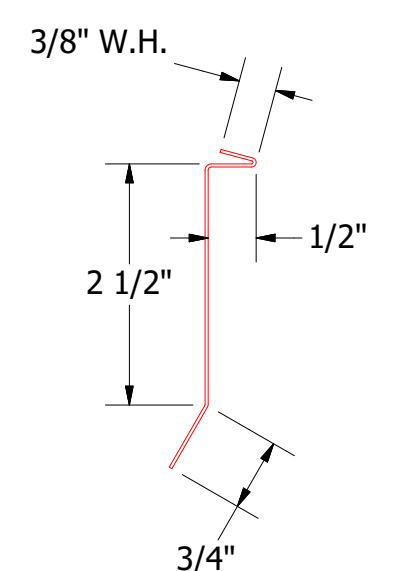
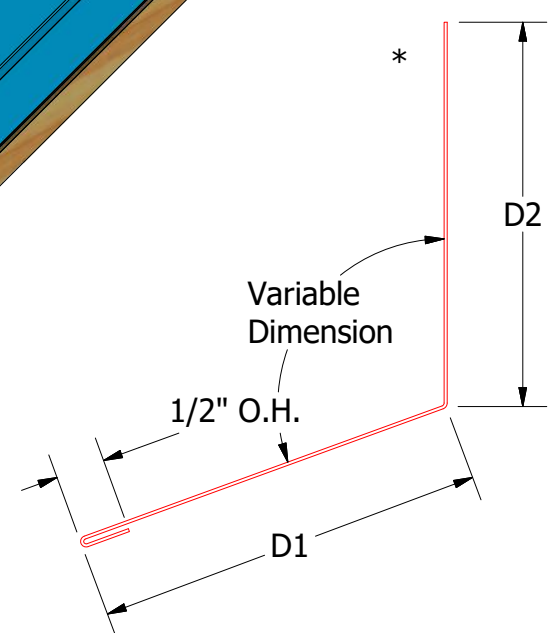


Z Closure
PCA910 - 1" Seam and 1" Batten
 D1=1 1/8"
PCA912 - 2" Batten
 D1=2 1/8"



PCA980-Counterflashing



Headwall Trim
PCA500 - 1" Seam and 1" Batten
 D1=4" / D2=4"
PCAXXX - 2" Batten
 D1=5 3/4" / D2=4"

Note: * denotes color side.
Note: Neoprene Closures are not required if Factory Pre Notched Z Closures are utilized.

ATAS ATAS INTERNATIONAL, INC
 Allentown PA
 610-395-8445
 Mesa AZ
 480-558-7210

REV. NO.		DATE	DESCRIPTION OF REVISION	BY	APP	TITLE	
1	6/4/2019		Updated Clip Information	AJZ	KRK	DWG. NO.	DR KRK DATE 9/16/2014
1	6/29/18		Updated Substrate and Trims	MBP	APP	MATERIAL	DATE
						SH. SIZE	B SCALE X:X