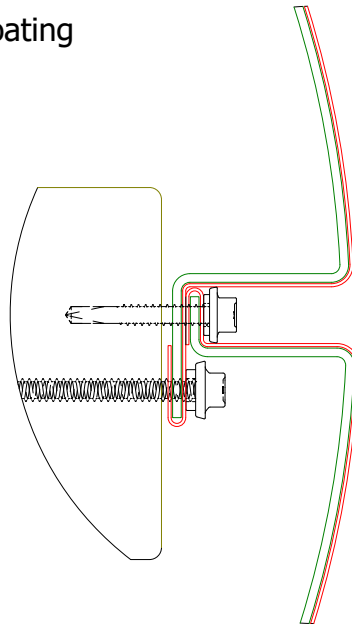
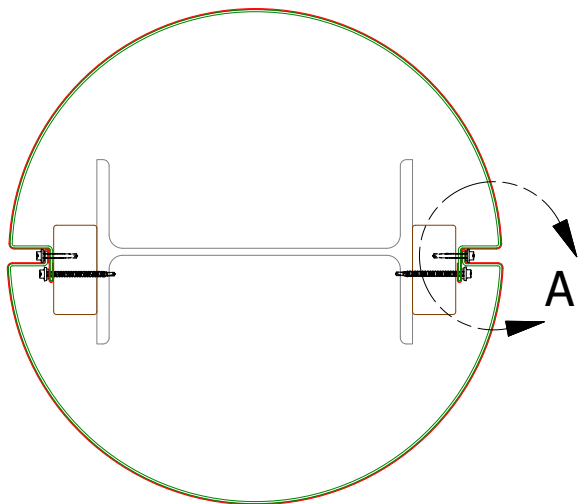
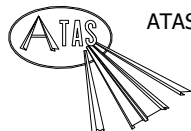


Materials:

18Ga 55% Al-Zn Alloy Coated Steel with Acrylic Coating
 .032 Aluminum Shroud, Customer Specified Color



DETAIL A

	ATAS INTERNATIONAL, INC Allentown PA 610-395-8445 Mesa AZ 480-558-7210		
	TITLE VISUAL RELIEF COLUMN COVER		
DWG. NO.	DR	WH	DATE
	APP		8/18/2025
MATERIAL	SH. SIZE	A	SCALE
			X:X

REV. NO.	DATE	DESCRIPTION OF REVISION	BY	APP