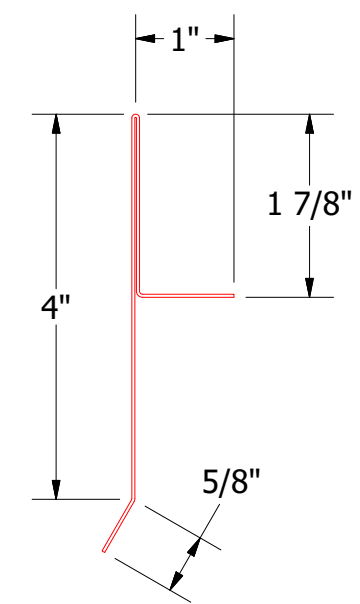
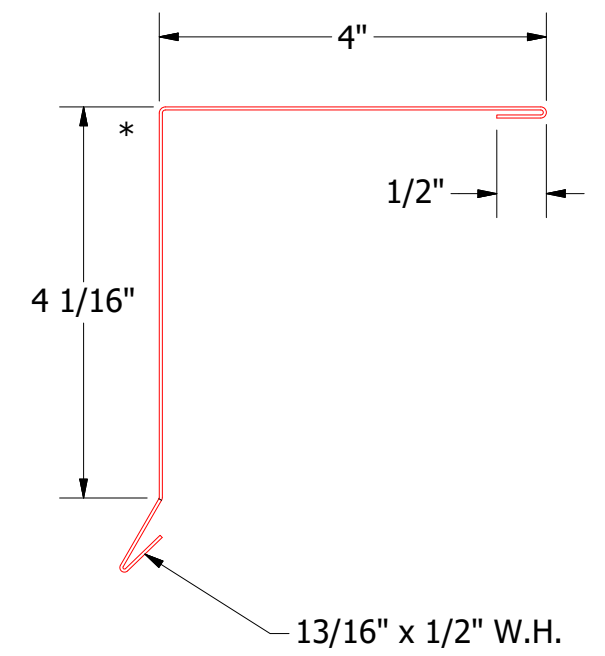


FLA916-Z Closure



FLA217-Gable Trim Starter Cleat



FLA218-Gable Trim Cap

Note: * denotes color side.

REV. NO.	DATE	DESCRIPTION OF REVISION	BY	APP	TITLE	DWG. NO.	DR	DATE
2	5/30/2019	Updated Clip Information	AJZ	KRK	FLM Starting Gable Detail		KRK	9/11/2014
1	6/20/18	Updated Substrate and Trims	MBP					
						MATERIAL	SH. SIZE	SCALE
							B	X:X

ATAS INTERNATIONAL, INC
 Allentown PA
 610-395-8445
 Mesa AZ
 480-558-7210