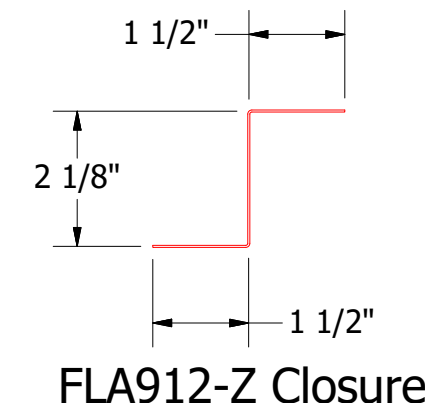
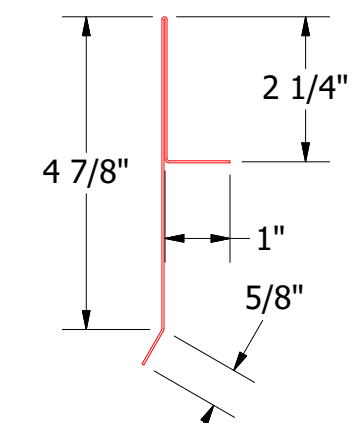


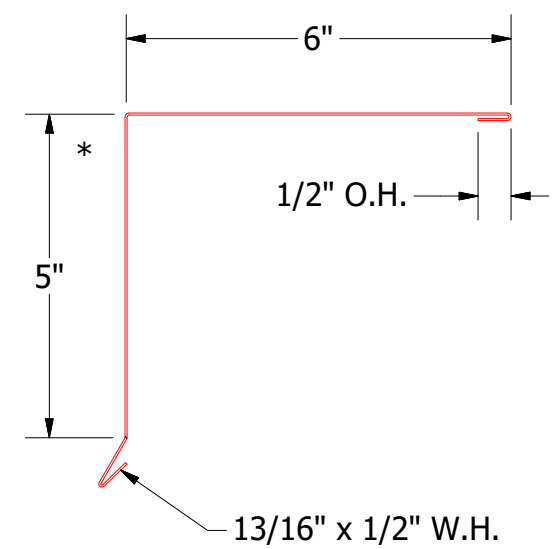
Butyl Tape Detail



FLA912-Z Closure



FLA215-Gable Starter Cleat



FLA210-Gabe Trim Cap

Note: * denotes color side.

| | | | |
|--|--|---|----------------|
| | | ATAS INTERNATIONAL, INC Allentown PA 610-395-8445 Mesa AZ 480-558-7210 | |
| TITLE FLR Starting Gable Detail | | | |
| DWG. NO. | | DR KRK | DATE 10/3/2014 |
| 1 5/31/2019 Updated Clip Information | | APP KRK | DATE |
| REV. NO. DATE DESCRIPTION OF REVISION | | BY APP | MATERIAL |
| | | SH. SIZE B | SCALE X:X |