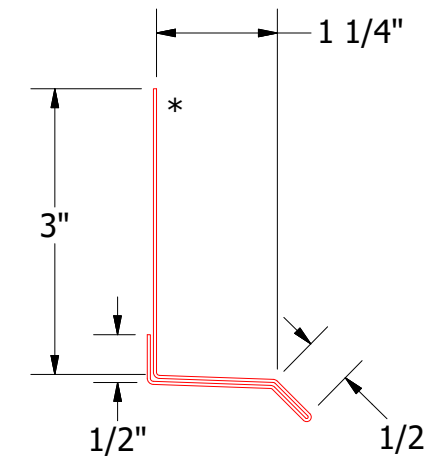
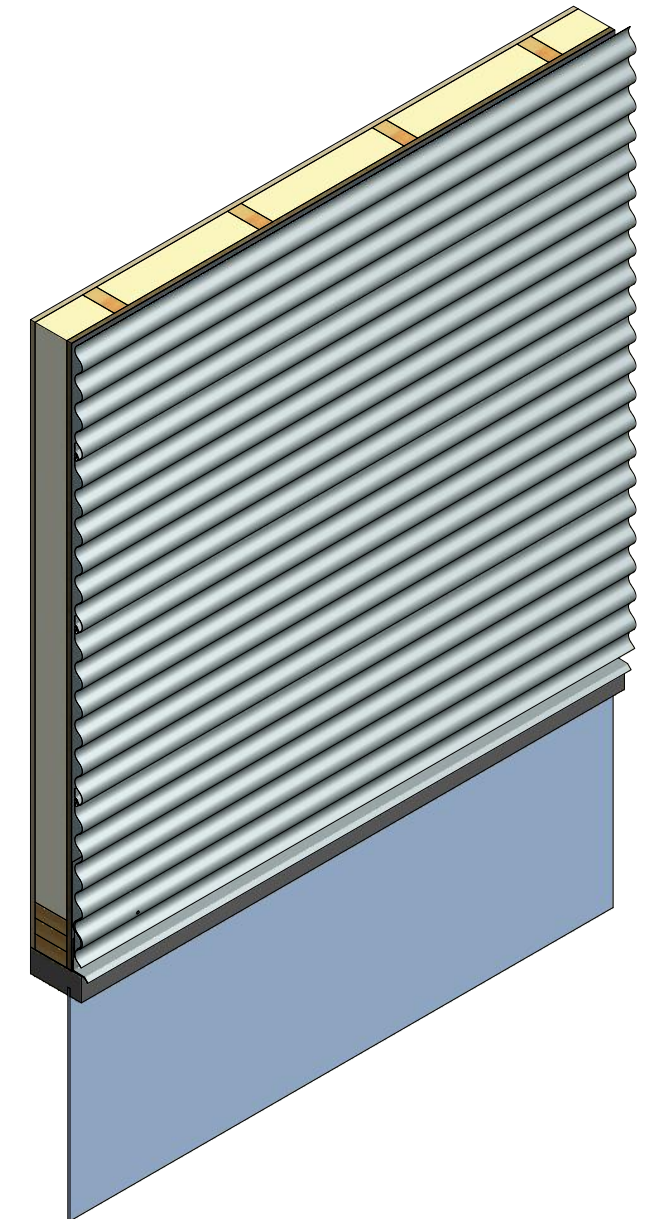
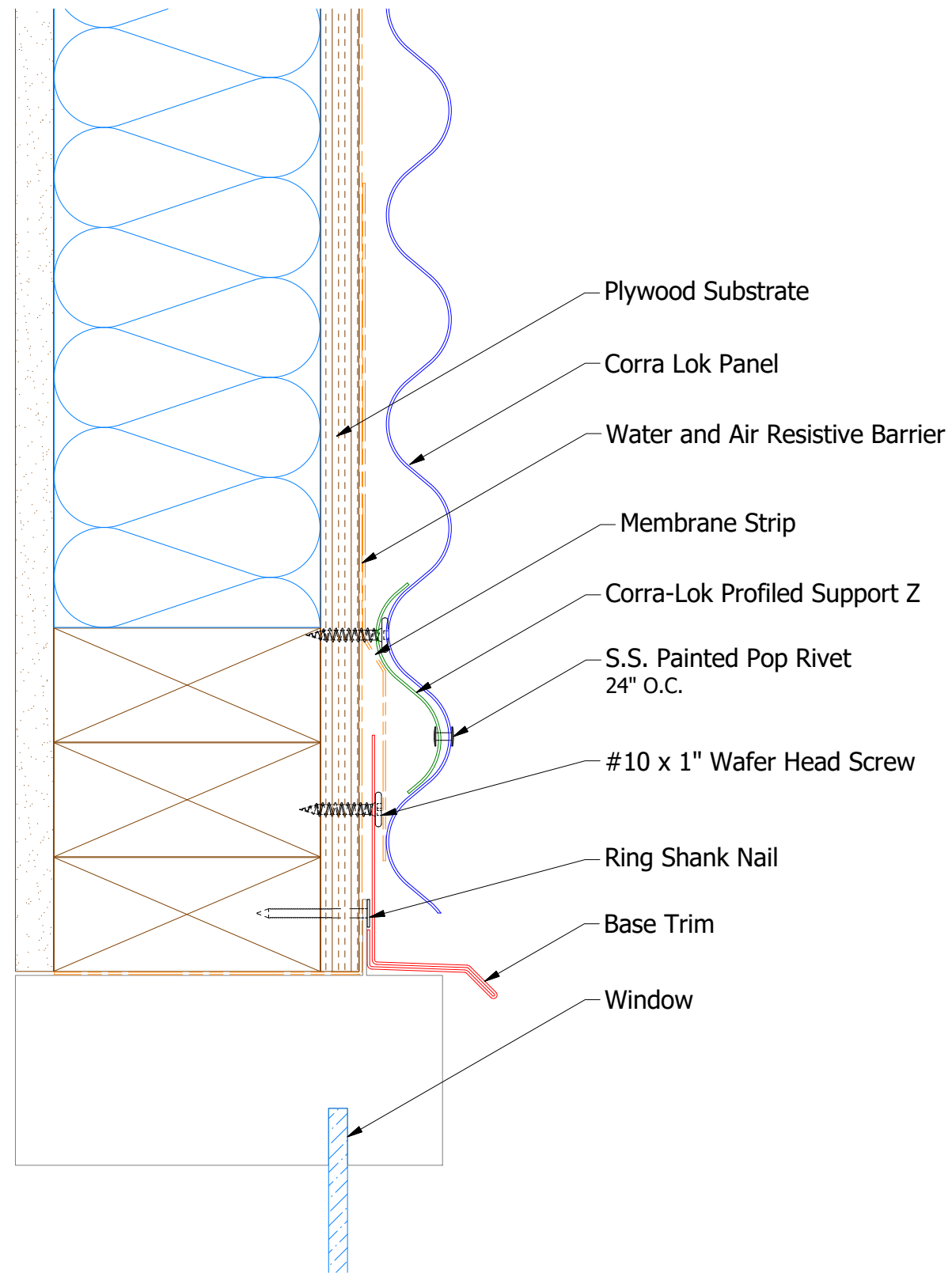
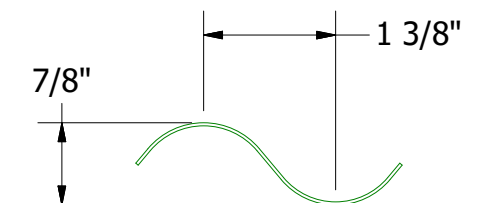


Horizontal Panel



MCA661 - Base Trim



MCA682
Corra-Lok Profiled Support Z

		ATAS INTERNATIONAL, INC Allentown PA 610-395-8445 Mesa AZ 480-558-7210	
TITLE Corra Lok Head Window Flange Detail			
DWG. NO.	DR	DATE	
01	MBP	7/25/2018	
REV. NO.	APP	DATE	
01			
DATE	DESCRIPTION OF REVISION	BY	APP
2/18/2020	Replaced Support Z with Corra-Lok Profiled Support Z	KRK	
		SH. SIZE	SCALE
		B	X:X

Note: * denotes color side.