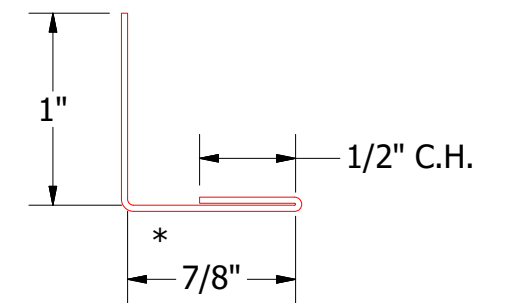
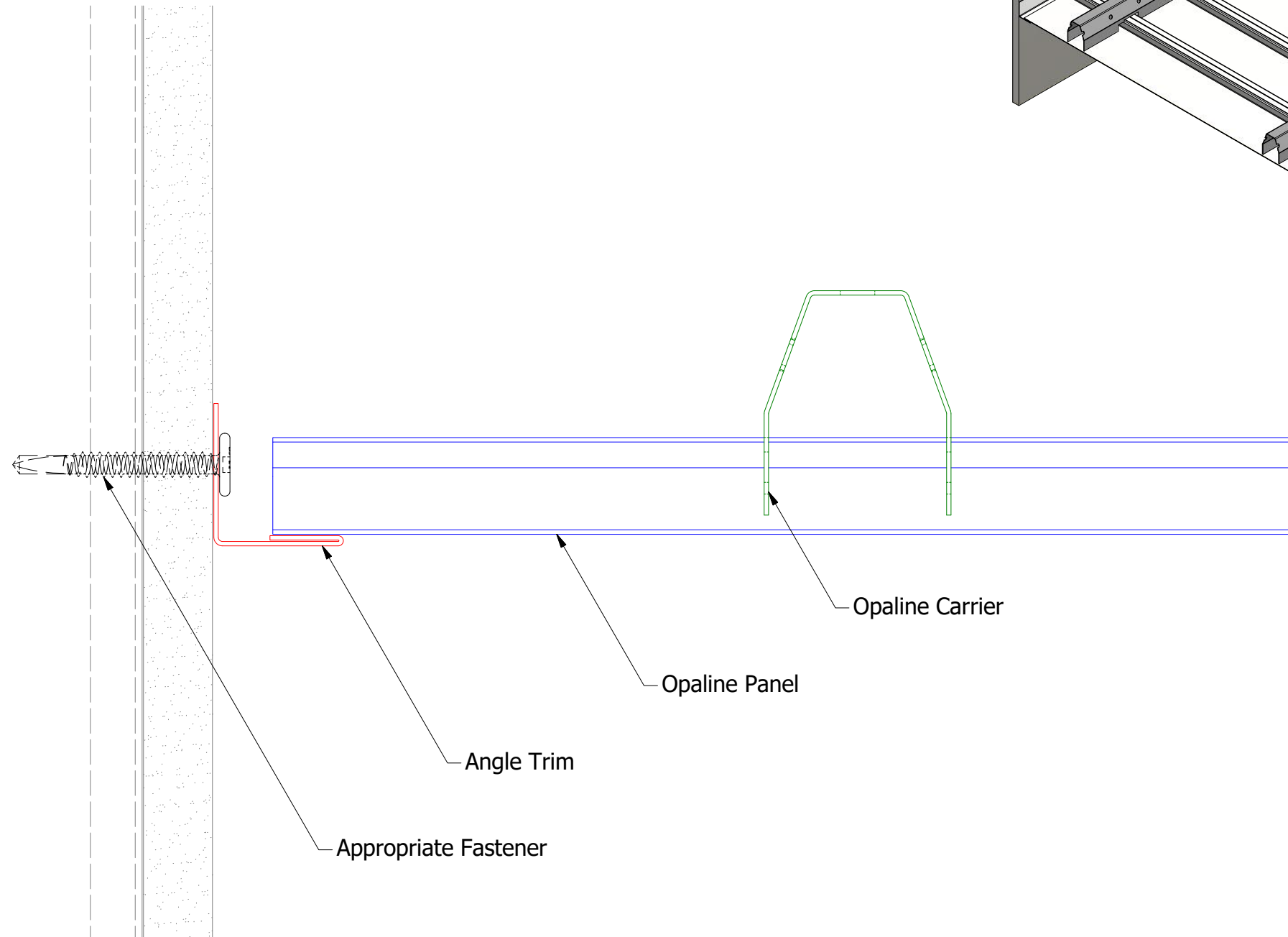
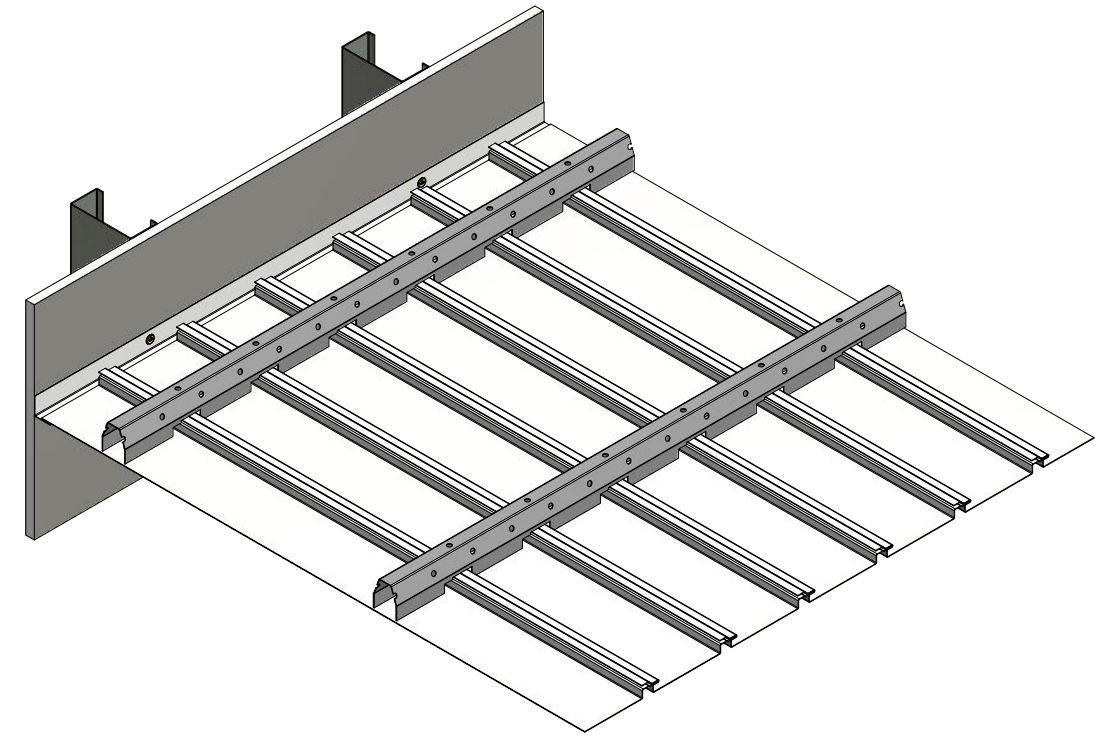


Note: * denotes color side.



TITLE		Opaline Panel Detail	
DWG. NO.	DR	APP	DATE
	KRK		3/15/2024
MATERIAL	SH. SIZE	SCALE	
	B	X:X	

REV. NO.	DATE	DESCRIPTION OF REVISION	BY	APP



Angle Trim

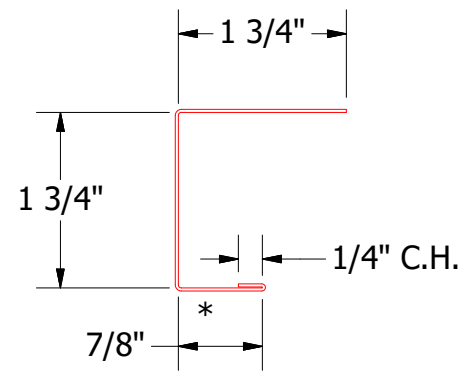
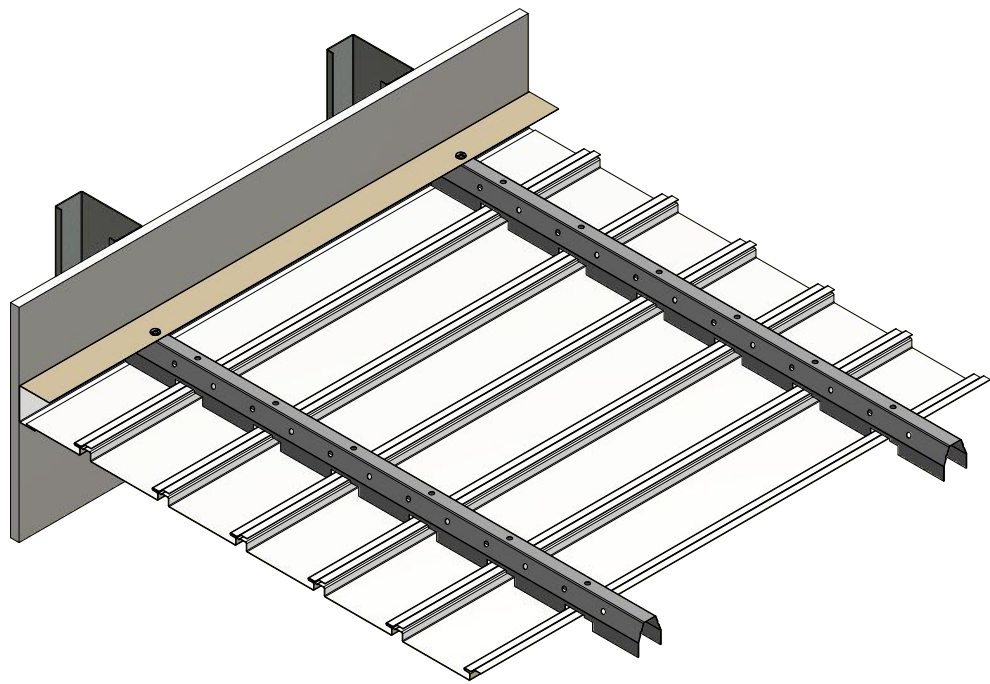
Note: * denotes color side.



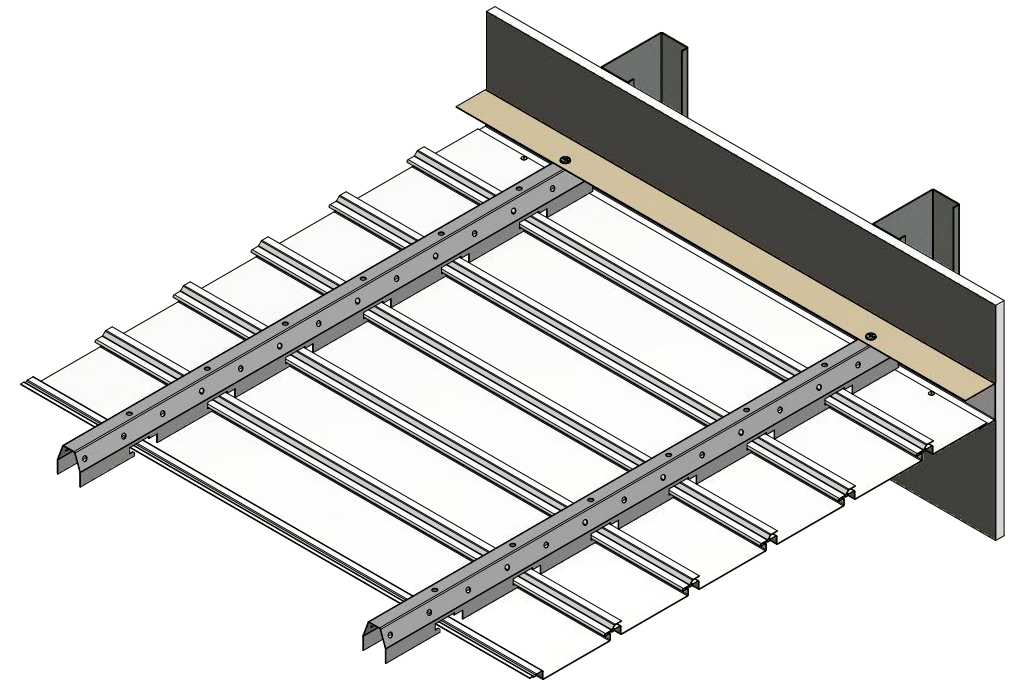
ATAS INTERNATIONAL, INC
 Allentown PA
 610-395-8445
 Mesa AZ
 480-558-7210

TITLE		Opaline Angle Trim Carrier Detail	
DWG. NO.	DR	DATE	DATE
	DMR	10/2/2020	
MATERIAL	APP	DATE	
	SH. SIZE	B	SCALE X:X

REV. NO.	DATE	DESCRIPTION OF REVISION	BY	APP
02	5/9/2023	Updated Substrate and Fastener	KRK	
01	3/18/2022	Updated Carrier Profile	KRK	

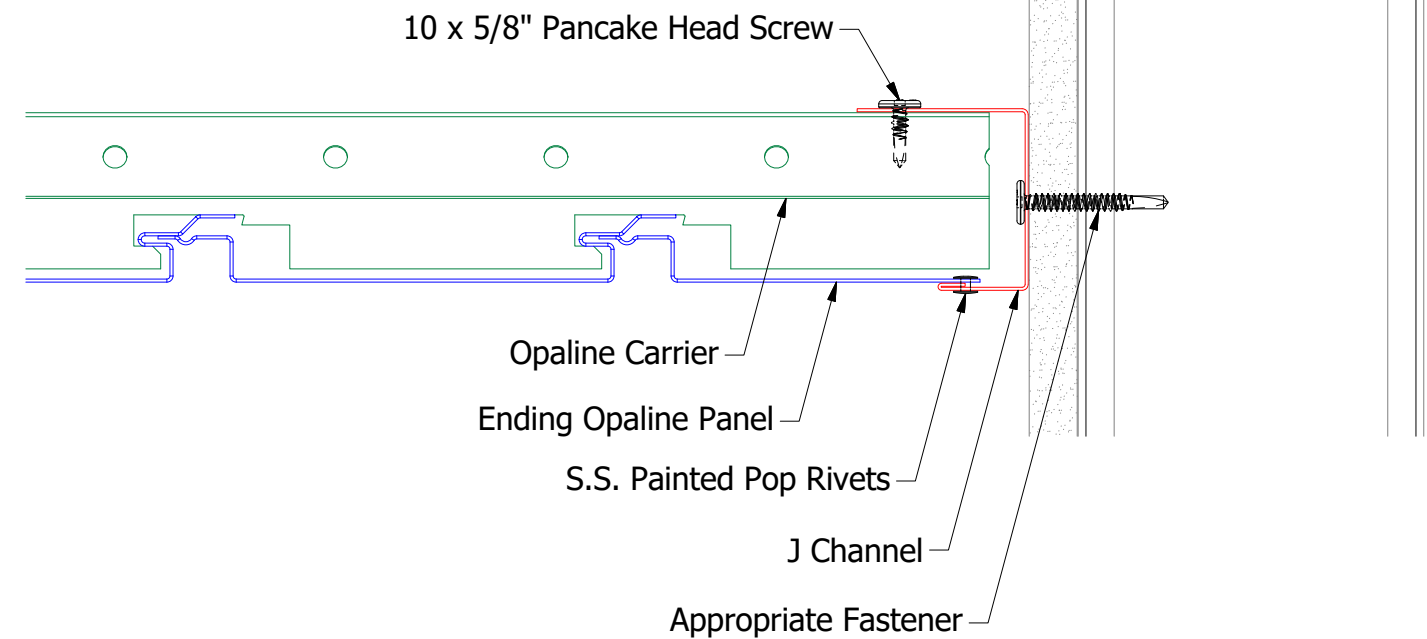
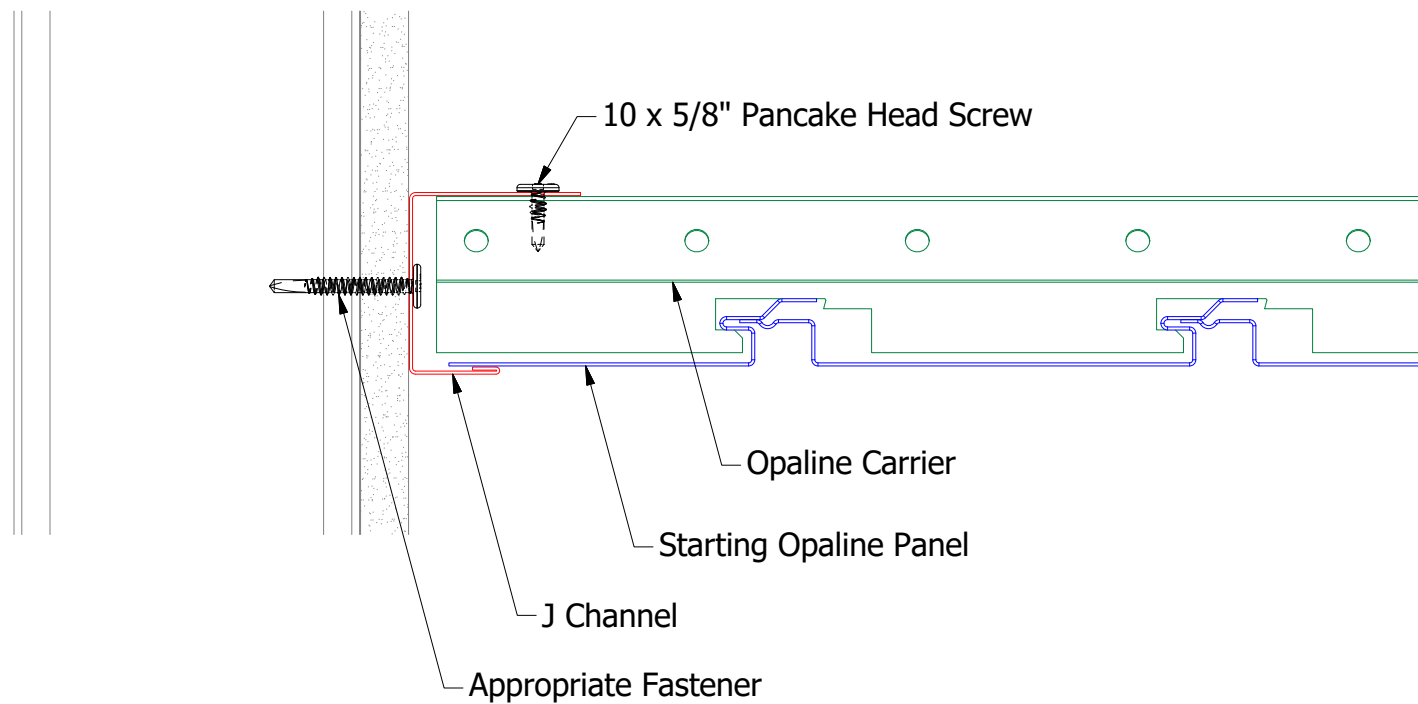


J Channel

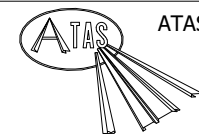


Starting Panel

Ending Panel



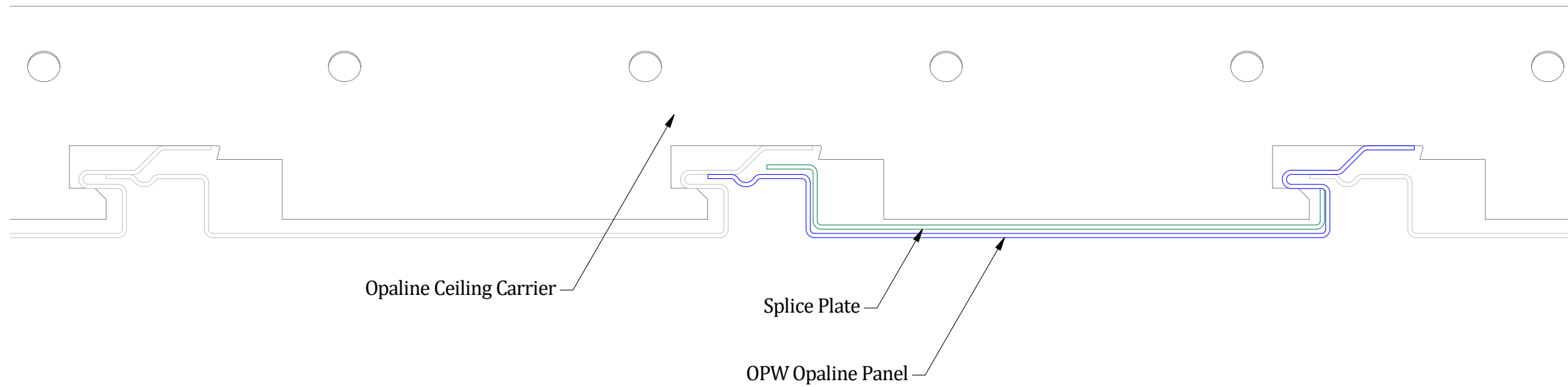
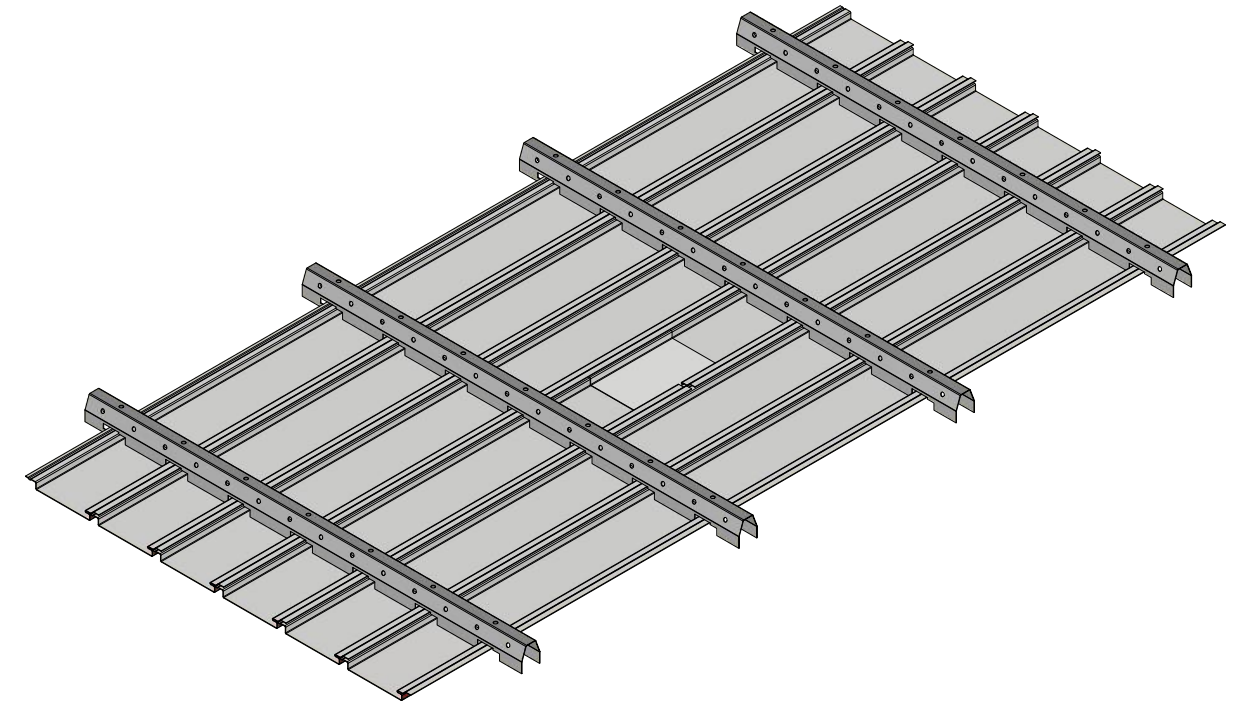
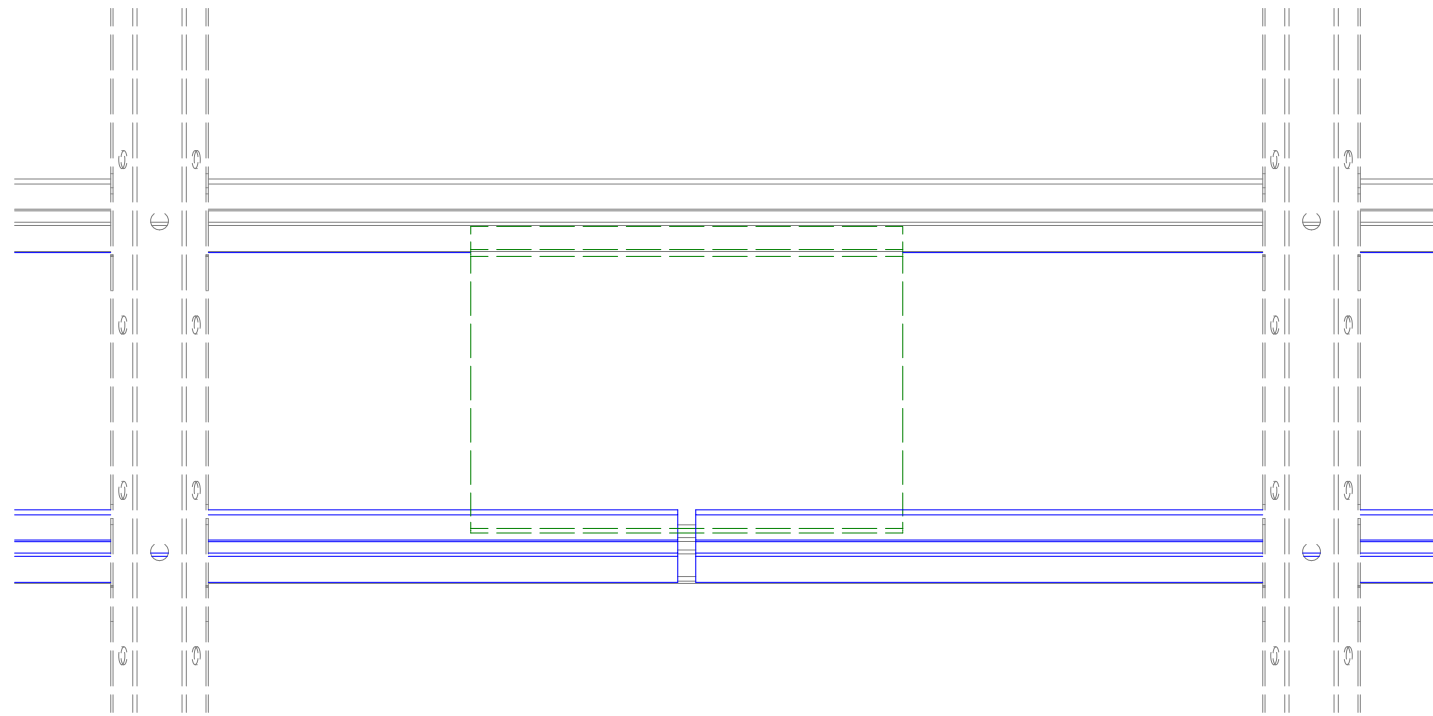
Note: * denotes color side.



ATAS INTERNATIONAL, INC
 Allentown PA
 610-395-8445
 Mesa AZ
 480-558-7210

TITLE Opaline Carrier J Channel Detail

REV. NO.	DATE	DESCRIPTION OF REVISION	BY	APP	DWG. NO.	DR	DATE
						KRK	5/3/2023
					MATERIAL	APP	DATE
						SH. SIZE	SCALE
						B	X:X



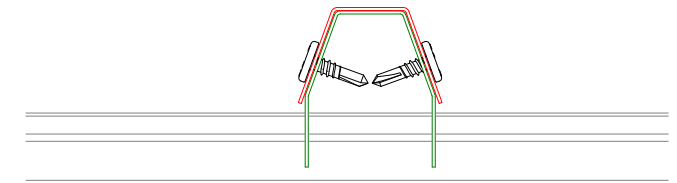
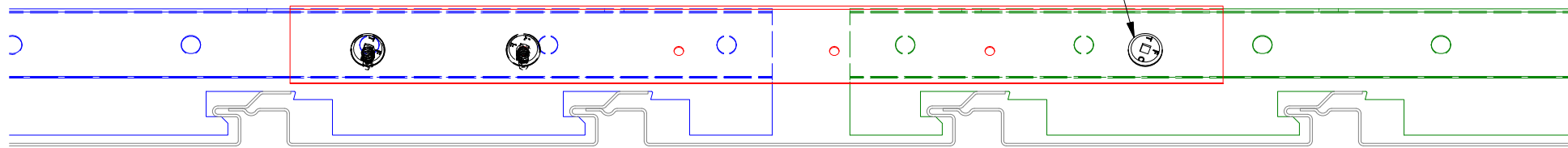
Notes:
1) 20'-0" Maximum Panel Lengths

ATAS International, Inc.
Sustainable Solutions For A Better Future
www.atas.com | info@atas.com
800.468.1441

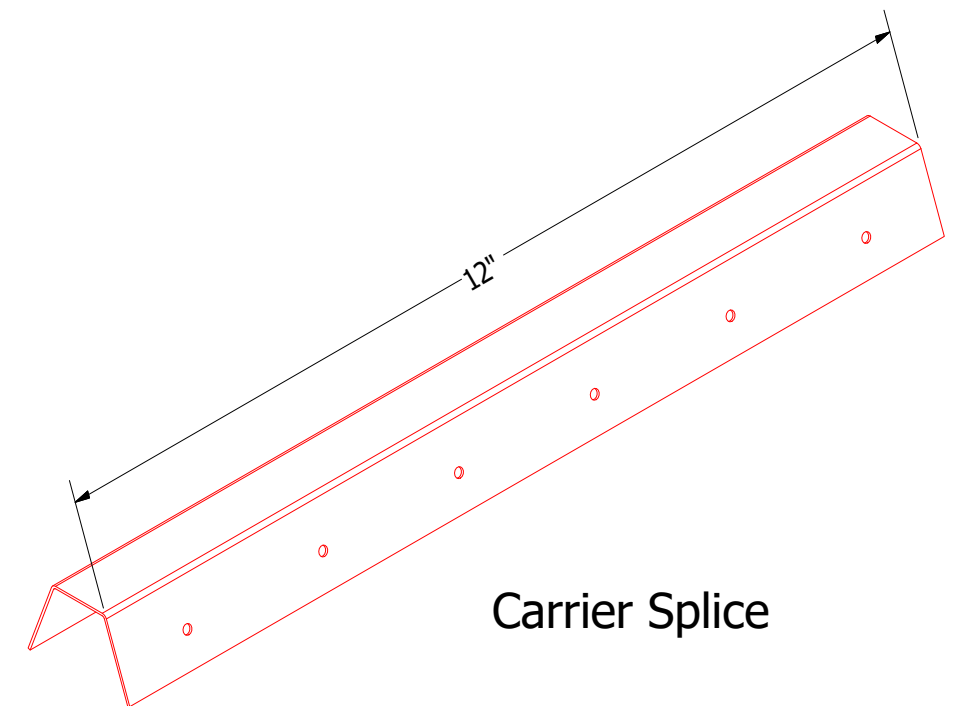
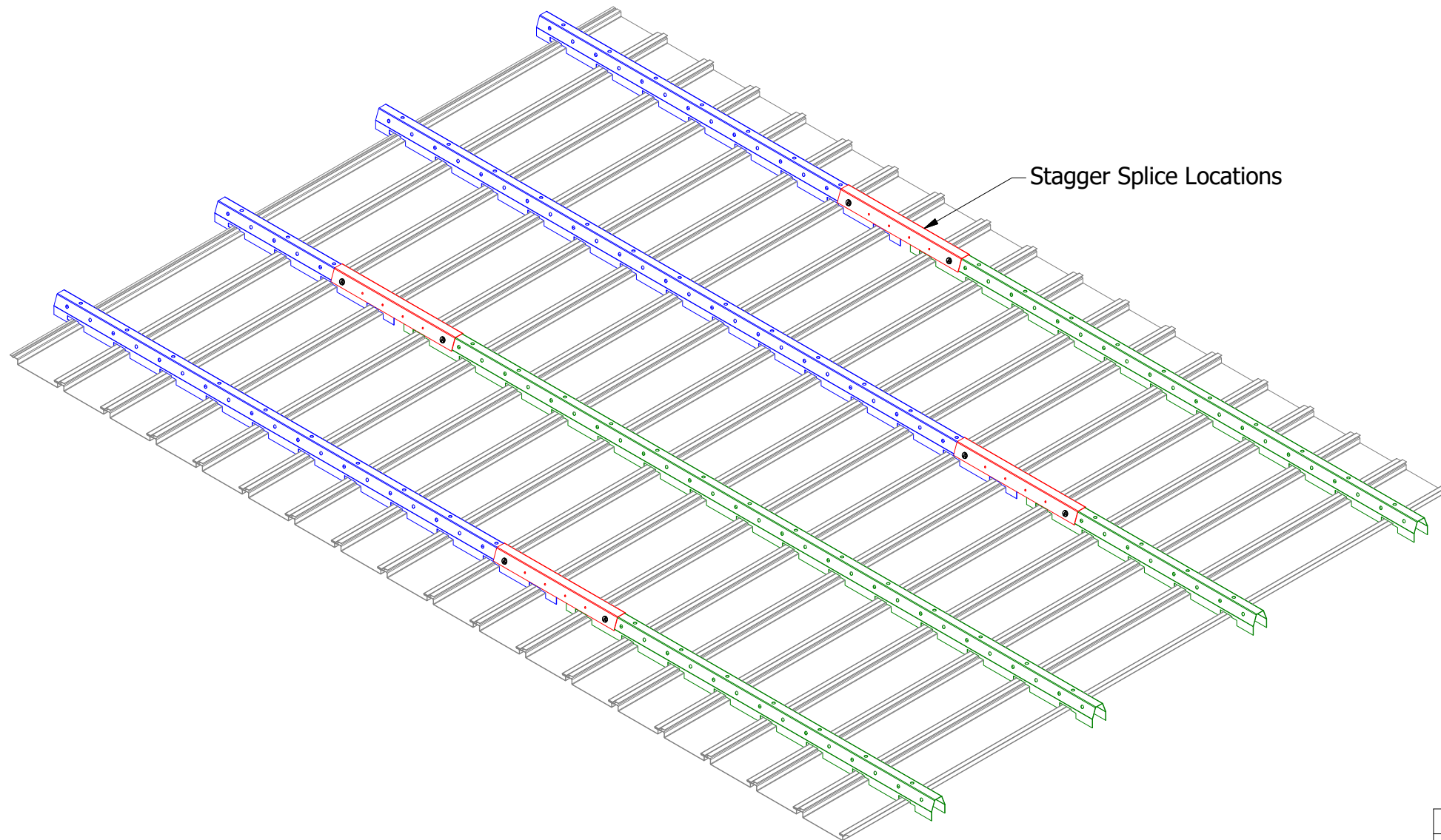
DWG TITLE:		Carrier Panel Splice Assembly	
DWG No:	DWG BY:	DWG DATE:	
	K.R.K.	6/7/2022	
PANELS/PRODUCT:	APP BY:	APP DATE:	
(OP) Opaline™	D.S.	6/7/2022	
	SHEET SIZE:	SCALE:	
	B	X : X	

REV. NO.	DATE	DESCRIPTION OF REVISION	BY	APP
1	4/30/2026	Removed VHD Tape and Notes. Revised drawing onto new template	M.L.P.	D.S.
0	6/7/2022	Initial Release	K.R.K.	D.S.

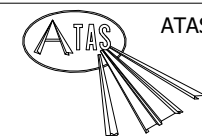
Before securing Splice on both sides, ensure Carrier to Carrier spacing is right for correct panel engagement.



Stagger Splice Locations

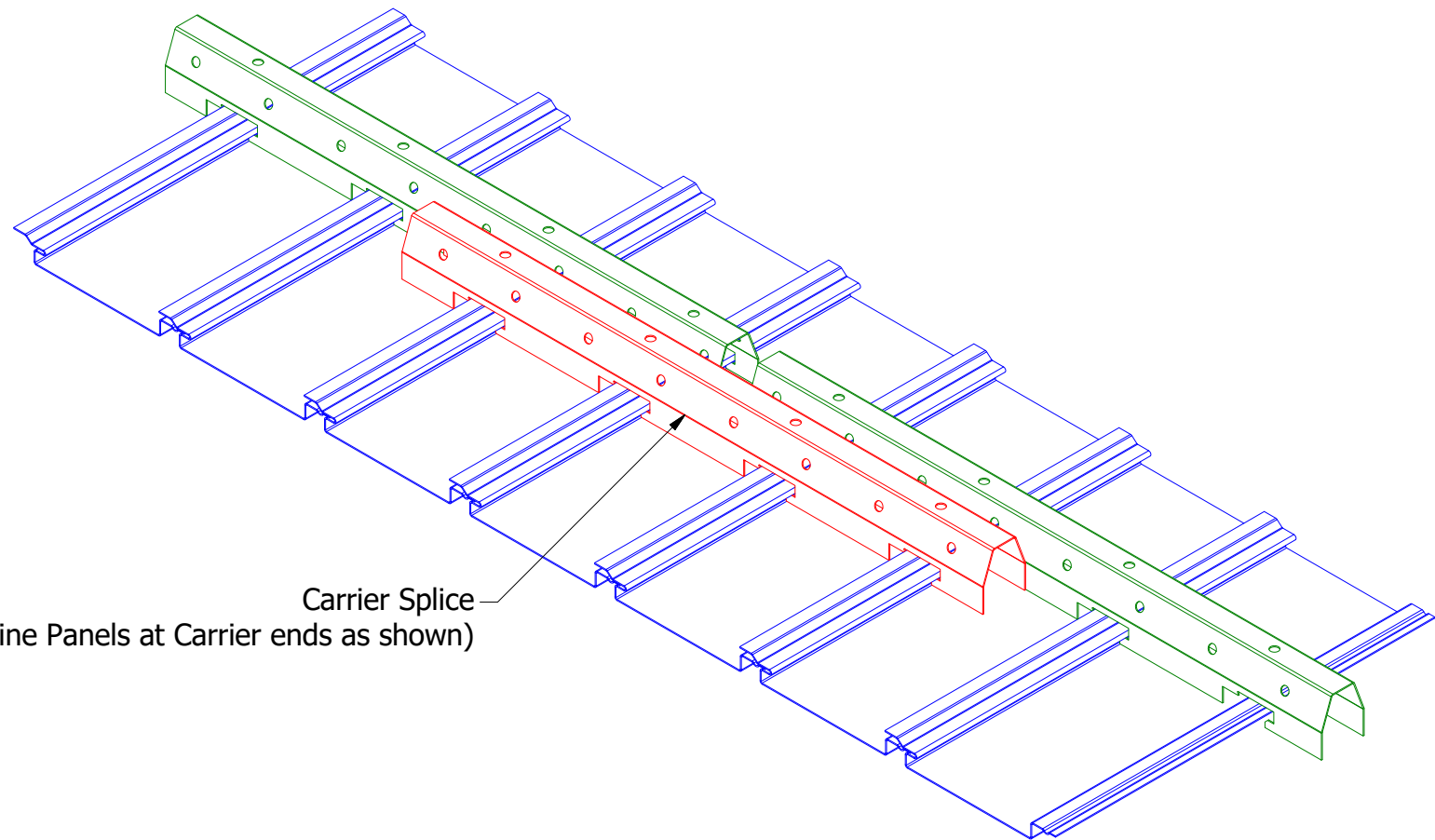


Carrier Splice

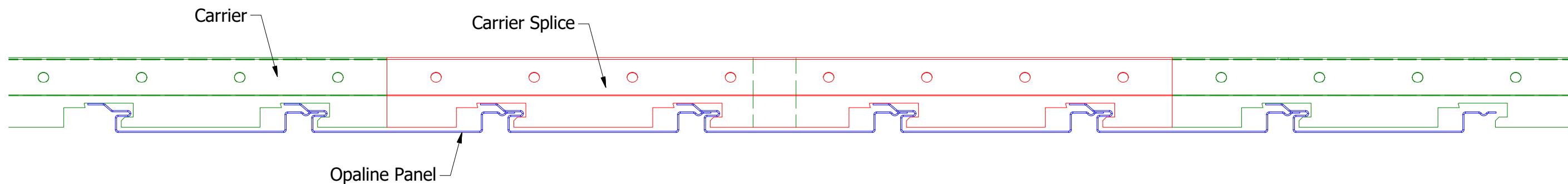


ATAS INTERNATIONAL, INC
 Allentown PA
 610-395-8445
 Mesa AZ
 480-558-7210

				TITLE Opaline Carrier Splice Option 1 Detail	
		DWG. NO.		DR	DATE
01	3/15/2024	Updated Splice Installation Instructions	KRK	KRK	9/15/2023
REV. NO.	DATE	DESCRIPTION OF REVISION	BY	APP	SCALE
					X:X



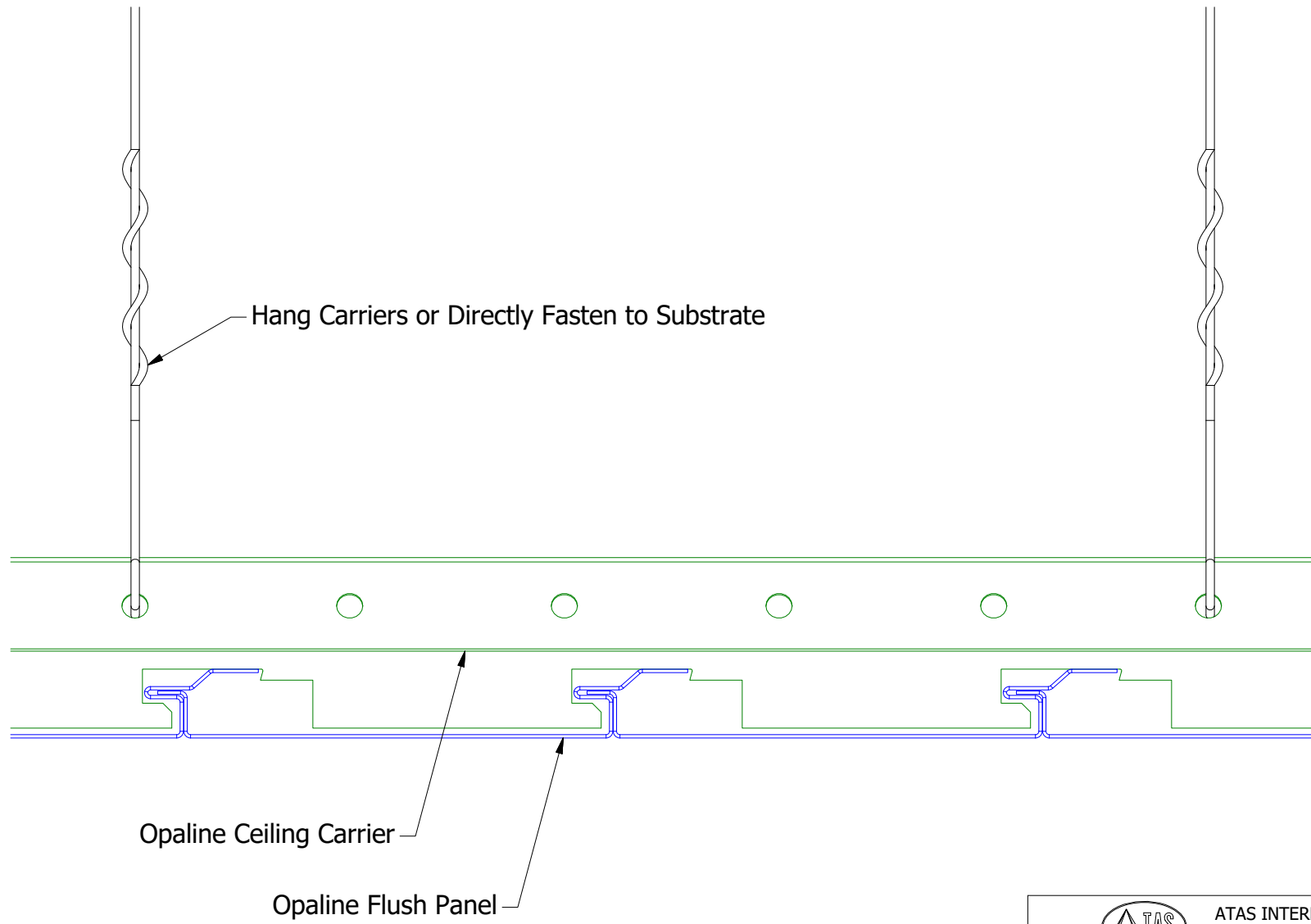
Carrier Splice
 (install on Opaline Panels at Carrier ends as shown)



ATAS INTERNATIONAL, INC
 Allentown PA
 610-395-8445
 Mesa AZ
 480-558-7210

TITLE
Opaline Carrier Splice Option 2 Detail

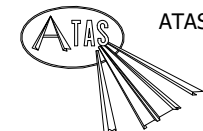
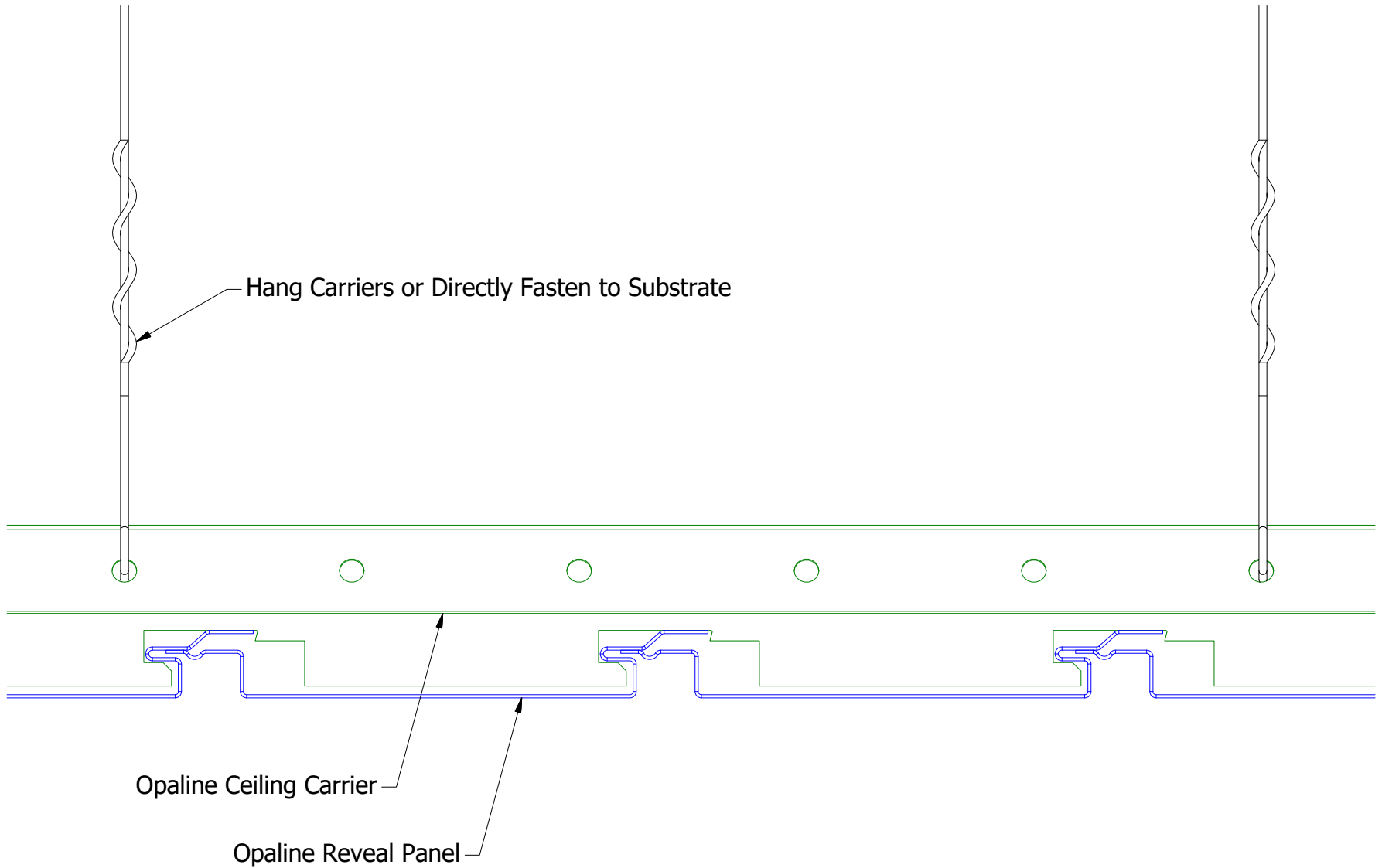
REV. NO.	DATE	DESCRIPTION OF REVISION	BY	APP	DWG. NO.	DR KRK	DATE 11/1/2021
					MATERIAL	APP	DATE
					SH. SIZE	B	SCALE X:X



ATAS INTERNATIONAL, INC
 Allentown PA
 610-395-8445
 Mesa AZ
 480-558-7210

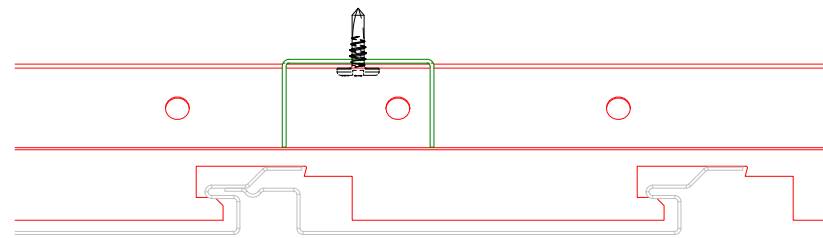
TITLE		Opaline Flush Panel and Carrier Profile Detail	
DWG. NO.	DR	APP	DATE
	KRK		3/27/2020
MATERIAL	SH. SIZE	SCALE	
	A	X:X	

REV. NO.	DATE	DESCRIPTION OF REVISION	BY	APP
01	4/29/2022	Updated Carrier Profile	KRK	

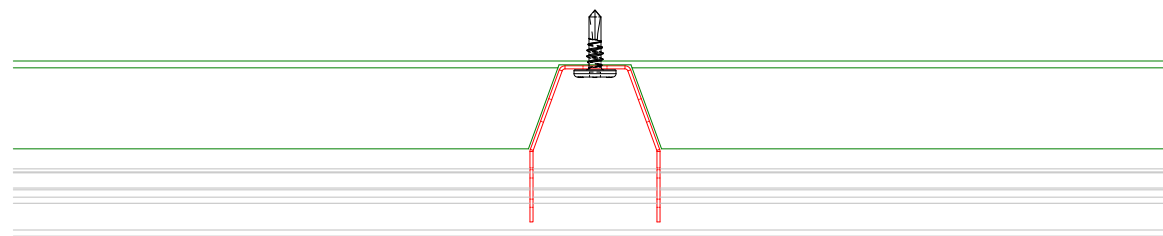


ATAS INTERNATIONAL, INC
 Allentown PA
 610-395-8445
 Mesa AZ
 480-558-7210

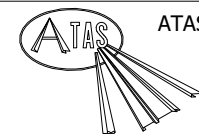
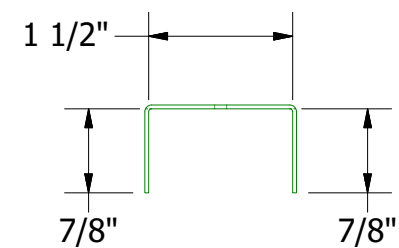
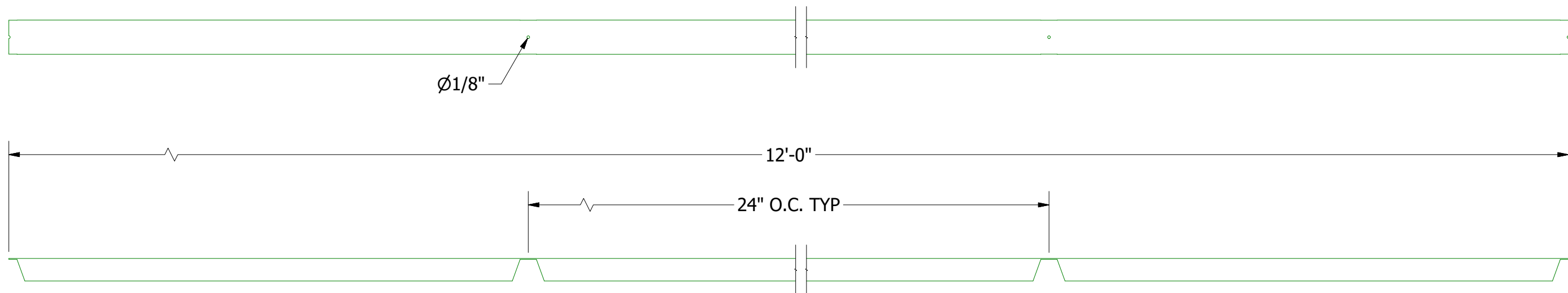
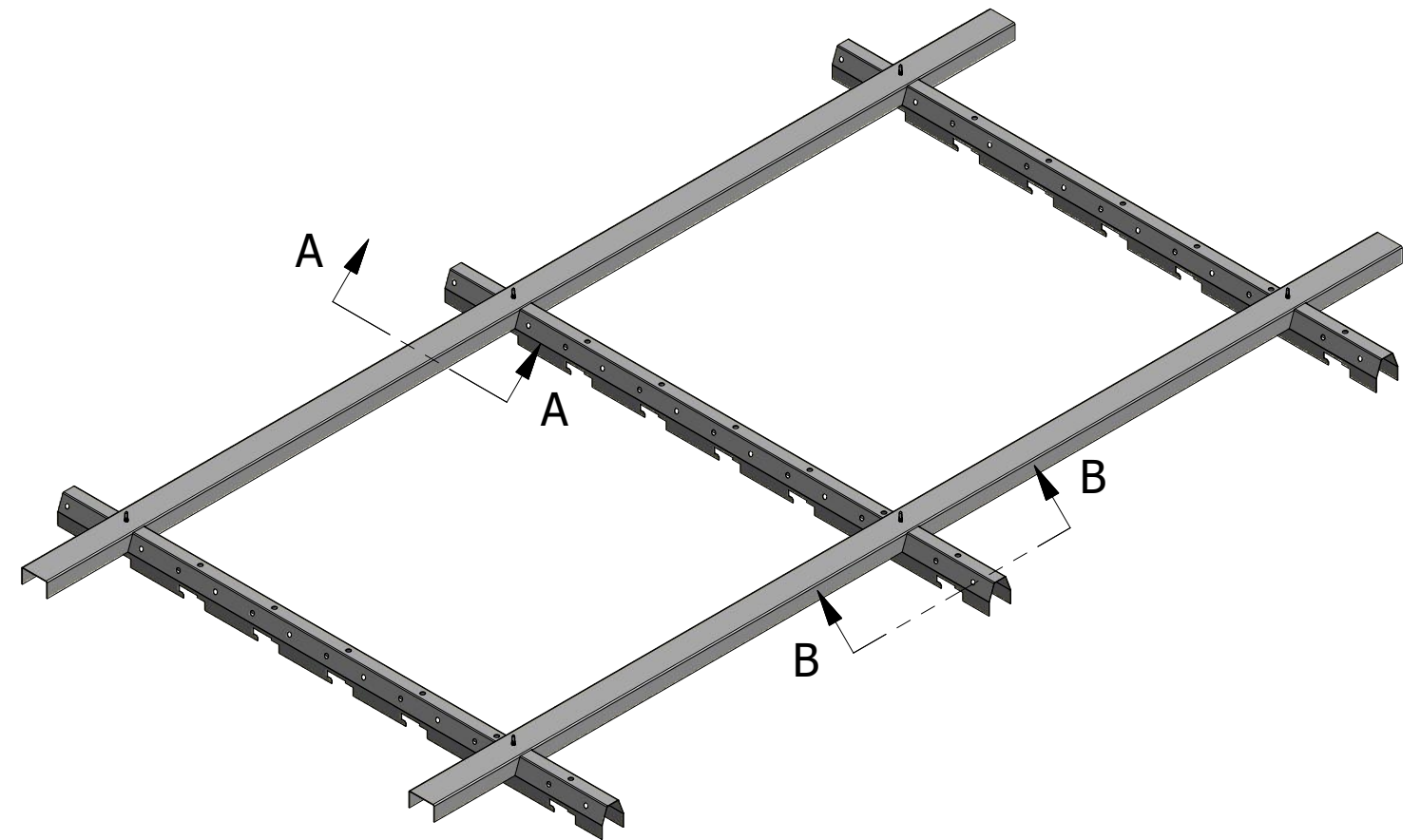
				TITLE		Opaline Reveal Panel and Carrier Profile Detail	
				DWG. NO.		DR	DATE
						KRK	3/30/2020
						APP	DATE
01	4/29/2022	Updated Carrier Profile	KRK	MATERIAL		SH. SIZE	SCALE
REV. NO.	DATE	DESCRIPTION OF REVISION	BY	APP	A		X:X



Section A-A



Section B-B



ATAS INTERNATIONAL, INC
 Allentown PA
 610-395-8445
 Mesa AZ
 480-558-7210

TITLE
Opaline Cross Carrier Spacer Detail

REV. NO.	DATE	DESCRIPTION OF REVISION	BY	APP	DWG. NO.	DR	DATE
						KRK	5/10/2023
					MATERIAL	APP	DATE
					SH. SIZE	B	SCALE
							X:X