



ATAS International, Inc.
Sustainable Solutions For A Better Future



ISOLEREN[®] INSULATED METAL PANELS

Roof & Wall Panels

FEATURES

Isoleren® insulated metal panels (IMPs) provide superior insulating properties and can be installed quickly. Because IMPs are a single-unit comprised of insulation sandwiched between two layers of metal skin, labor and material costs are minimized. The Isoleren RL insulated metal roof panel provides the look of a standing seam metal roof with maximum thermal performance. Isoleren insulated metal wall panels are available in five unique profiles and can be installed both vertically and horizontally for a distinct architectural look. Fire-rated wall panels are available in one, two and three-hour fire ratings.

ISOLEREN FEATURES

WALL & ROOF

All Isoleren panels, excluding Isoleren Fire-Rated, share the following specifications:

EXTERIOR FINISH

Polyester, Siliconized Polyester, 70% PVDF, Plastisol (Isoleren ML only), and Stainless (Isoleren ML only)

EXTERIOR GAUGE

As noted under each product

INTERIOR PROFILE

Isoleren ML

INTERIOR GAUGE

26, 24, 22

INTERIOR TEXTURE

Smooth or Embossed

INTERIOR FINISH

Polyester, Siliconized Polyester, 70% PVDF, Plastisol, Stainless

SUBSTRATE

55% Al-Zn Alloy Coated Steel with Acrylic Coating, G90 Galvanized and Stainless Steel

PANEL COVERAGE

42"

CORE

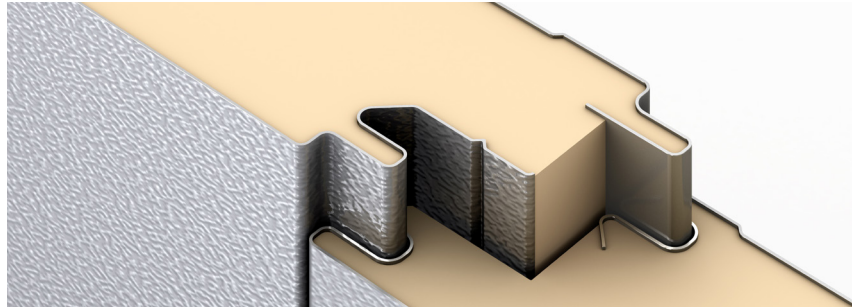
Continuously poured-in-place, polyisocyanurate, insulating foam

R-VALUE

R-8 per inch of thickness (nominal)

ON THE COVER: Isoleren ML | Charcoal Grey
 SterraCore | Brite Red & Dove Grey
 Transedge Modification Center
 Allentown, PA

PANEL INTERLOCK

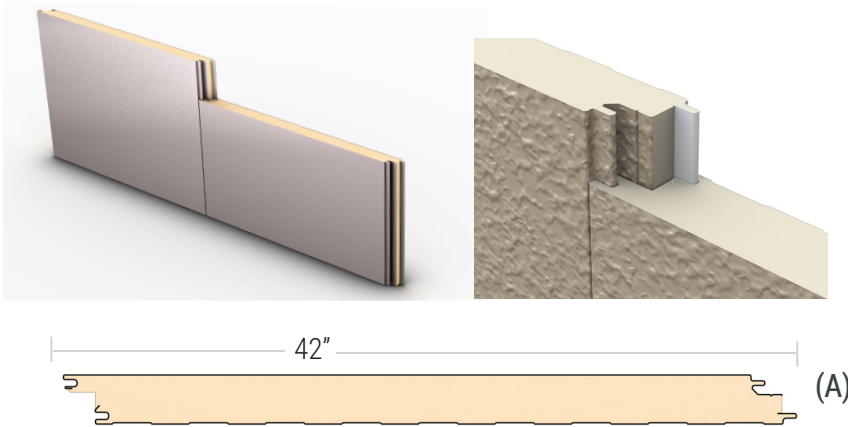


All Isoleren Wall Panels (Isoleren IM, Isoleren ML, Isoleren SL, Isoleren TE, and Isoleren WL) feature the interlock shown above.

ISOLEREN TEST DATA (WALL)

TEST PROTOCOL	DESCRIPTION
ENVIRONMENTAL PERFORMANCE	
ASTM C518	Steady-State Thermal Transmission Properties by Means of the Heat Flow Meter Apparatus
ASTM E283	Rate of Air Leakage Through Exterior Windows, Curtain Walls and Doors Under Specified Pressure Difference Across the Specimen
ASTM E331	Water Penetration of Exterior Windows, Skylights, Doors, and Curtain Walls by Uniform Static Air Pressure Difference
FOAM CORE CHARACTERISTICS	
ASTM C273	Shear Properties of Sandwich Core Metals
ASTM D1621	Compressive Properties of Rigid Cellular Plastics
ASTM D1622	Apparent Density of Rigid Cellular Plastics
ASTM D1623	Tensile and Tensile Adhesion Properties of Rigid Cellular Plastics
ASTM D6226	Open Cell Content of Rigid Cellular Plastics
FIRE RESISTANCE	
ASTM E84	Surface Burning Characteristics of Building Materials
NFPA 285	Standard Fire Test Method for Evaluation of Fire Propagation Characteristics of Exterior Non-Load-Bearing Wall Assemblies Containing Combustible Components
FM 4880	Factory Mutual Approval Standard for Class 1 Fire Rating of Insulated Wall or Wall and Roof/Ceiling Panels, Interior Finish Materials or Coatings and Exterior Wall Systems
IMPACT RESISTANCE	
FM 4881	Factory Mutual Approval Standard for Class 1 Exterior Wall Systems
ENGINEERING PROPERTIES	
ASTM E1592	Structural Performance of Sheet Metal Roof and Siding Systems by Uniform Static Air Pressure Difference
ASTM E72	Strength Tests of Panels for Building Construction
FM 4881	Factory Mutual Approval Standard for Class 1 Exterior Wall Systems
BOND STRENGTH	
Fatigue Endurance	2,000,000 Alternating Cycles of L/180 Deflection
Freeze/Heat Cycle	Twenty-One (21) Eight-hour Temperature Cycles (-20° F to 180° F)
Humidity Endurance	1,200 Hours of 93% Humidity at a Temperature of 158° F
Autoclave	Exposure to 218° F and a Pressure of 2-psig for 2½ Hours

WALL PANELS



ISOLEREN® IM

SKU: IIM

EXTERIOR GAUGE:
24

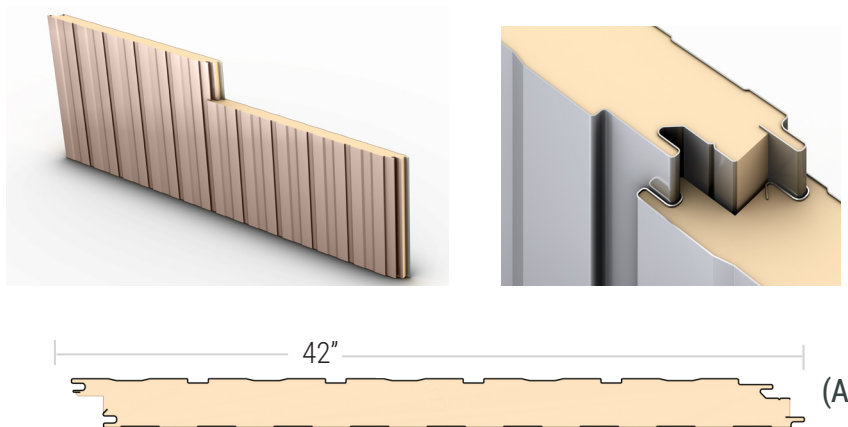
THICKNESS (A):
2", 2½", 3", and 4"

EXTERIOR TEXTURE:
Troweled Embossed

STANDARD LENGTHS:
8'-0" to 53'-0"



For more information: Visit www.atas.com/isolerenim



ISOLEREN® SL

SKU: ISL

EXTERIOR GAUGE:
26, 24, 22

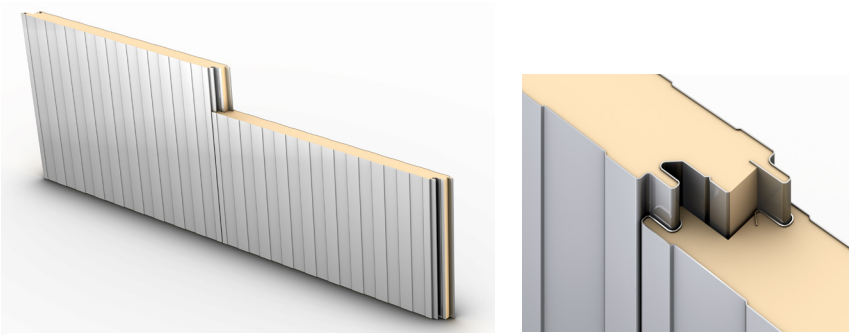
THICKNESS (A):
2", 2½", 3", 4", 5", and 6"

EXTERIOR TEXTURE:
Smooth or Embossed

STANDARD LENGTHS:
8'-0" to 53'-0"

For more information: Visit www.atas.com/isolerenisl

WALL PANELS



ISOLEREN® ML

SKU: IML

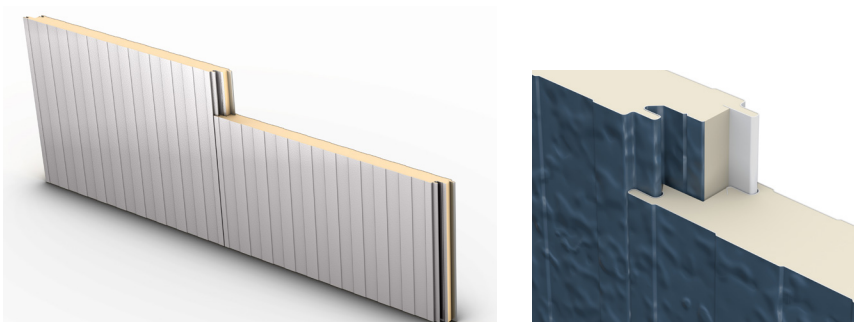
EXTERIOR GAUGE:
26, 24, 22

THICKNESS (A):
2", 2½", 3", 4", 5", and 6"

EXTERIOR TEXTURE:
Smooth or Embossed

STANDARD LENGTHS:
8'-0" to 53'-0"

 For more information: Visit www.atas.com/isolerenml



ISOLEREN® TE

SKU: ITE

EXTERIOR GAUGE:
26, 24

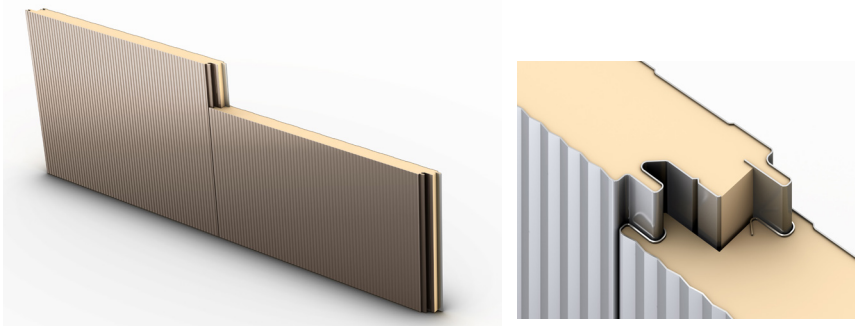
THICKNESS (A):
2", 2½", 3", 4", 5", and 6"

EXTERIOR TEXTURE:
Troweled Embossed

STANDARD LENGTHS:
8'-0" to 53'-0"



 For more information: Visit www.atas.com/isolerenite



ISOLEREN® WL

SKU: IWL

EXTERIOR GAUGE:
24, 22

THICKNESS (A):
2", 2½", 3", and 4"

EXTERIOR TEXTURE:
Smooth or Embossed

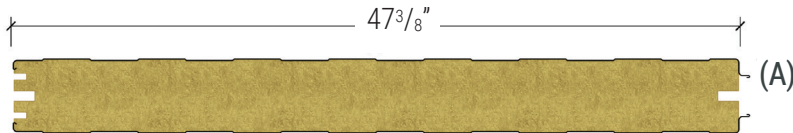
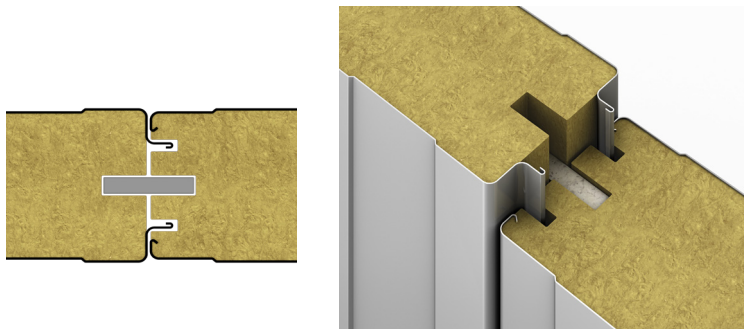
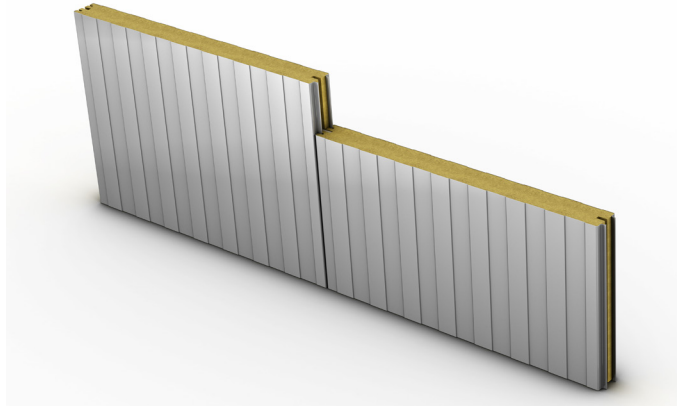
STANDARD LENGTHS:
8'-0" to 40'-0"

 For more information: Visit www.atas.com/isolerenwl



CubSMART
Astoria, NY
Isoleren WL in Dove Grey &
Custom Red

FIRE-RATED WALL PANEL



PERFORMANCE (FIRE-RATED)

Panel Thickness (in.)	Fire Rating (hr.)	Weight (psf)	Thermal U-factor	R-Factor
4	1	4.6	0.069	14.49
5	2	5.3	0.055	18.18
6	3	6.0	0.046	21.74
8	3	7.5	0.035	28.57
10	3	8.9	0.028	35.71
12	3	10.3	0.023	43.48



Scan to view
Fire Rated Core
Color Chart

www.atas.com/firecorecolors

ISOLEREN® FIRE-RATED

SKU: IMF, ISF

THICKNESS (A)

4", 5", 6", 8", 10", and 12"

AVAILABLE LENGTHS

Minimum 8'-0" to maximum 30'-0",
over 30'-0", please inquire

EXTERIOR PROFILE

Isoleren MF, SF

EXTERIOR GAUGE

26, 24

EXTERIOR FINISH

70% PVDF, Siliconized Polyester

EXTERIOR/INTERIOR

Embossed

INTERIOR PROFILE

Isoleren ML

INTERIOR GAUGE

26, 24

INTERIOR FINISH

Siliconized Polyester,
Plastisol available

SUBSTRATE

55% Al-Zn Alloy Coated Steel with Acrylic
Coating, G90 Galvanized, and Stainless
Steel

CORE

ROCKWOOL® ConRock L structural
mineral wool


K FACTOR

0.277 Btu-in/hr-ft²-F° @ 40 F° mean
temperature (R-3.61)

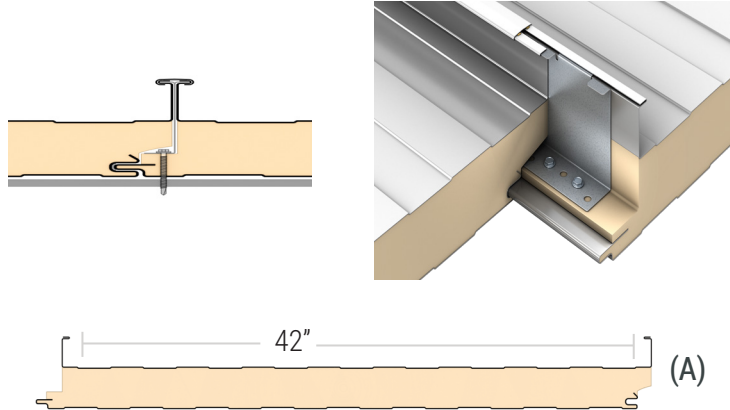
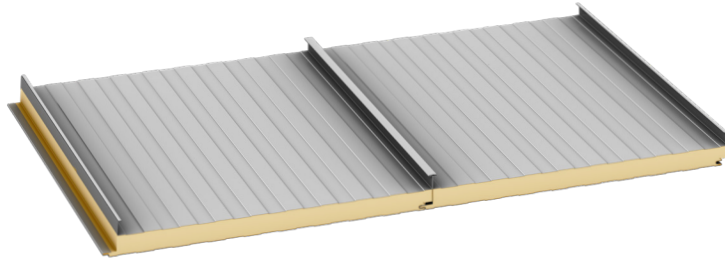
SPLINES

Fiber-reinforced cement board
(1/2" x 2 3/4" x 8' long)

* Fire Rated colors may differ. Contact ATAS for more info.

 For more information: Visit www.atas.com/isolerenfirerated

ROOF PANEL



ISOLEREN[®] RL

SKU: IRL

THICKNESS (A)

2 1/2", 3", 4", 5", and 6"

RIB TYPE

2 3/8" tall, tee-shaped rib with separate batten

ATTACHMENT

Mechanically seamed rib with clip

EXTERIOR TEXTURE

Smooth

STANDARD LENGTHS

12'-0" to 53'-0"

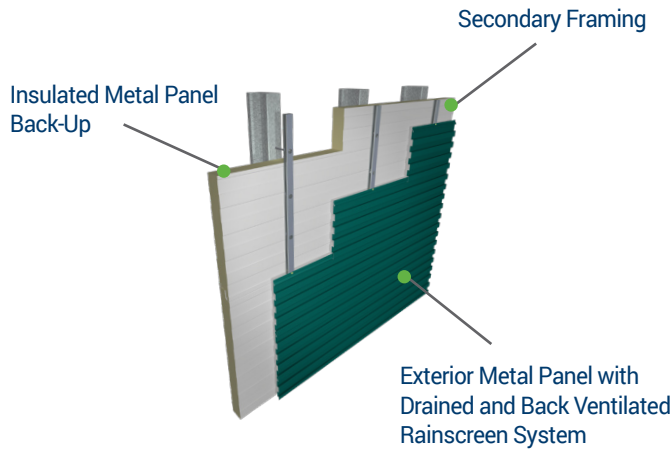
EXTERIOR GAUGE

24, 22

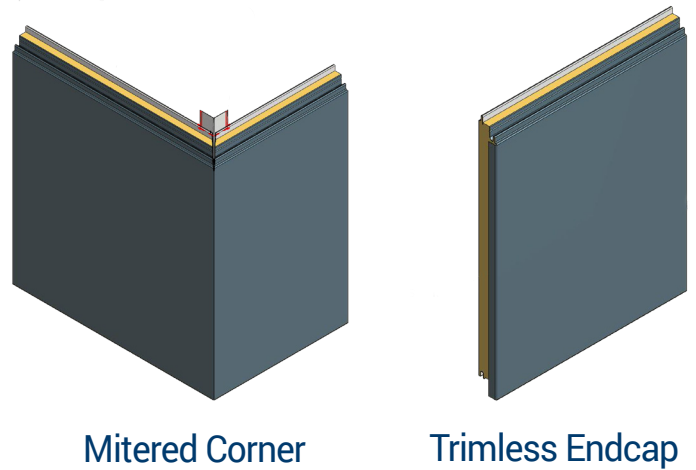
ISOLEREN TEST DATA (ROOF)

TYPE	TEST PROTOCOL	DESCRIPTION
ENVIRONMENTAL PERFORMANCE	ASTM C518	Steady-State Thermal Transmission Properties by Means of the Heat Flow Meter Apparatus
	ASTM E1680	Rate of Air Leakage Through Exterior Metal Roof Panel System
	ASTM E1646	Water Penetration of Exterior Metal Roof Panel Systems by Uniform Static Air Pressure Difference
FOAM CORE CHARACTERISTICS	ASTM C273	Shear Properties of Sandwich Core Metals
	ASTM D1621	Compressive Properties of Rigid Cellular Plastics
	ASTM D1622	Apparent Density of Rigid Cellular Plastics
	ASTM D1623	Tensile and Tensile Adhesion Properties of Rigid Cellular Plastics
	ASTM D6226	Open Cell Content of Rigid Cellular Plastics
FIRE RESISTANCE	ASTM E84	Surface Burning Characteristics of Building Materials
	FM 4880	Factory Mutual Approval Standard for Class 1 Fire Rating of Insulated Wall or Wall and Roof/Ceiling Panels, Interior Finish Materials or Coatings and Exterior Wall Systems
IMPACT RESISTANCE	FM 4771	Factory Mutual Approval Standard for Class 1 Panel Roofs
ENGINEERING PROPERTIES	ASTM E1592	Structural Performance of Sheet Metal Roof and Siding Systems by Uniform Static Air Pressure Difference
	ASTM E72	Strength Tests of Panels for Building Construction
	FM 4471	Factory Mutual Approval Standard for Class 1 Panel Roofs
BOND STRENGTH	Fatigue Endurance	2,000,000 Alternating Cycles of L/180 Deflection
	Freeze/Heat Cycle	Twenty-One (21) Eight-hour Temperature Cycles (-20° F to 180° F)
	Humidity Endurance	1,200 Hours of 93% Humidity at a Temperature of 158° F
	Autoclave	Exposure to 218° F and a Pressure of 2-psig for 2½ hours

INSULATED BARRIER BACK-UP SYSTEM



FACTORY FORMED OPTIONS



To learn more about the Isoleren Insulated Barrier Back-Up Wall System or Factory Formed Options contact your local product representative or visit www.atas.com

ISOLEREN INSULATED METAL PANELS - FOAM CORE | COLOR CHART

STANDARD SILICONIZED POLYESTER | ROOF & WALL COLORS

IN STOCK, STANDARD GLOSS



REGAL WHITE II
SR: 0.61 E: 0.88 SRI: 73



LIGHT STONE
SR: 0.50 E: 0.86 SRI: 57



GRAY STONE
SR: 0.41 E: 0.86 SRI: 45

STANDARD POLYESTER

INTERIOR ONLY



REGAL WHITE I



Scan to view Foam Core Color Chart

STANDARD 70% PVDF | ROOF & WALL COLORS

IN STOCK, STANDARD GLOSS FOR ROOF APPLICATIONS, LOW GLOSS FOR WALL APPLICATIONS)



REGAL WHITE III
LOW GLOSS: SR: 0.66 E: 0.87 SRI: 80
STD. GLOSS: SR: 0.68 E: 0.86 SRI: 82



ALMOND
LOW GLOSS: SR: 0.62 E: 0.87 SRI: 74
STD. GLOSS: SR: 0.60 E: 0.84 SRI: 70



SANDSTONE
LOW GLOSS: SR: 0.59 E: 0.87 SRI: 70
STD. GLOSS: SR: 0.54 E: 0.86 SRI: 63



ASH GRAY
LOW GLOSS: SR: 0.48 E: 0.87 SRI: 55
STD. GLOSS: SR: 0.39 E: 0.84 SRI: 41



PATINA GREEN
LOW GLOSS: SR: 0.38 E: 0.87 SRI: 41
STD. GLOSS: SR: 0.46 E: 0.85 SRI: 51

STANDARD 70% PVDF | WALL COLORS

IN STOCK, LOW GLOSS



SURREY BEIGE
SR: 0.48 E: 0.87 SRI: 55

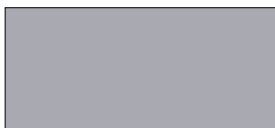


ROMAN BLUE
SR: 0.26 E: 0.87 SRI: 25

Colors are as close to the actual colors as modern printing allows. Exact metal color chips available upon request (this is a requirement for all premium colors), and should be used for final color selection.

PREMIUM METALLICS

SPECIAL COLORS, NOT IN STOCK, ADDITIONAL COSTS WILL APPLY



TEXAS SILVER
SR: 0.58 E: 0.78 SRI: 66



LEADCOAT
SR: 0.37 E: 0.82 SRI: 38



WEATHERED GALVALUME®
SR: 0.30 E: 0.79 SRI: 27



CHAMPAGNE
SR: 0.38 E: 0.80 SRI: 38



COPPER PENNY
SR: 0.49 E: 0.85 SRI: 55

*These colors are available for Isoleren Insulated Metal Foam Core Panels only. To view colors specific to Isoleren Fire-Rated Mineral Wool Core Panels visit www.atas.com/firecorecolors.

ATAS International, Inc.
Allentown, PA | Mesa, AZ | University Park, IL
www.atas.com | 800.468.1441

Isoleren® is a registered trademark of ATAS International, Inc. ATAS' professional staff is able to assist in the design or provide shop drawings for your project. Final choice of materials and installation is the responsibility of the owner, architect and/or the owner's agent. ATAS International, Inc. cannot be held responsible for the ultimate selection or the installation of those materials. Due to slight stress in metal materials and substrates to which metal panels are applied, installed panels may exhibit a perceived waviness in the flat areas of the panel. Commonly the period and amplitude of the waviness is dependent upon the continuous flat width of the panel. This condition is beyond the control of ATAS and consequently this perceived waviness or "oil canning" of the product is not a valid reason for rejection of materials. (Refer to ASTM E 1514, ASTM E 1637 and Metal Construction Association Technical Bulletin 1060 for further clarification). ATAS reserves the right to modify, eliminate and/or change its products without prior notification. ATAS cannot be held responsible for errors in line drawings and typesetting. Inquire for availability. Colors are as close to the actual colors as modern printing allows. Exact color chips on request; this is a requirement for all premium colors. If you have requirements or preference for colors or finishes other than shown, contact ATAS. Color availability varies by material, gauge and profile. ATAS is not responsible for colors selected from this chart. Contact ATAS for more information. © 2026 ATAS International, Inc. LRD0226 LAT118

