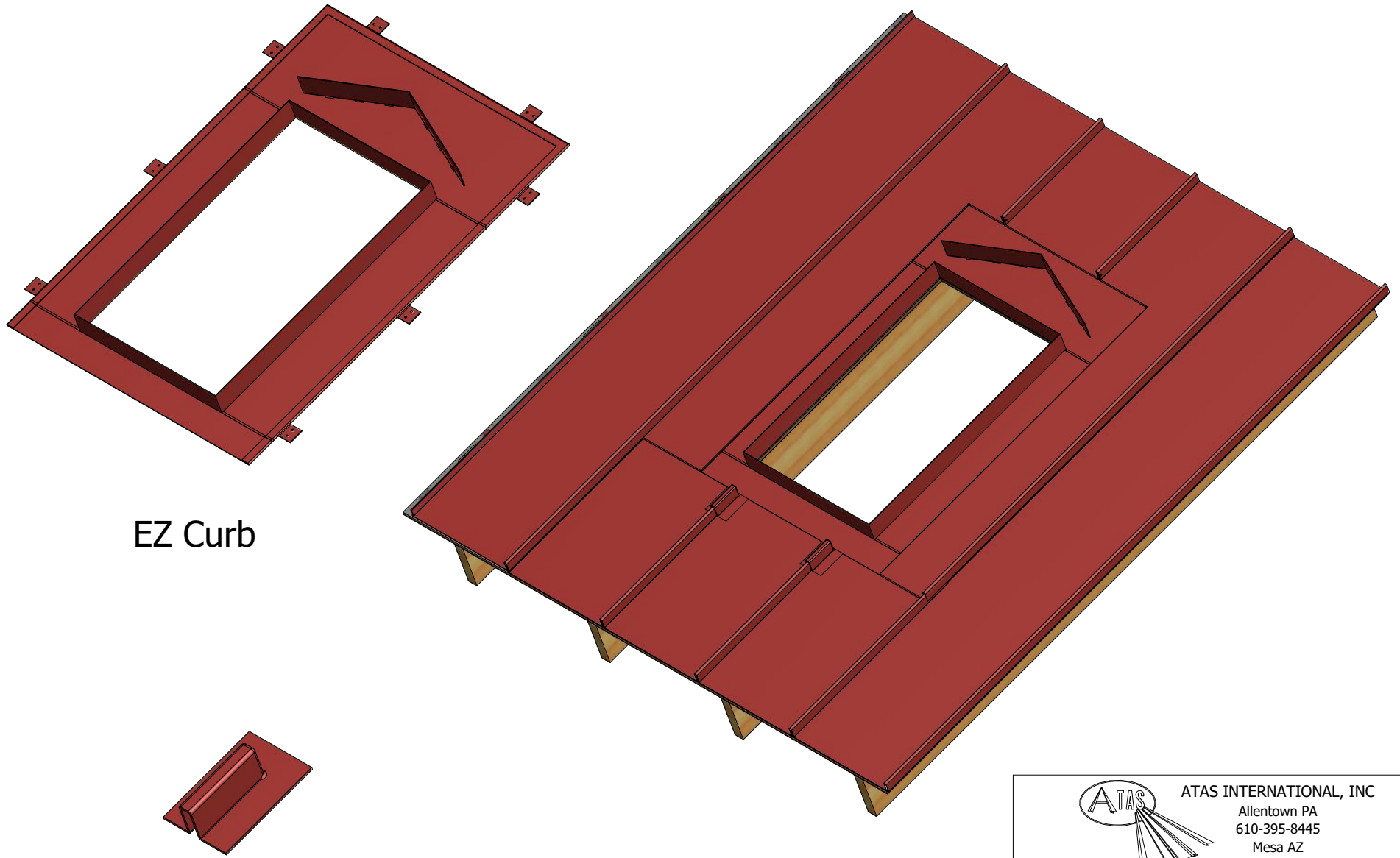
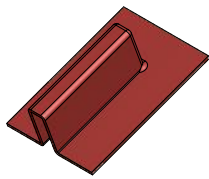


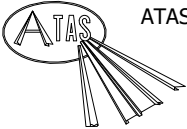
# Dutch Seam EZ Curb Installation Detail



EZ Curb

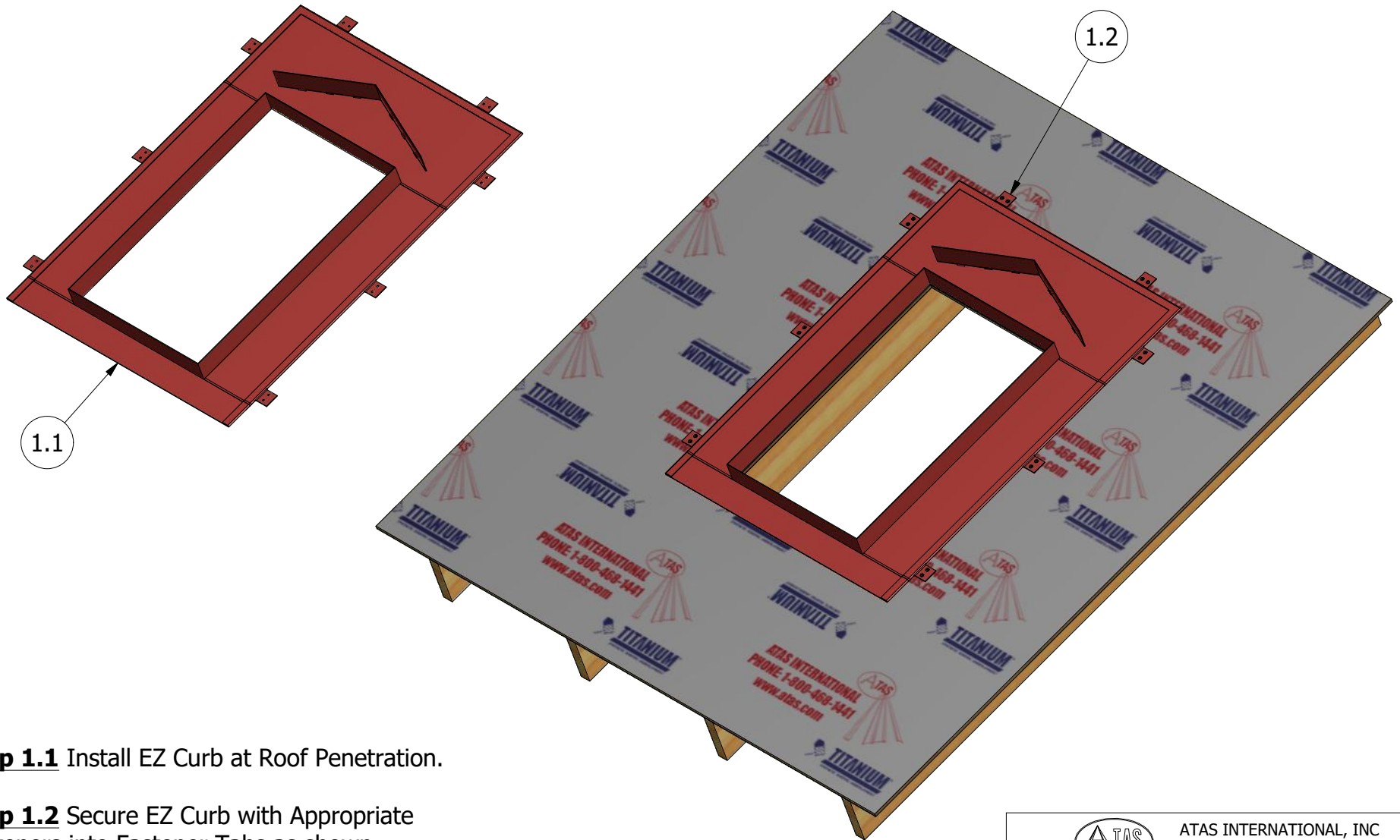


Rib Cap

	<b>ATAS INTERNATIONAL, INC</b> Allentown PA 610-395-8445 Mesa AZ 480-558-7210	
	TITLE <b>Dutch Seam EZ Curb Installation Detail</b>	
	DR KRK	DATE 3/20/2024
	APP	DATE
MATERIAL		SH. SIZE A
		SCALE X:X

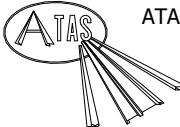
REV. NO.	DATE	DESCRIPTION OF REVISION	BY	APP

# Step 1



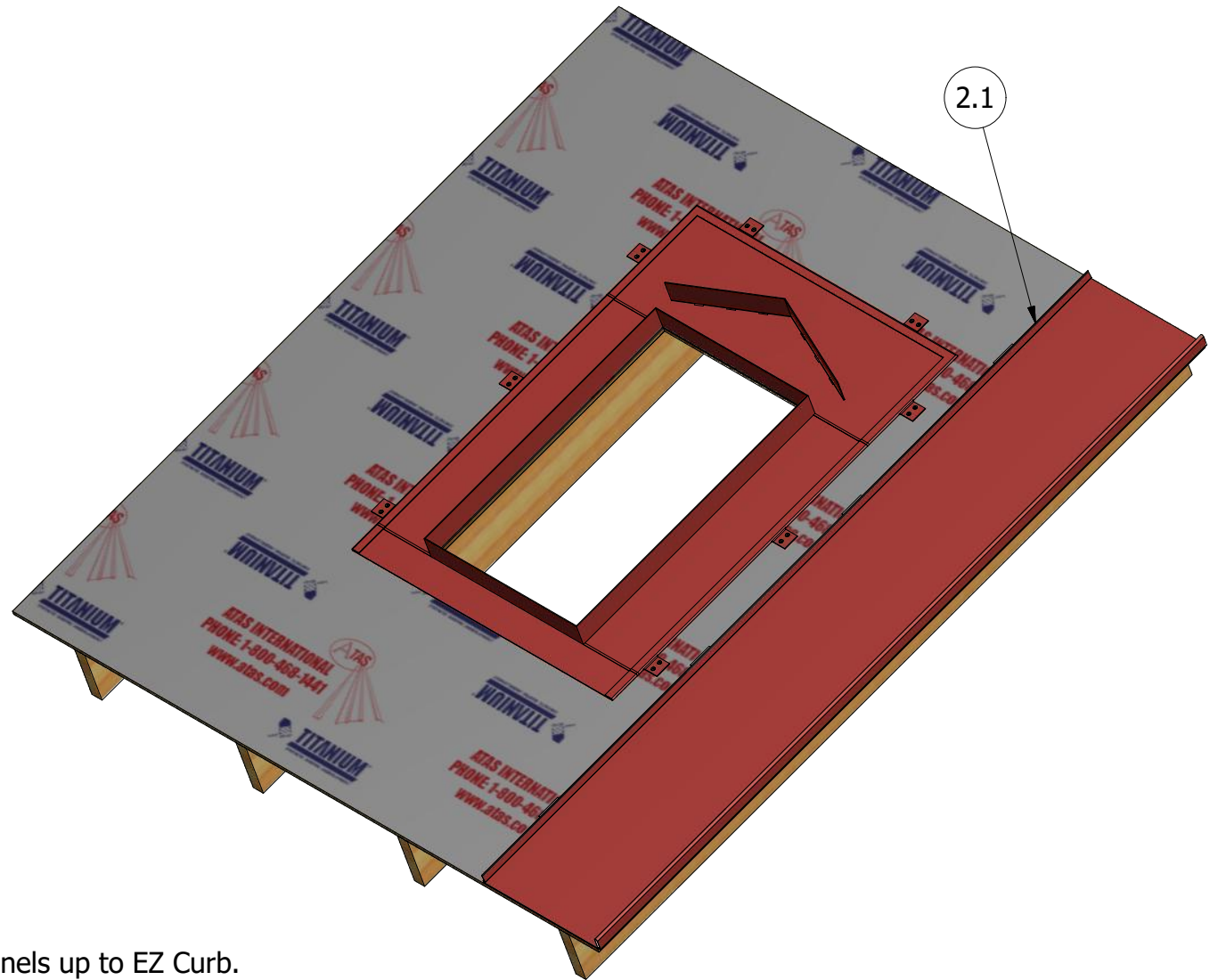
**Step 1.1** Install EZ Curb at Roof Penetration.

**Step 1.2** Secure EZ Curb with Appropriate Fasteners into Fastener Tabs as shown.

	<b>ATAS INTERNATIONAL, INC</b> Allentown PA 610-395-8445 Mesa AZ 480-558-7210	
	TITLE <b>Dutch Seam EZ Curb Installation Detail</b>	

REV. NO.	DATE	DESCRIPTION OF REVISION	BY	APP	DWG. NO.	DR KRK	DATE 3/20/2024
					MATERIAL	APP	DATE
						SH. SIZE <b>A</b>	SCALE <b>X:X</b>

# Step 2

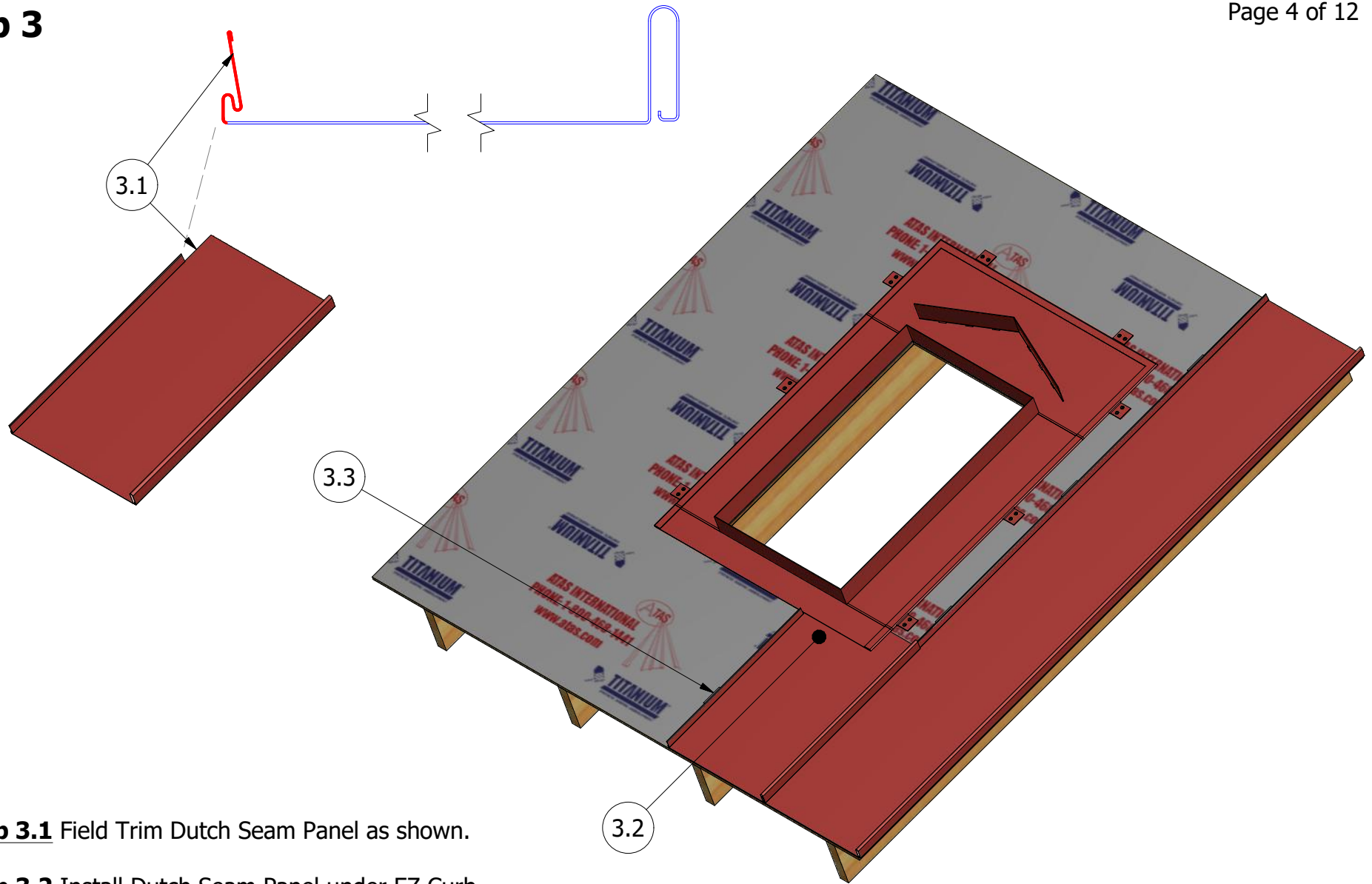


**Step 2.1** Install Full Dutch Seam Panels up to EZ Curb.

	<b>ATAS INTERNATIONAL, INC</b> Allentown PA 610-395-8445 Mesa AZ 480-558-7210	
	TITLE <b>Dutch Seam EZ Curb Installation Detail</b>	

REV. NO.	DATE	DESCRIPTION OF REVISION	BY	APP	DWG. NO.	DR	DATE
						KRK	3/20/2024
					MATERIAL	APP	DATE
						SH. SIZE	SCALE
						A	X:X

# Step 3



**Step 3.1** Field Trim Dutch Seam Panel as shown.

**Step 3.2** Install Dutch Seam Panel under EZ Curb.

**Step 3.3** Secure Dutch Seam Panel with Panel Clip and Fastener.

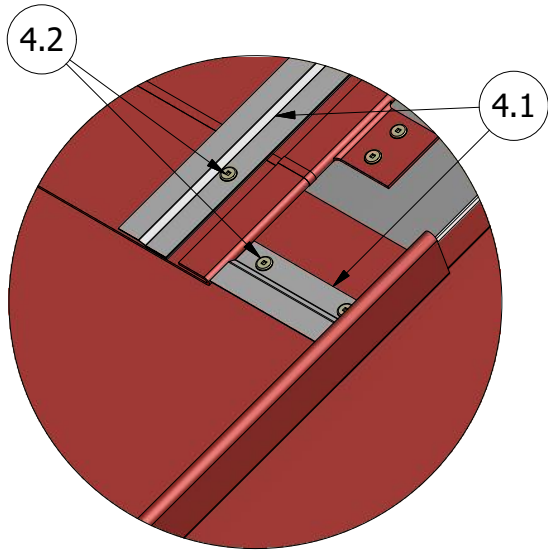


**ATAS INTERNATIONAL, INC**  
 Allentown PA  
 610-395-8445  
 Mesa AZ  
 480-558-7210

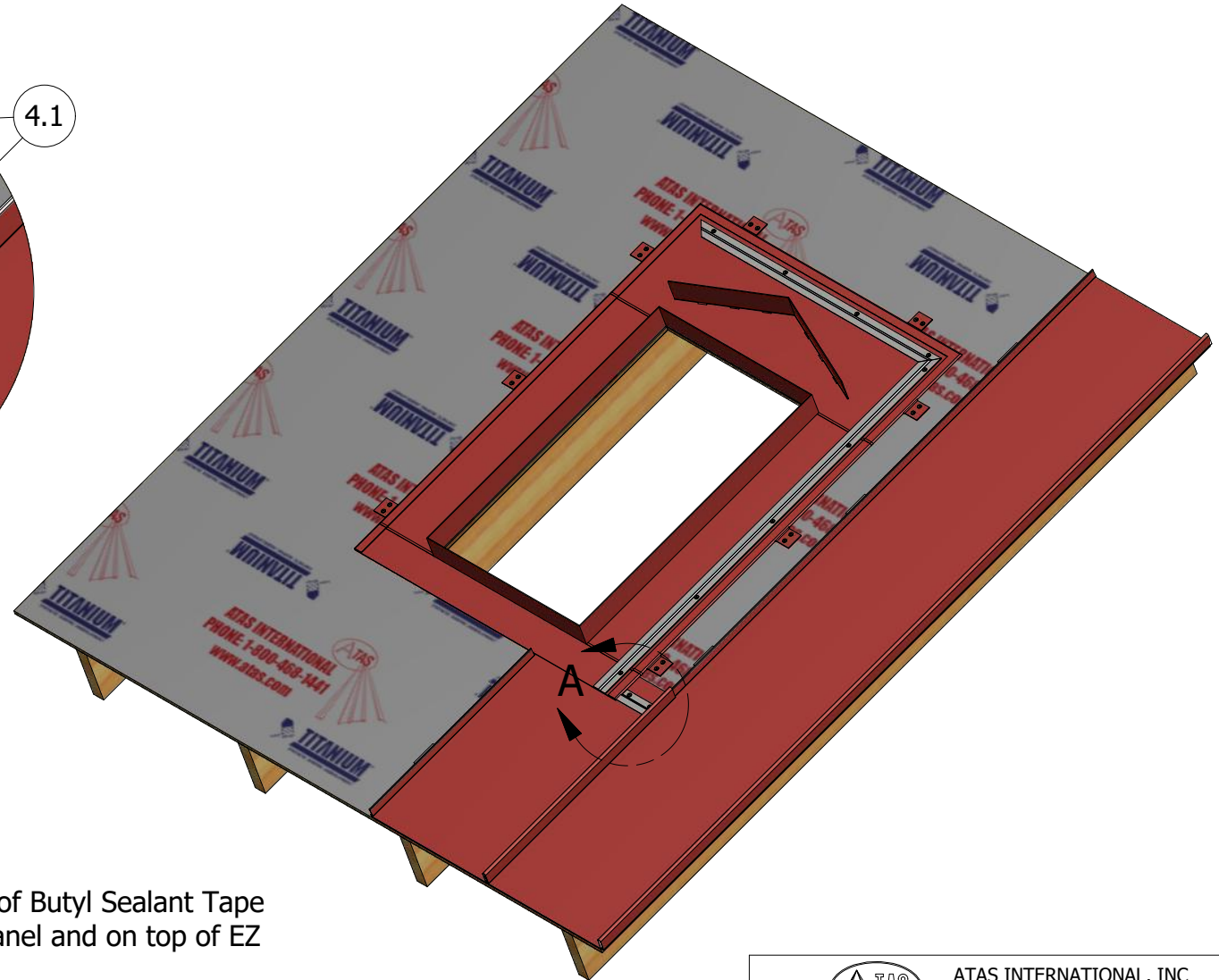
TITLE		Dutch Seam EZ Curb Installation Detail	
DWG. NO.	DR	DATE	
	KRK	3/20/2024	
MATERIAL	APP	DATE	
	SH. SIZE	A	SCALE
			X:X

REV. NO.	DATE	DESCRIPTION OF REVISION	BY	APP

# Step 4

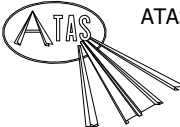


DETAIL A



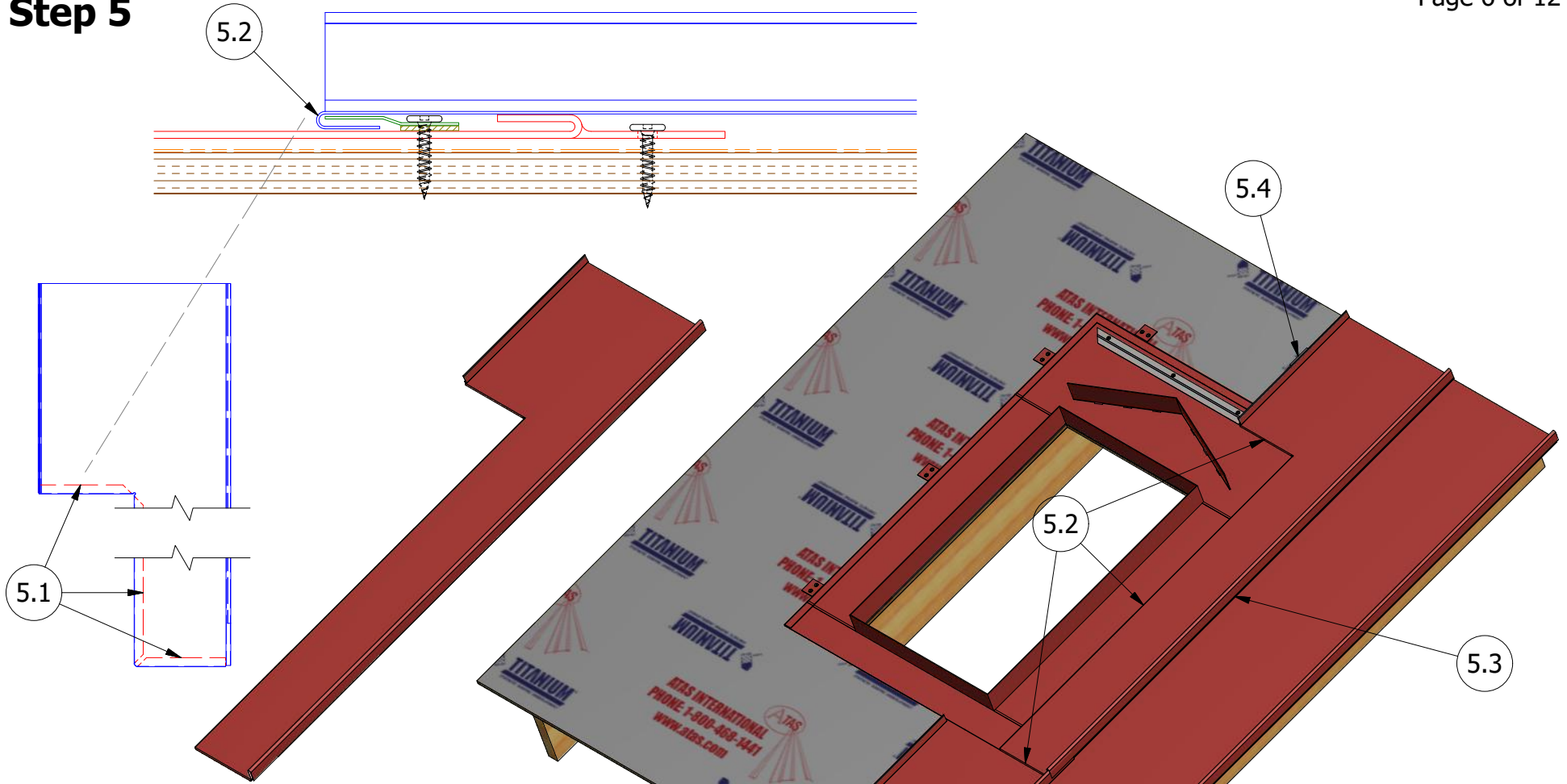
**Step 4.1** Install Joggle Cleat on top of Butyl Sealant Tape between EZ Curb and Dutch Seam Panel and on top of EZ Curb.

**Step 4.2** Secure Joggle Cleat with Appropriate Fasteners.

	<b>ATAS INTERNATIONAL, INC</b> Allentown PA 610-395-8445 Mesa AZ 480-558-7210	
	TITLE	
	Dutch Seam EZ Curb Installation Detail	
	DWG. NO.	DR
	KRK	3/20/2024
	APP	DATE
MATERIAL	SH. SIZE	SCALE
	A	X:X

REV. NO.	DATE	DESCRIPTION OF REVISION	BY	APP

# Step 5



**Step 5.1** Field Trim and Hem Dutch Seam Panel as shown.

**Step 5.2** Install Dutch Seam Panel Hems on Joggle Cleats.

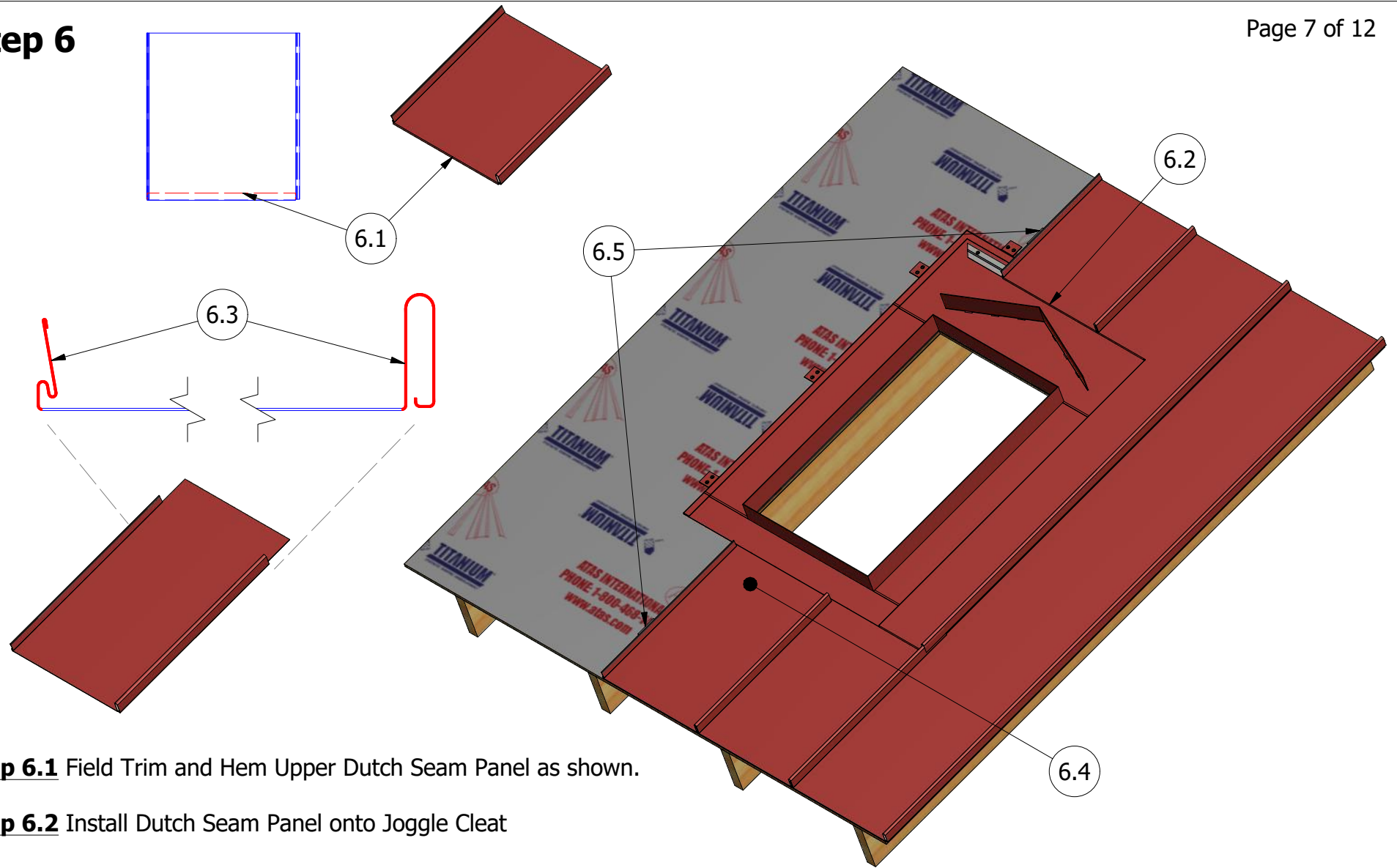
**Step 5.3** Snap Dutch Seam Panel onto adjacent Dutch Seam Panel.

**Step 5.4** Secure Dutch Seam Panel with Clips and Fasteners.

		<b>ATAS INTERNATIONAL, INC</b> Allentown PA 610-395-8445 Mesa AZ 480-558-7210	
		TITLE <b>Dutch Seam EZ Curb Installation Detail</b>	
DWG. NO.		DR KRK	DATE 3/20/2024
MATERIAL		APP	DATE
REV. NO.	DATE	DESCRIPTION OF REVISION	BY APP
SH. SIZE <b>A</b>		SCALE <b>X:X</b>	

REV. NO.	DATE	DESCRIPTION OF REVISION	BY	APP

# Step 6



**Step 6.1** Field Trim and Hem Upper Dutch Seam Panel as shown.

**Step 6.2** Install Dutch Seam Panel onto Joggle Cleat

**Step 6.3** Field Trim Lower Dutch Seam Panel as shown.

**Step 6.4** Install Dutch Seam Panel under EZ Curb as shown.

**Step 6.5** Secure both Dutch Seam Panels with Clips and Fasteners.

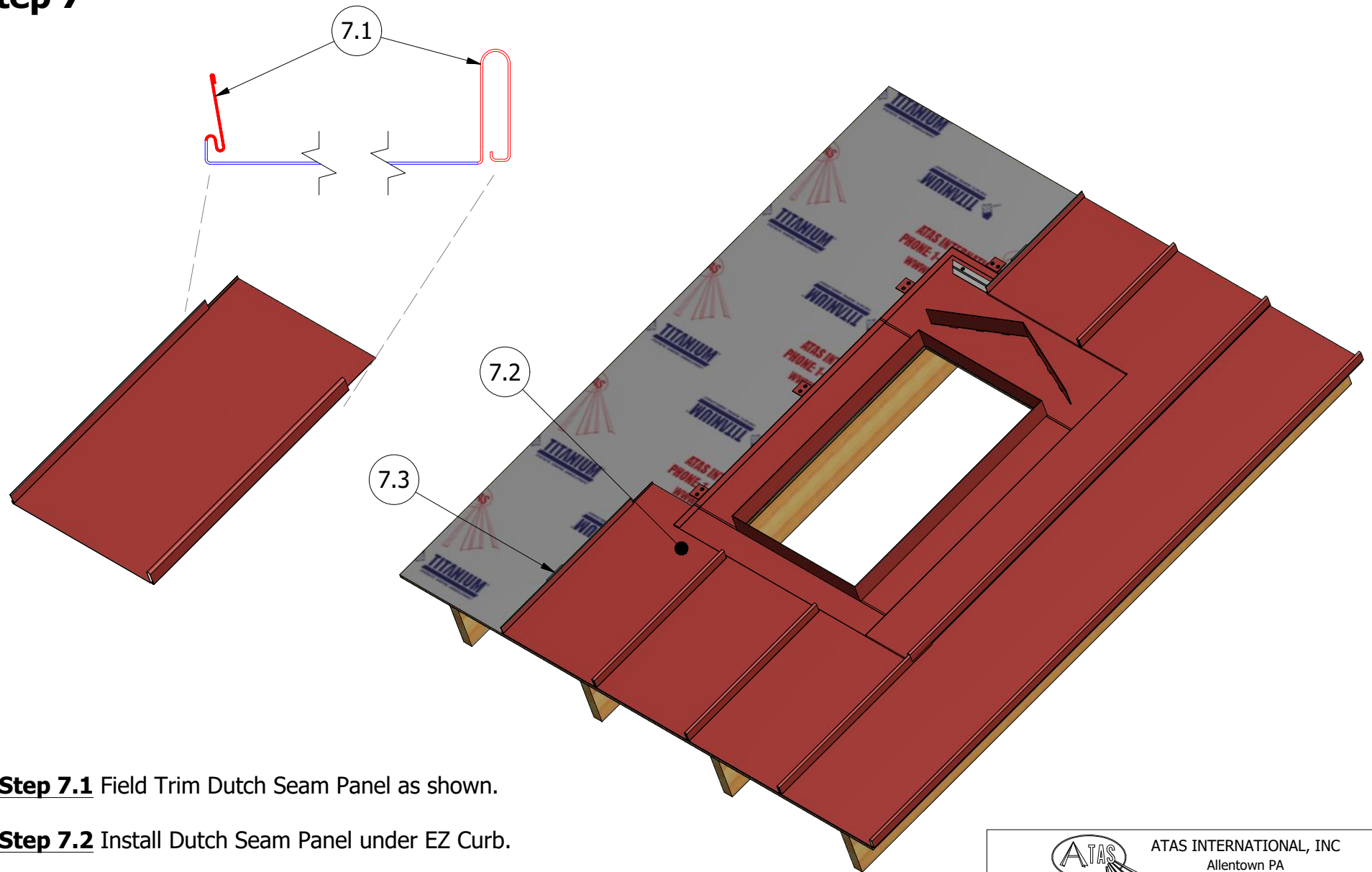


**ATAS INTERNATIONAL, INC**  
 Allentown PA  
 610-395-8445  
 Mesa AZ  
 480-558-7210

TITLE <b>Dutch Seam EZ Curb Installation Detail</b>			
DWG. NO.	DR KRK	DATE 3/20/2024	APP
MATERIAL	SH. SIZE A	SCALE X:X	DATE

REV. NO.	DATE	DESCRIPTION OF REVISION	BY	APP

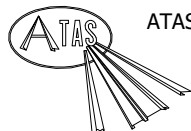
# Step 7



**Step 7.1** Field Trim Dutch Seam Panel as shown.

**Step 7.2** Install Dutch Seam Panel under EZ Curb.

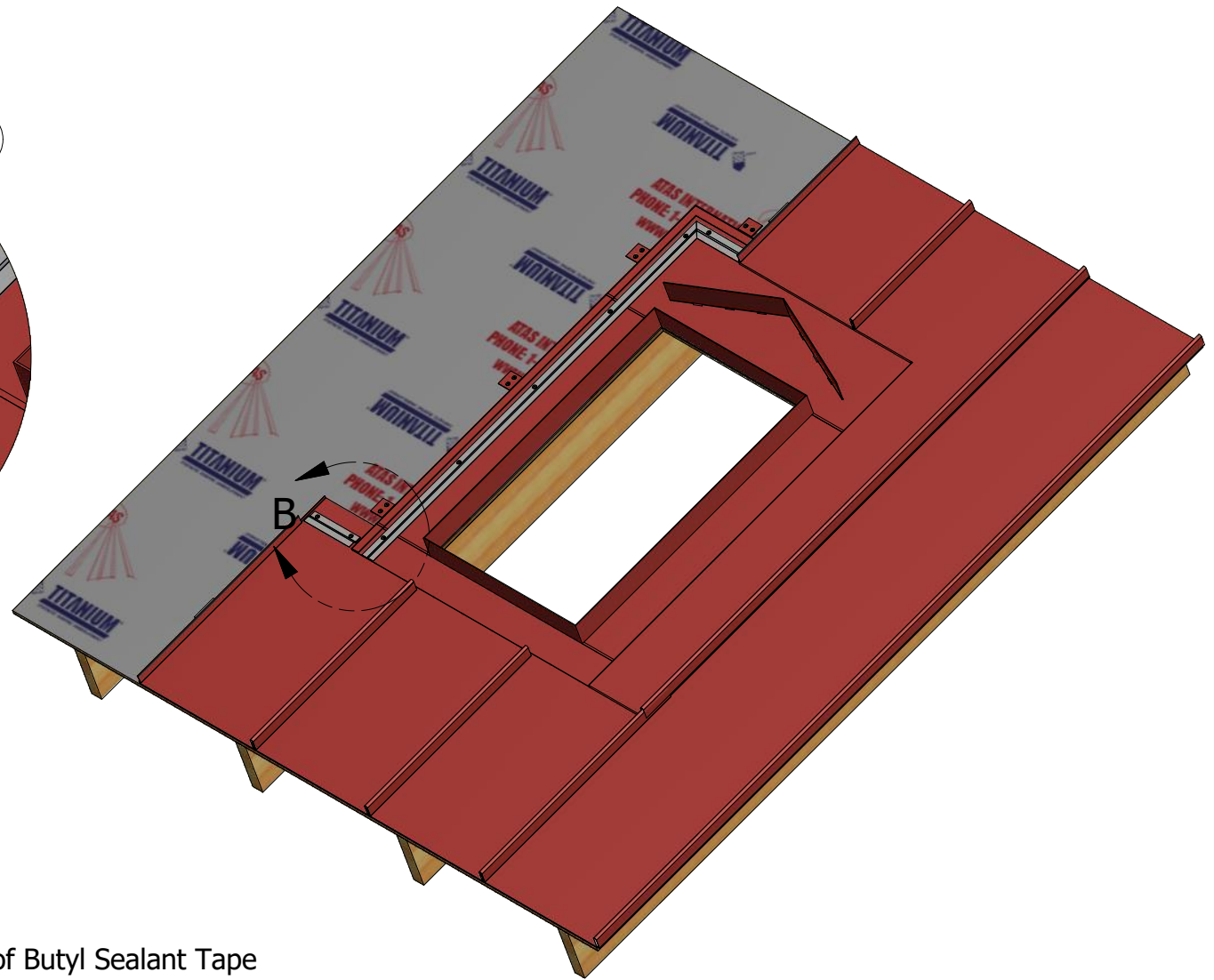
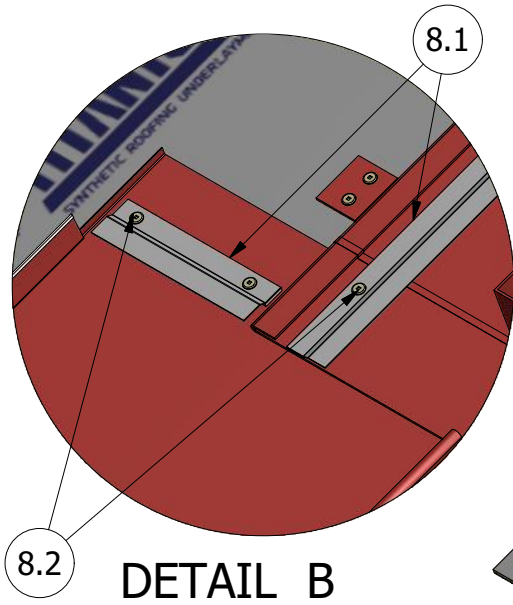
**Step 7.3** Secure Dutch Seam Panel with Panel Clip and Fastener.

	<b>ATAS INTERNATIONAL, INC</b> Allentown PA 610-395-8445 Mesa AZ 480-558-7210	
	TITLE	
	Dutch Seam EZ Curb Installation Detail	
	DWG. NO.	DR
	KRK	3/20/2024
	APP	DATE
MATERIAL	SH. SIZE	SCALE
	A	X:X

REV. NO.	DATE	DESCRIPTION OF REVISION	BY	APP



# Step 8



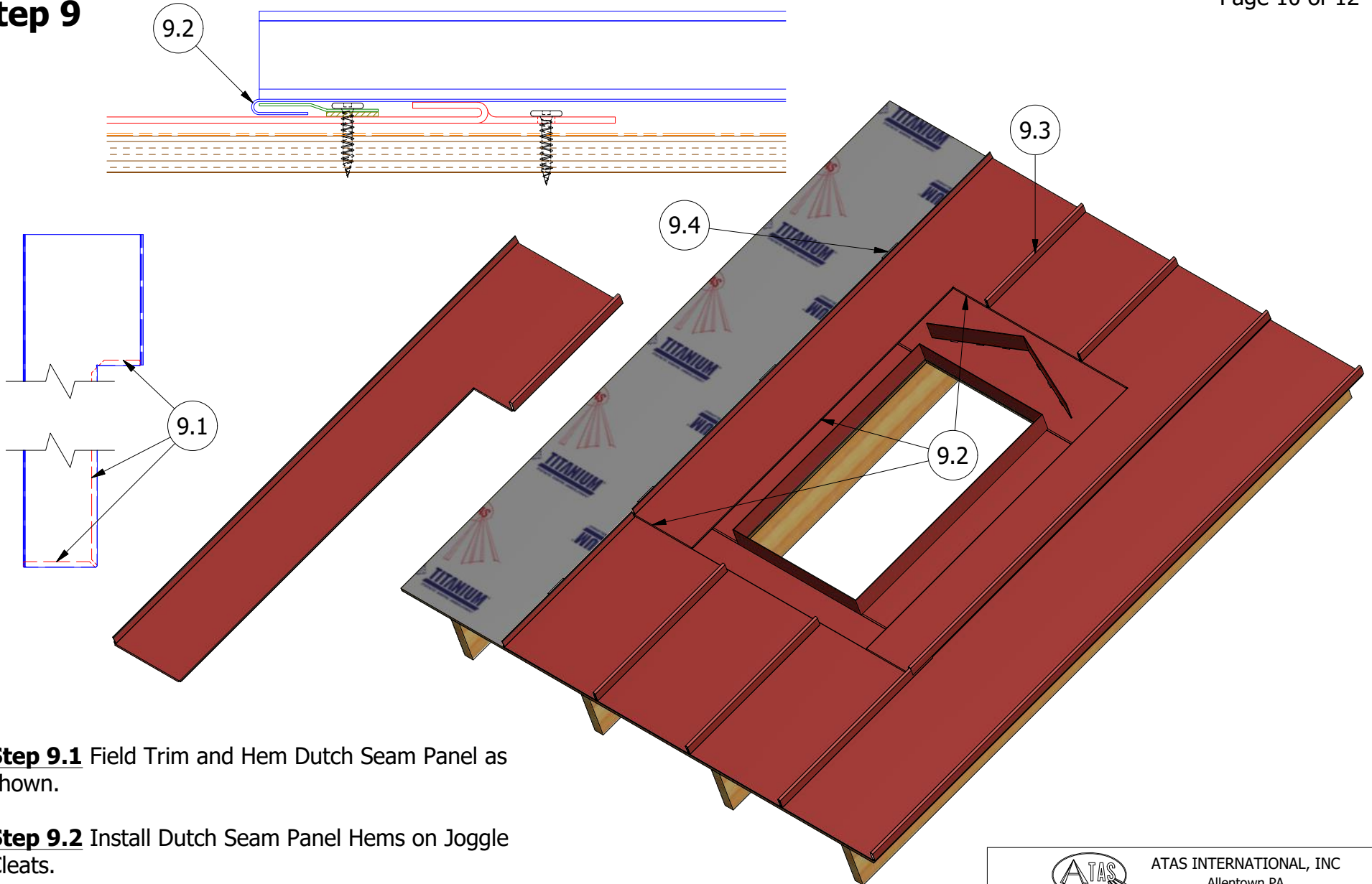
**Step 8.1** Install Joggle Cleat on top of Butyl Sealant Tape between EZ Curb and Dutch Seam Panel and on top of EZ Curb.

**Step 8.2** Secure Joggle Cleat with Appropriate Fasteners.

		ATAS INTERNATIONAL, INC Allentown PA 610-395-8445 Mesa AZ 480-558-7210	
		TITLE Dutch Seam EZ Curb Installation Detail	
DWG. NO.		DR KRK	DATE 3/20/2024
MATERIAL		APP	DATE
REV. NO.		SH. SIZE A	SCALE X:X

REV. NO.	DATE	DESCRIPTION OF REVISION	BY	APP

# Step 9

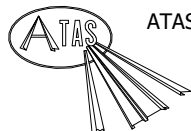


**Step 9.1** Field Trim and Hem Dutch Seam Panel as shown.

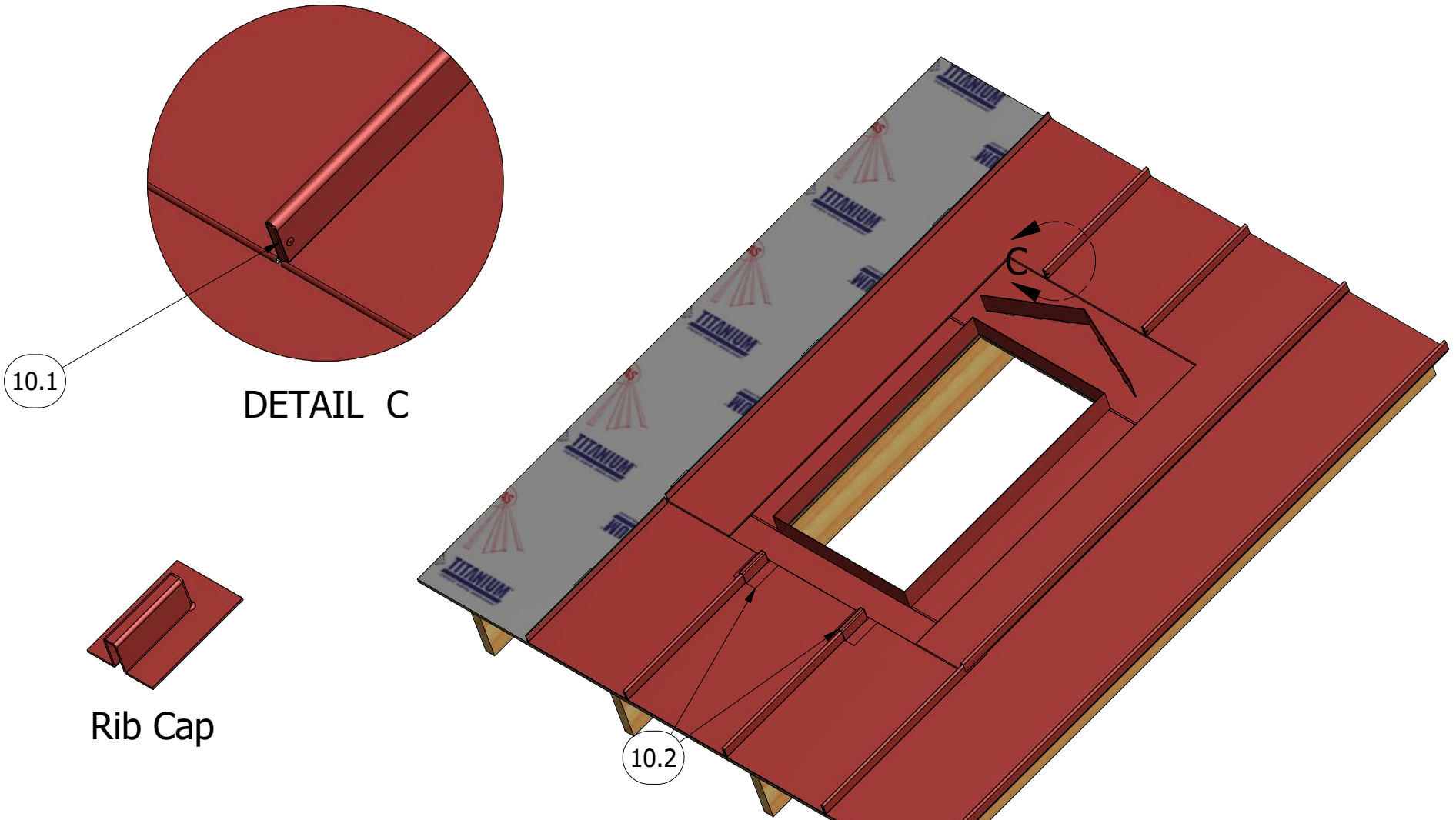
**Step 9.2** Install Dutch Seam Panel Hems on Joggle Cleats.

**Step 9.3** Snap Dutch Seam Panel onto adjacent Dutch Seam Panel.

**Step 9.4** Secure Dutch Seam Panel with Clips and Fasteners.

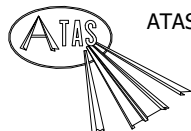
		<b>ATAS INTERNATIONAL, INC</b> Allentown PA 610-395-8445 Mesa AZ 480-558-7210	
		TITLE <b>Dutch Seam EZ Curb Installation Detail</b>	
DWG. NO.		DR KRK	DATE 3/20/2024
MATERIAL		APP	DATE
REV. NO.	DATE	DESCRIPTION OF REVISION	BY APP SH. SIZE <b>A</b> SCALE <b>X:X</b>

# Step 10



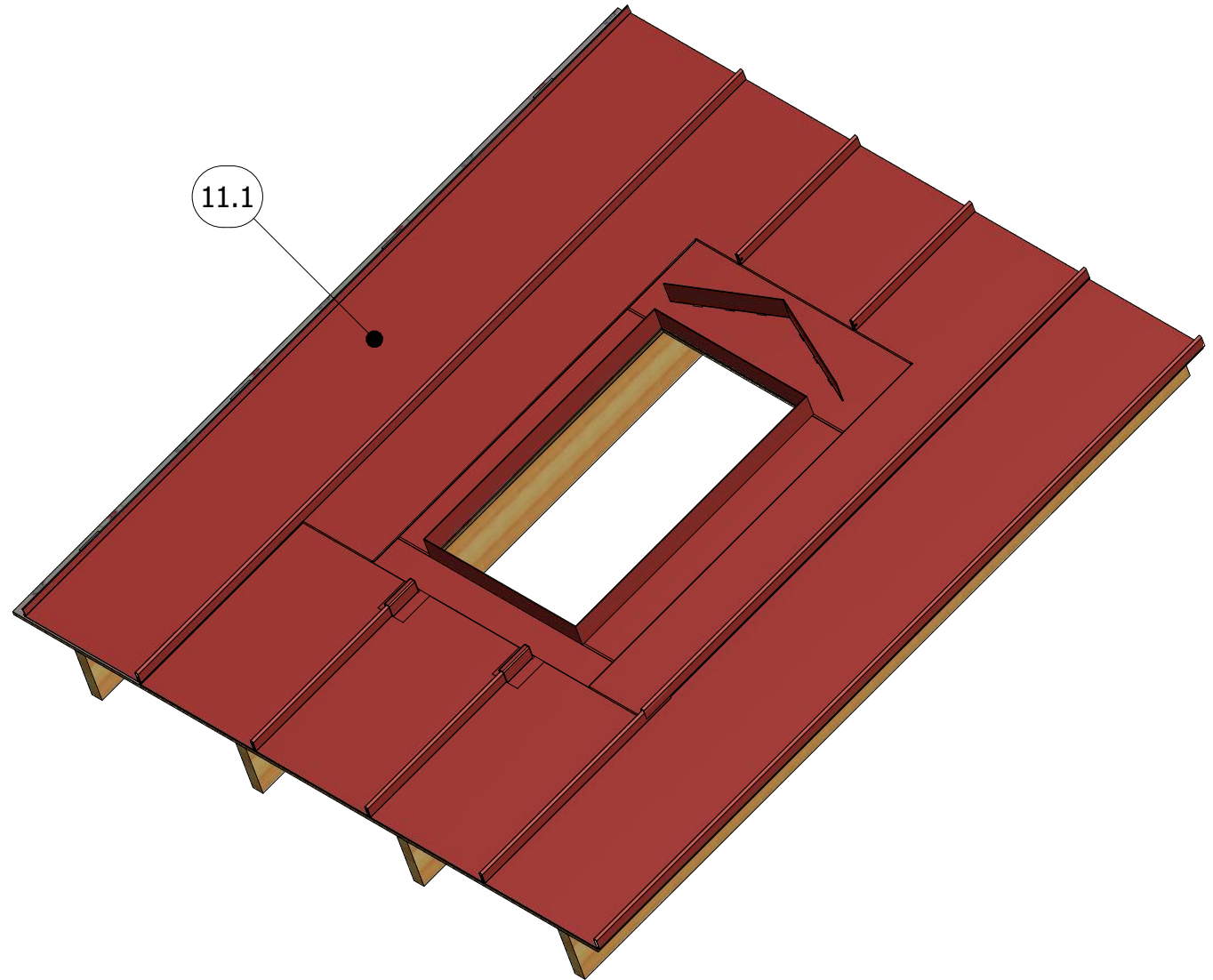
**Step 10.1** Install Seam Plugs and Secure with Stainless Steel Painted Pop Rivets.

**Step 10.2** Install Rib Caps on top of Panel Seams and under EZ Curb.

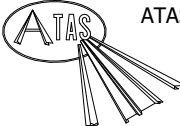
		ATAS INTERNATIONAL, INC Allentown PA 610-395-8445 Mesa AZ 480-558-7210	
		TITLE <b>Dutch Seam EZ Curb Installation Detail</b>	
DWG. NO.		DR KRK	DATE 3/20/2024
MATERIAL		APP	DATE
REV. NO.	DATE	DESCRIPTION OF REVISION	BY APP
SH. SIZE A		SCALE X:X	

REV. NO.	DATE	DESCRIPTION OF REVISION	BY	APP

# Step 11



**Step 11.1** Continue installing Dutch Seam Panels.

	<b>ATAS INTERNATIONAL, INC</b> Allentown PA 610-395-8445 Mesa AZ 480-558-7210	
	TITLE <b>Dutch Seam EZ Curb Installation Detail</b>	

REV. NO.	DATE	DESCRIPTION OF REVISION	BY	APP	DWG. NO.	DR KRK	DATE 3/20/2024
					MATERIAL	APP	DATE
						SH. SIZE A	SCALE X:X