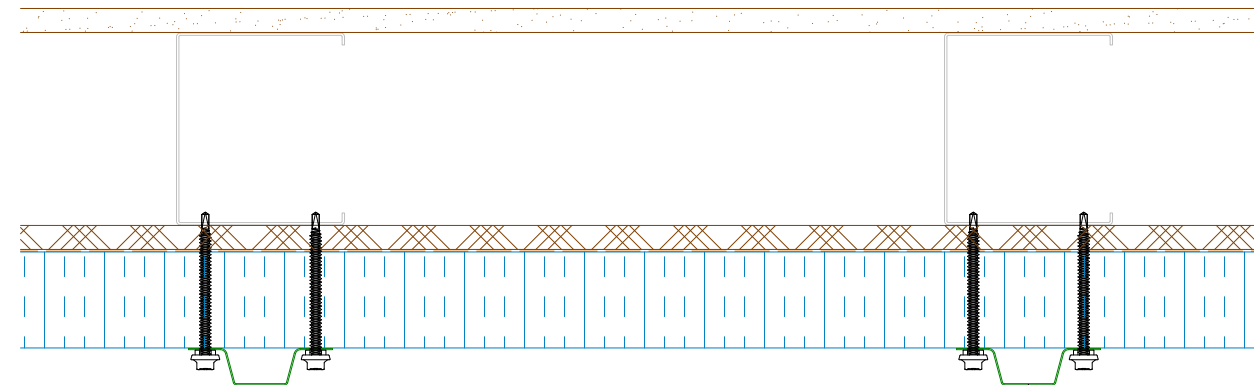
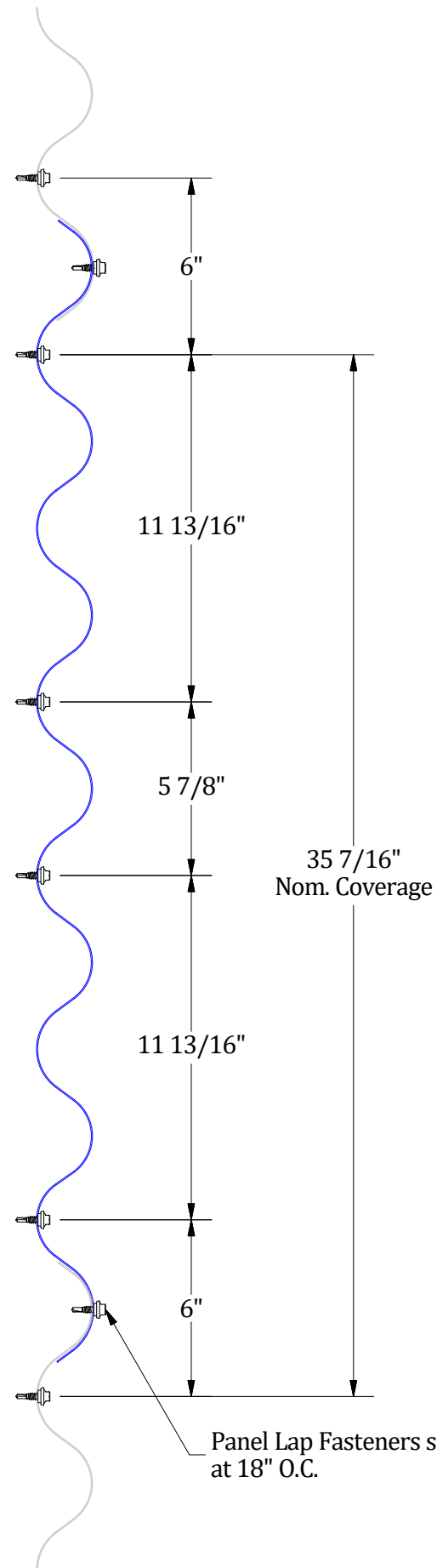
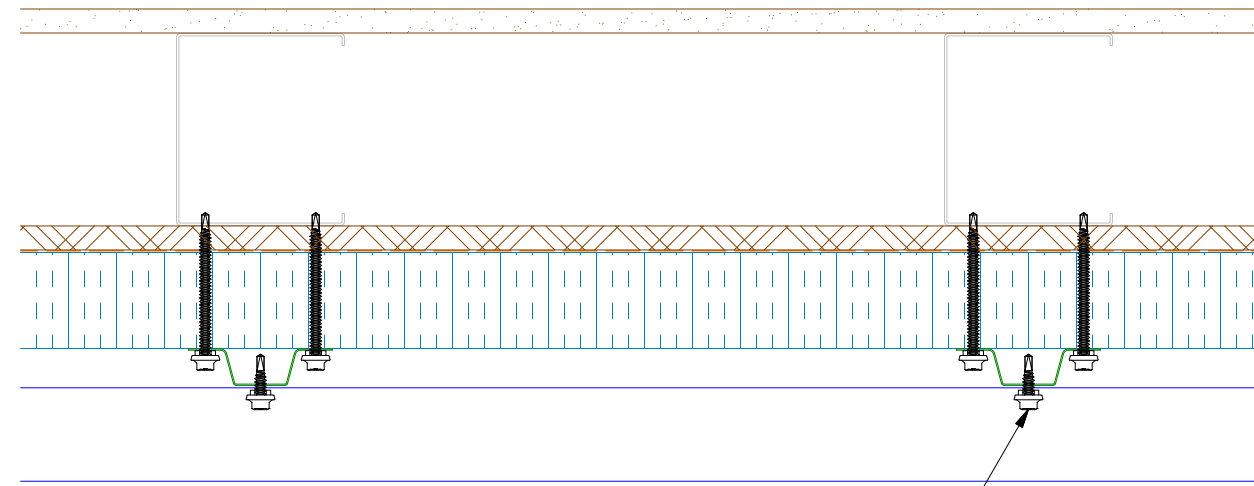




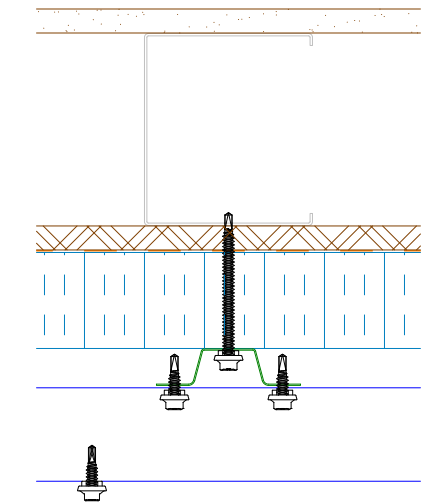
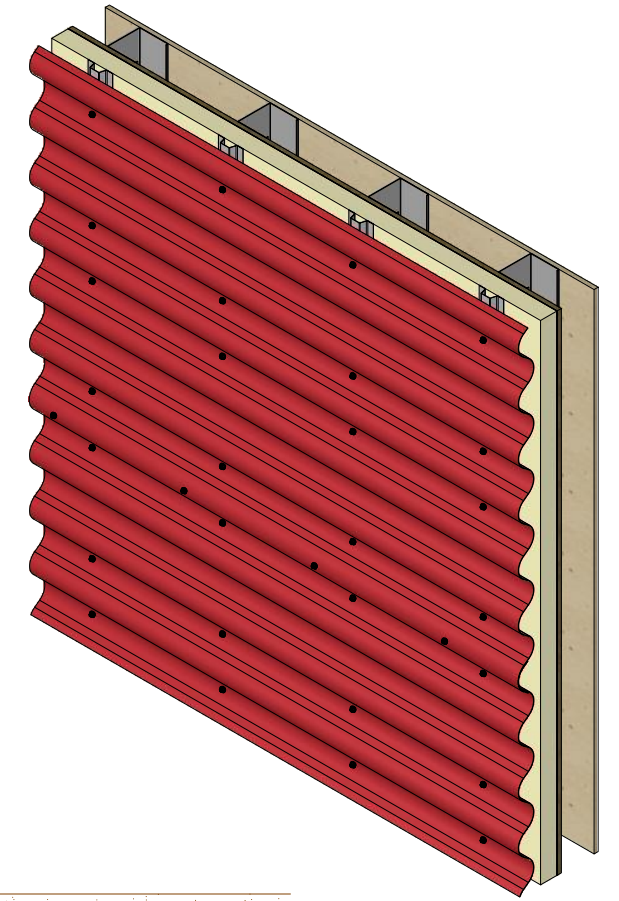
# Horizontal Panel



Attach Subgirts into Metal Wall Studs using Appropriate Fasteners



Attach Panel System to Subgirts using #14 x 7/8" Hex Washer Head Fasteners



Alternative Subgirt Orientation

## Notes:

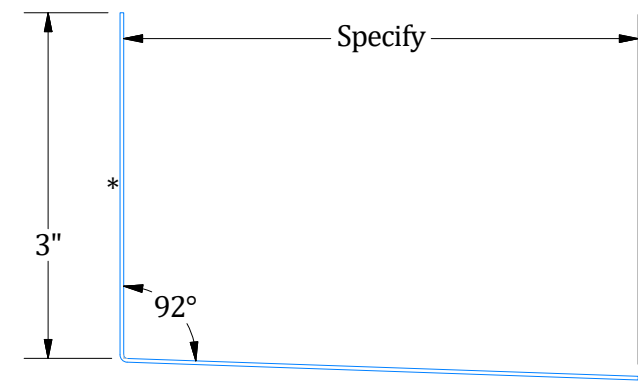
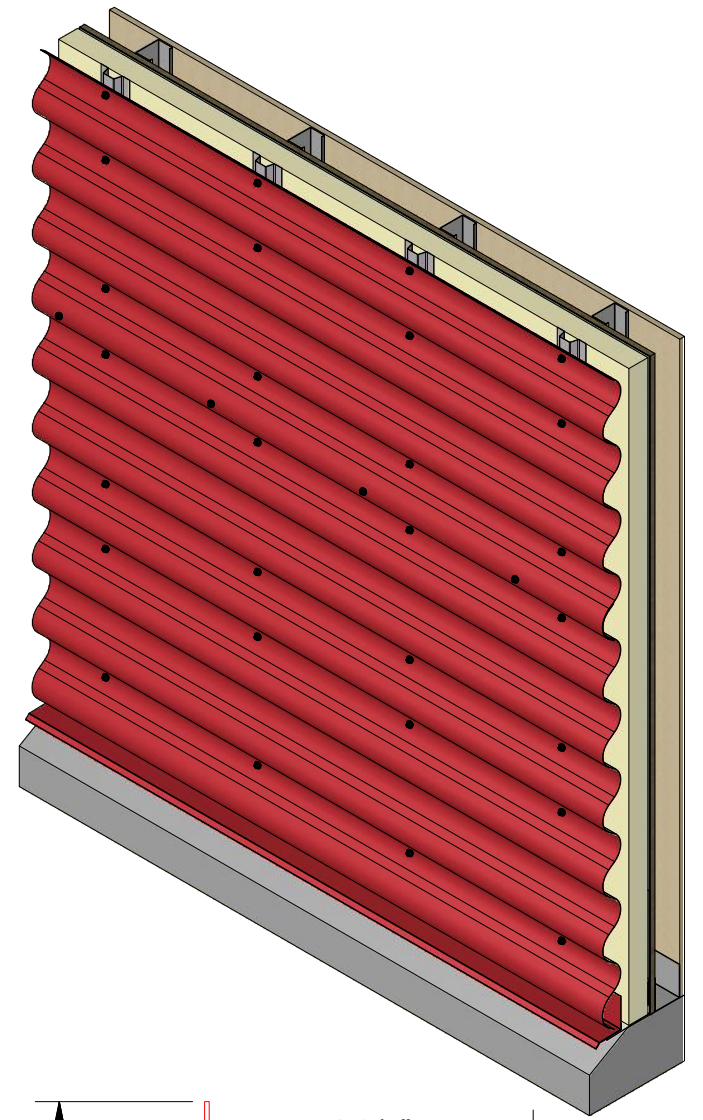
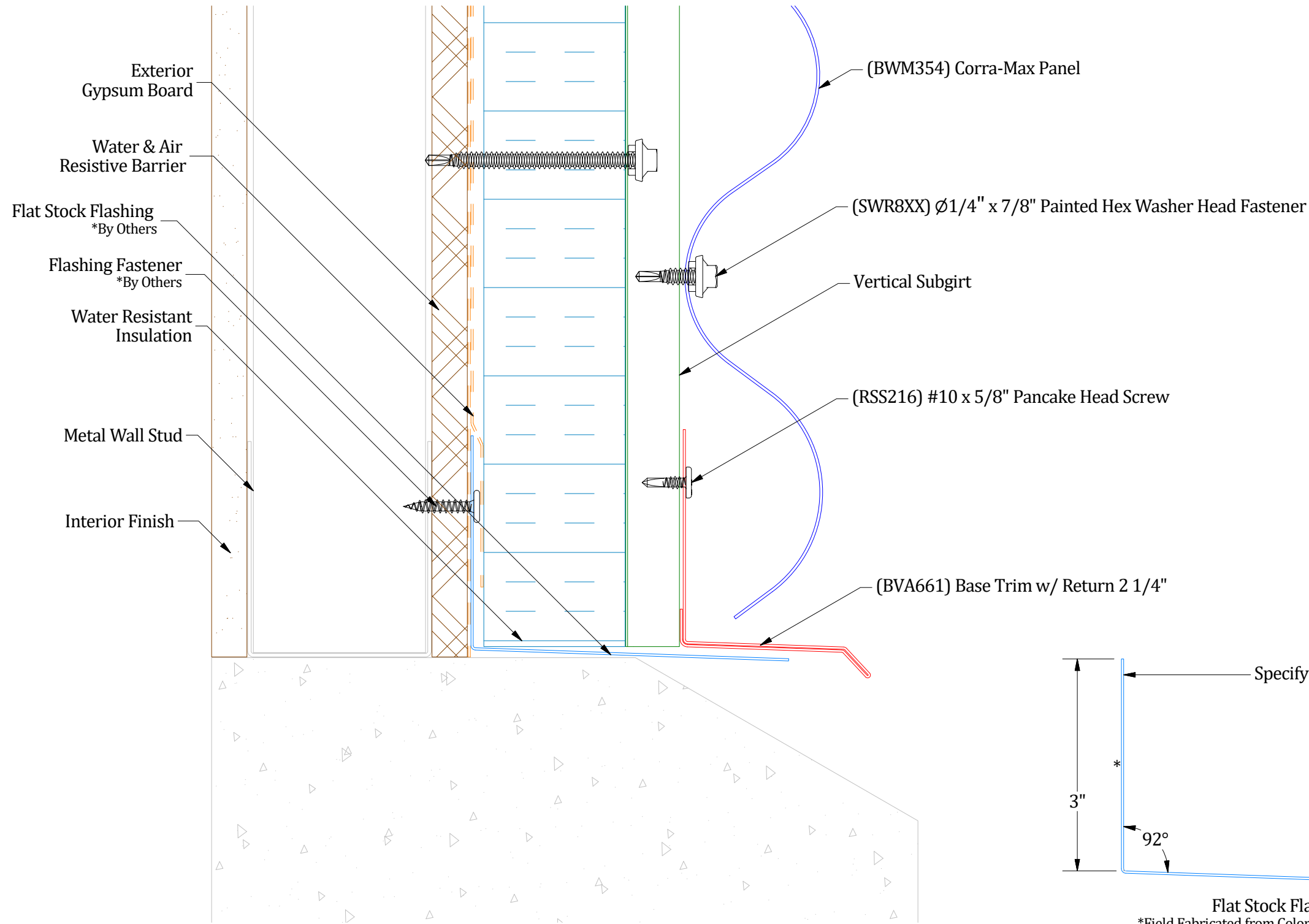
Panel Lap Fasteners spaced at 18" O.C.

**ATAS International, Inc.**  
Sustainable Solutions For A Better Future  
www.atas.com | info@atas.com  
800.468.1441

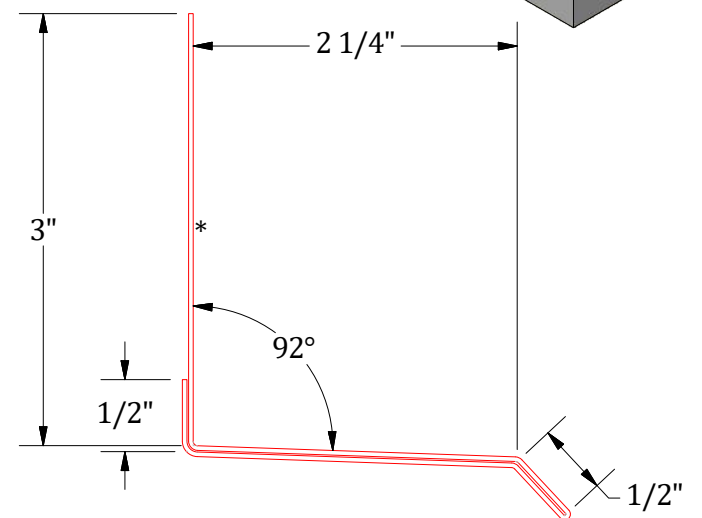
DWG TITLE: **Open Framing Installation Detail**

0	1/12/2026	Initial Release	D.S.	M.L.P.		
REV. NO.	DATE	DESCRIPTION OF REVISION	BY	APP	PANELS/PRODUCT:	Corra-Max
					DWG No:	
					DWG DATE:	1/12/2026
					APP BY:	D.S.
					APP DATE:	1/14/2026
					SHEET SIZE:	B
					SCALE:	X : X

# Horizontal Panel



**Flat Stock Flashing**  
\*Field Fabricated from Color Matched Flat Stock



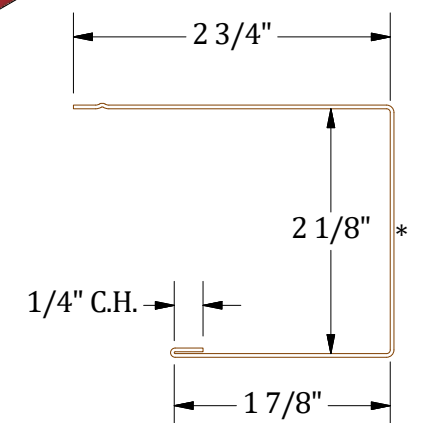
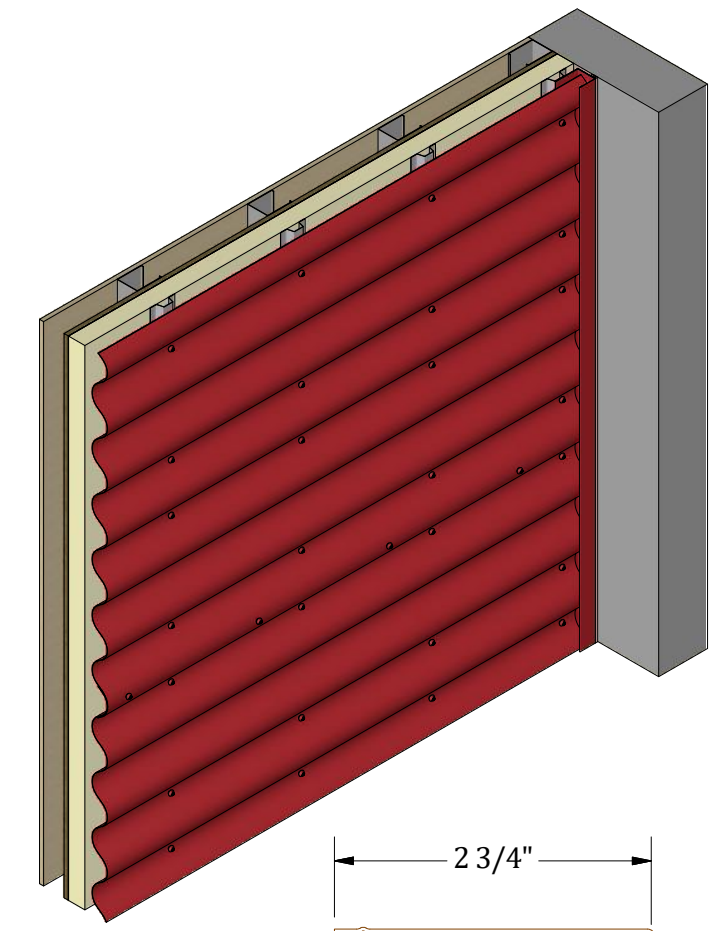
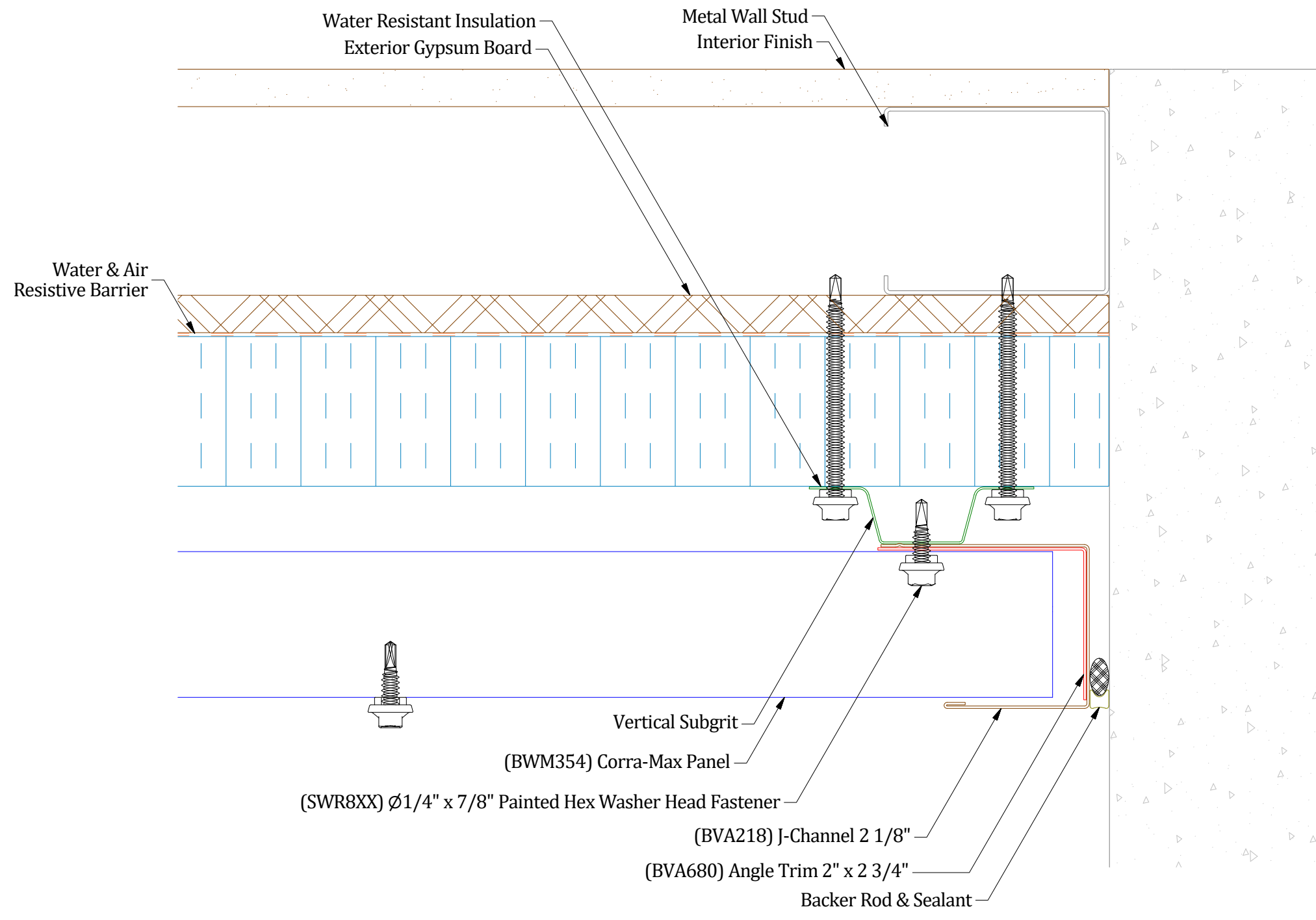
**(BVA661) Base Trim w/ Return**

**Notes:**  
1) \* denotes color side.

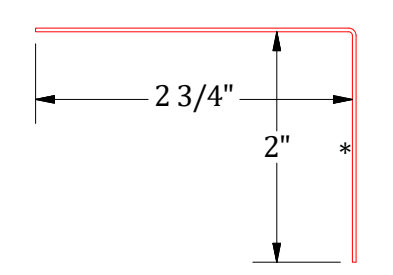
**ATAS** **ATAS International, Inc.**  
Sustainable Solutions For A Better Future  
www.atas.com | info@atas.com  
800.468.1441

REV. NO.		DATE	DESCRIPTION OF REVISION	BY	APP	DWG TITLE: <b>Open Framing Base Detail</b>	
0	1/12/2026	Initial Release		D.S.	M.L.P.	DWG No:	
						PANELS/PRODUCT:	<b>Corra-Max</b>
						DWG BY:	M.L.P.
						APP BY:	D.S.
						DWG DATE:	1/12/2026
						APP DATE:	1/14/2026
						SHEET SIZE:	B
						SCALE:	X : X

# Horizontal Panel



(BVA218) J-Channel



(BVA680) Angle Trim

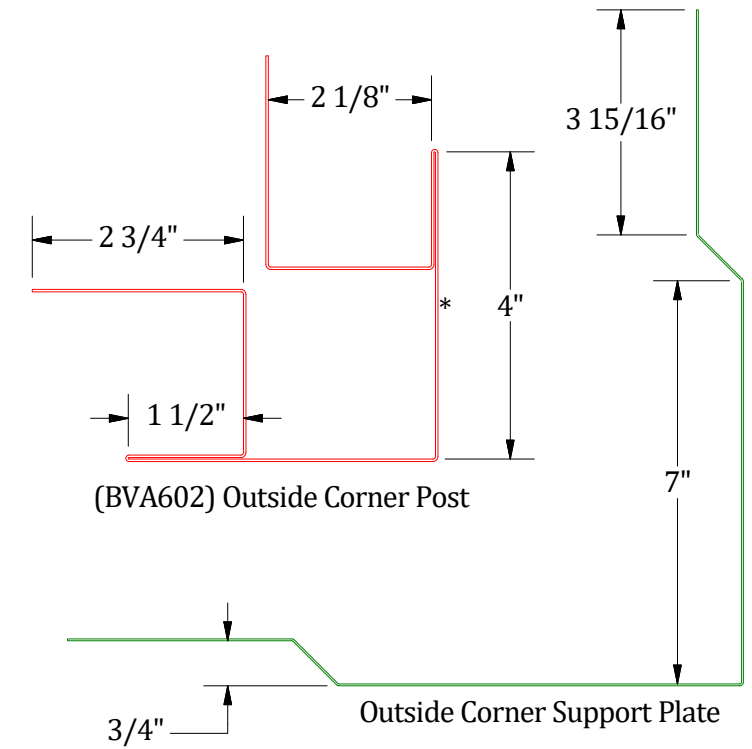
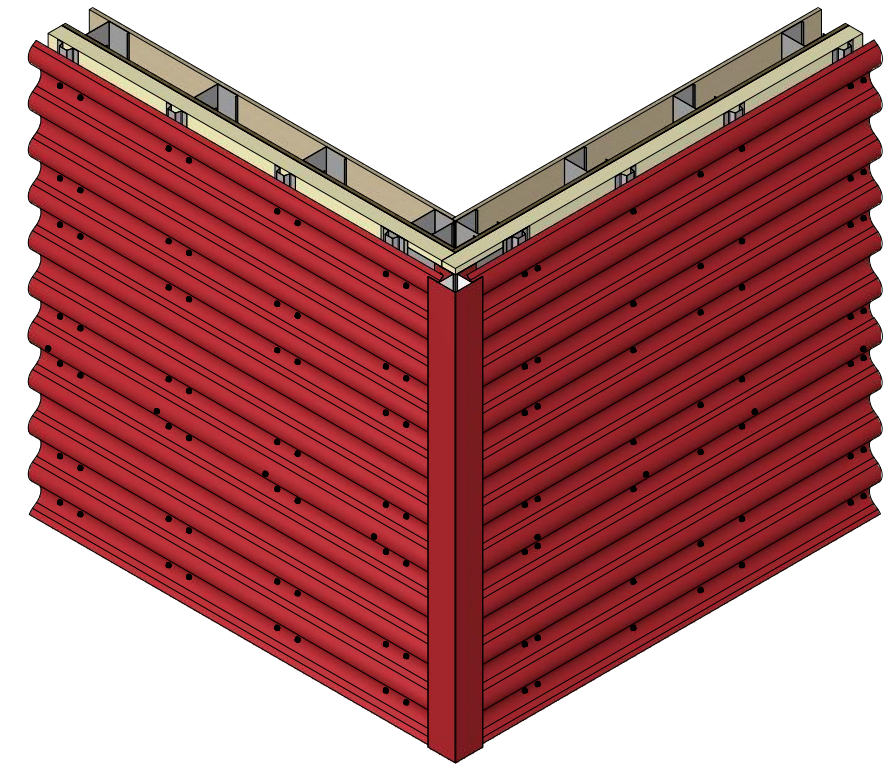
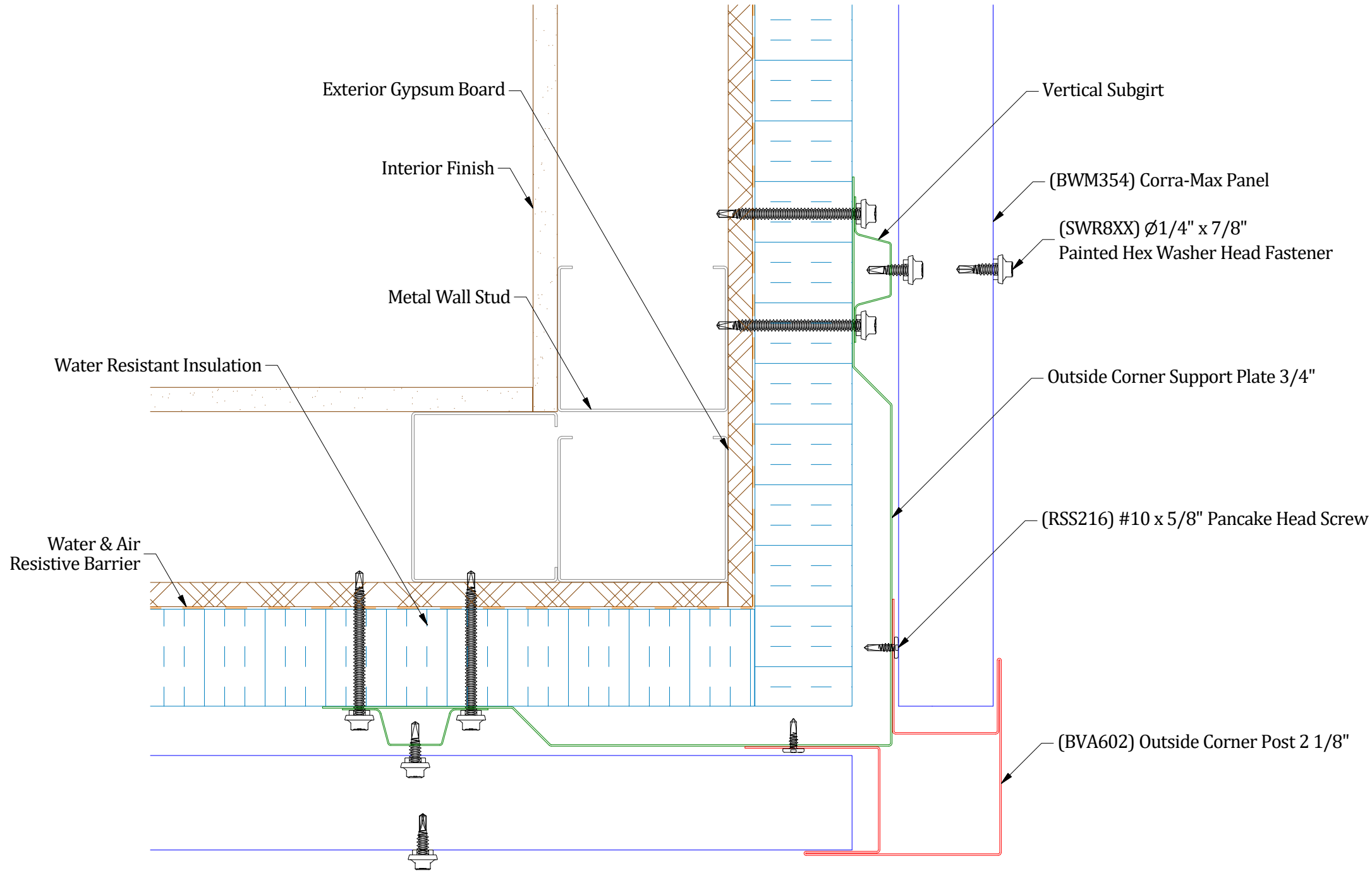
**Notes:**  
1) \* denotes color side.

**ATAS International, Inc.**  
Sustainable Solutions For A Better Future  
www.atas.com | info@atas.com  
800.468.1441

REV. NO.		DATE	DESCRIPTION OF REVISION	BY	APP	DWG TITLE: <b>Open Framing Endwall Detail</b>	
0	1/12/2026	Initial Release		D.S.	M.L.P.	DWG No.:	
PANELS/PRODUCT: <b>Corra-Max</b>						DWG BY: M.L.P.	DWG DATE: 1/12/2026
						APP BY: D.S.	APP DATE: 1/14/2026
						SHEET SIZE: B	SCALE: X : X



# Horizontal Panel



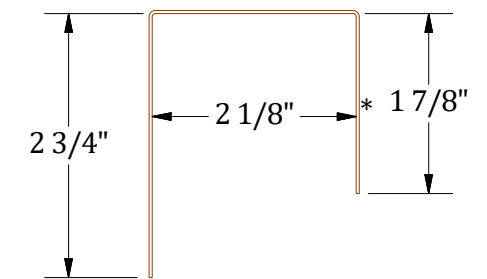
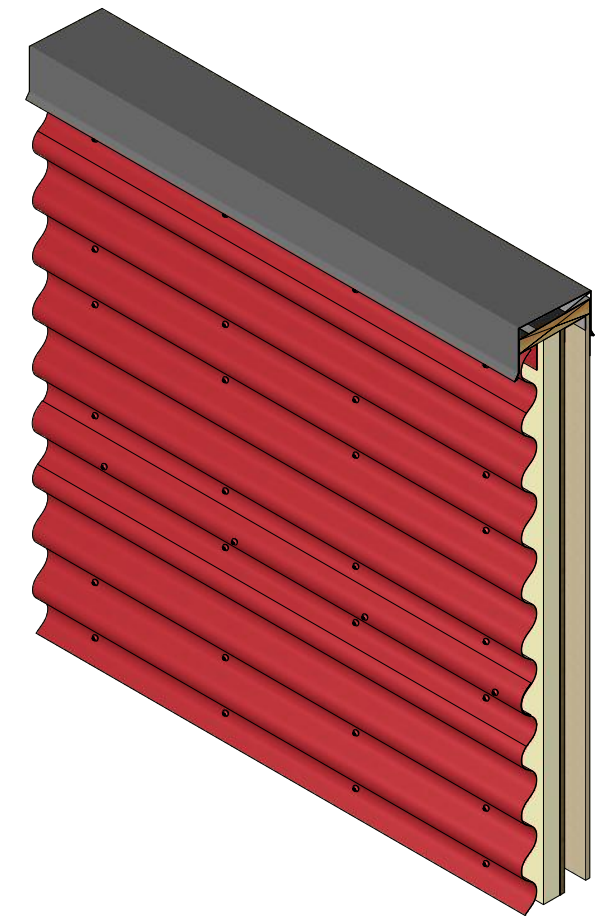
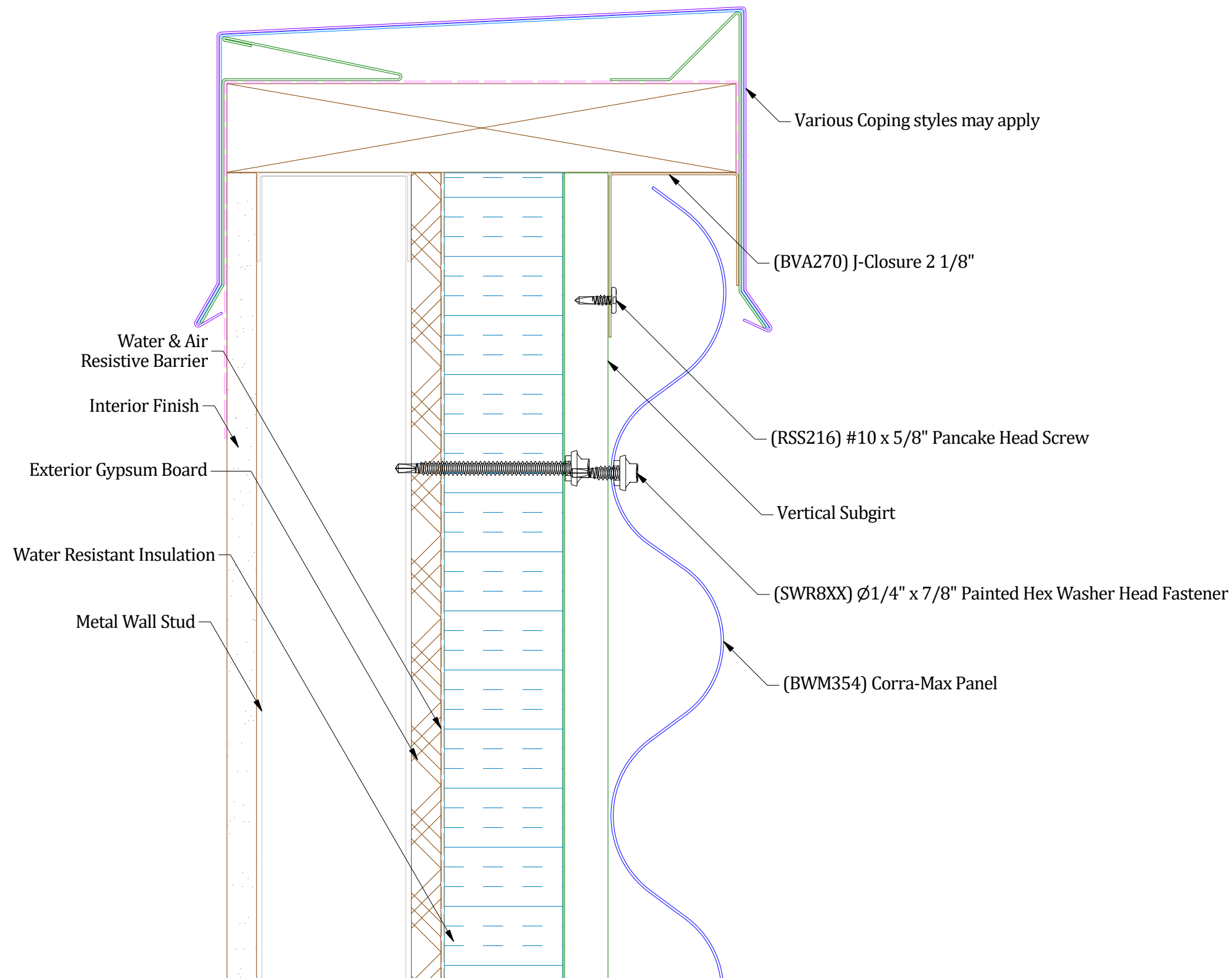
## Notes:

- 1) \* denotes color side.
- 2) Optional 18 Ga. Plate for Outside Corner Post is Available.

**ATAS International, Inc.**  
 Sustainable Solutions For A Better Future  
 www.atas.com | info@atas.com  
 800.468.1441

REV. NO.		DATE	DESCRIPTION OF REVISION	BY	APP	DWG TITLE:	
0	1/12/2026	Initial Release		D.S.	M.L.P.	Open Framing Outside Corner Post Detail	
DWG No.						DWG DATE:	1/12/2026
APP BY:						D.S.	APP DATE:
BY						APP	1/14/2026
PANELS/PRODUCT:						Corra-Max	SHEET SIZE:
						B	SCALE:
							X : X

# Horizontal Panel



(BVA270) J-Closure

**Notes:**

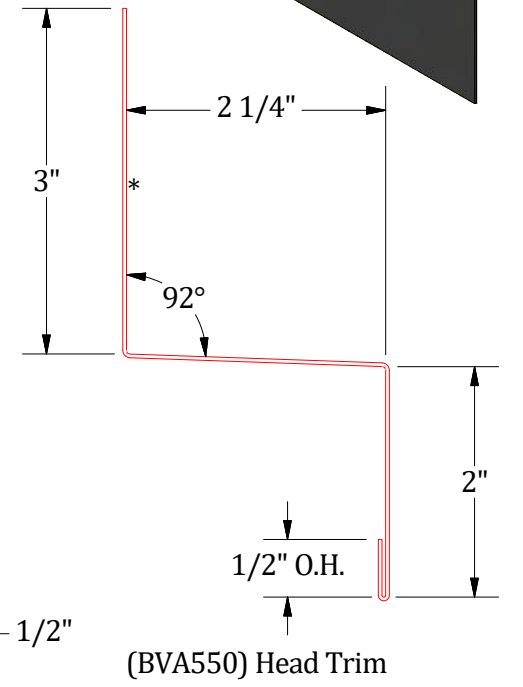
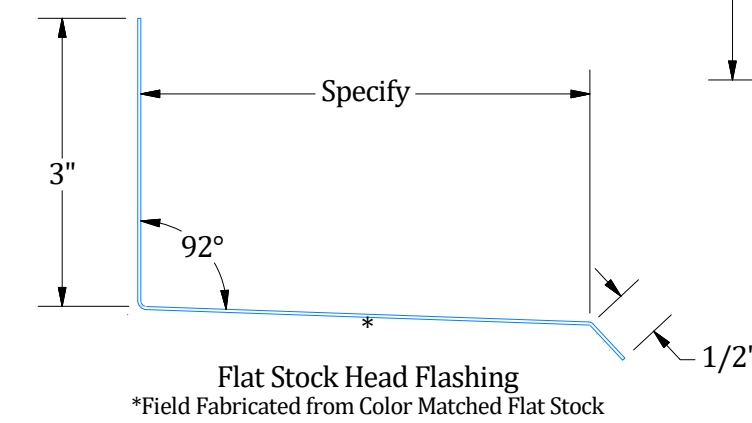
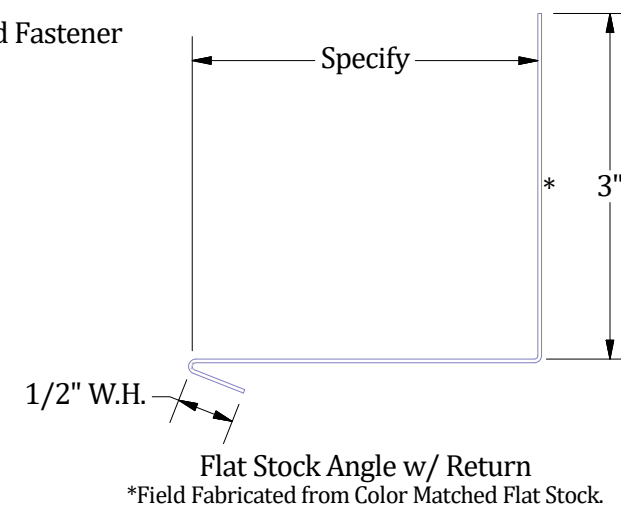
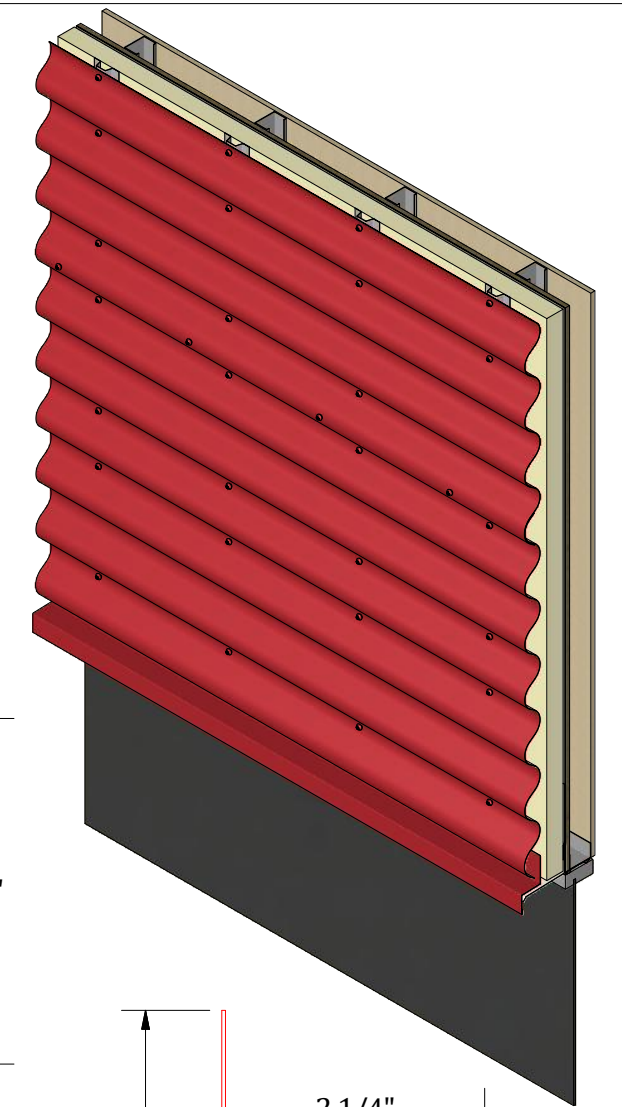
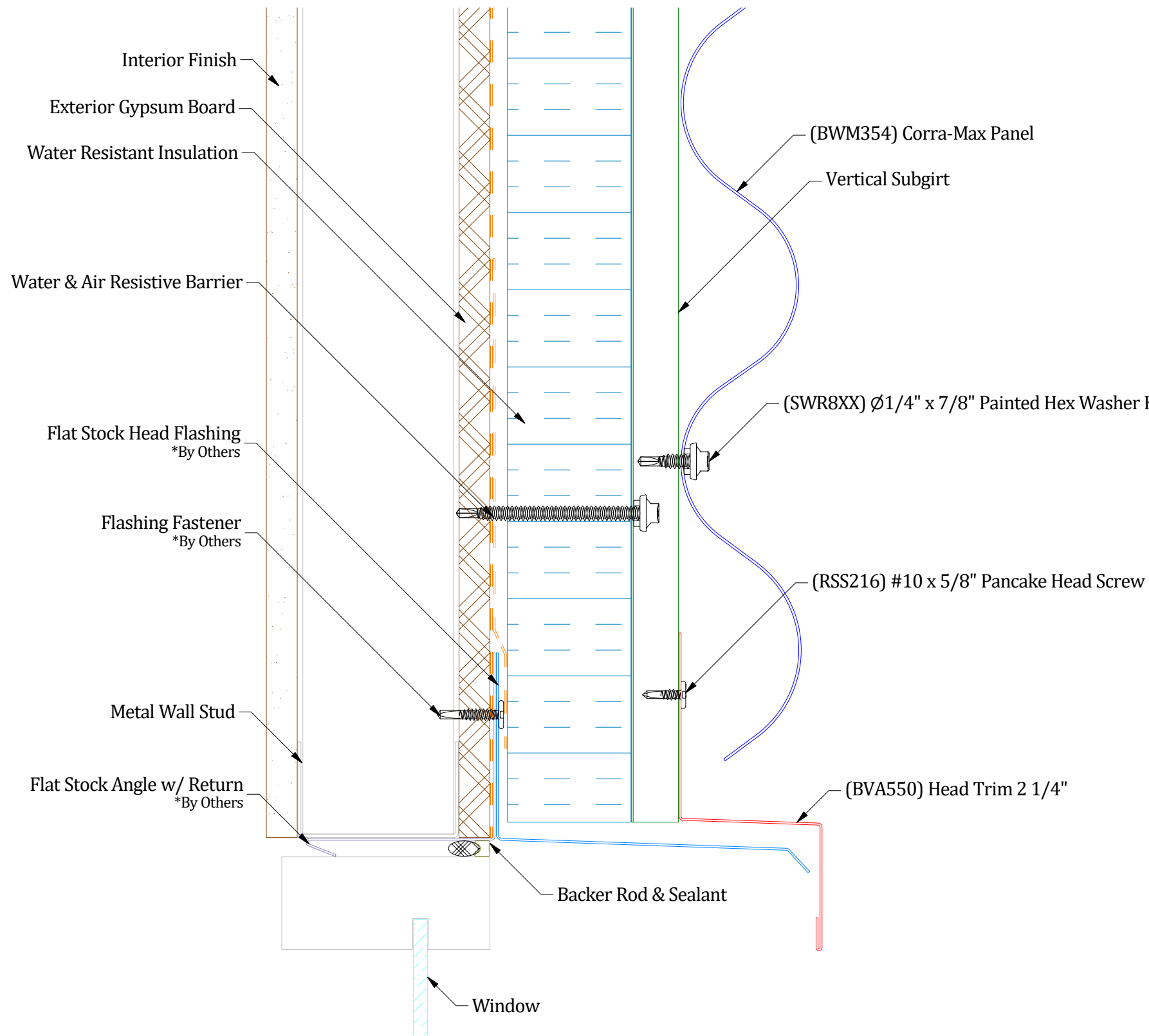
1) \* denotes color side.


**ATAS International, Inc.**  
 Sustainable Solutions For A Better Future  
 www.atas.com | info@atas.com  
 800.468.1441

DWG TITLE: <b>Open Framing Top of Wall Detail</b>		DWG No.:	DWG DATE: 1/12/2026
0	1/12/2026	Initial Release	D.S. M.L.P.
REV. NO.	DATE	DESCRIPTION OF REVISION	BY APP
PANELS/PRODUCT: <b>Corra-Max</b>			APP BY: D.S.
			APP DATE: 1/14/2026
			SHEET SIZE: B
			SCALE: X : X

0	1/12/2026	Initial Release	D.S.	M.L.P.
REV. NO.	DATE	DESCRIPTION OF REVISION	BY	APP

# Horizontal Panel

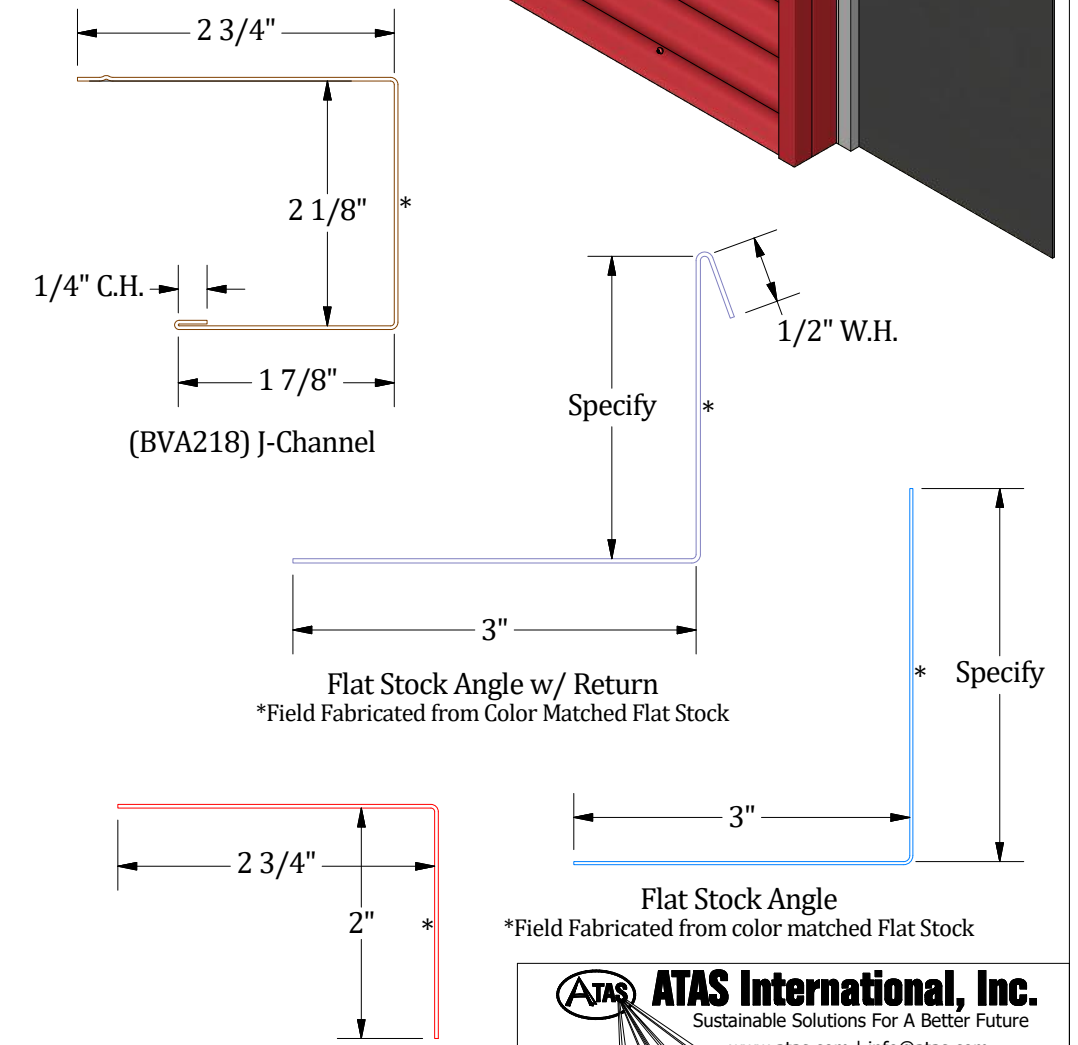
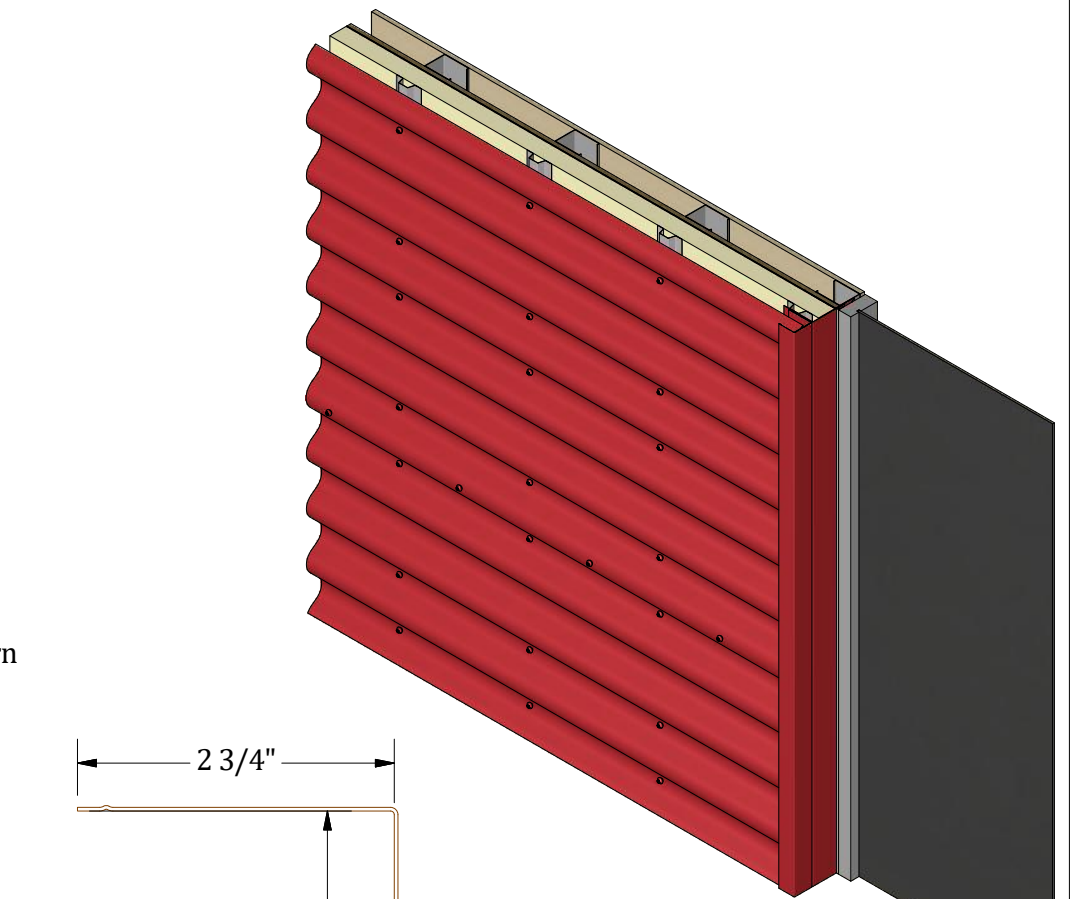
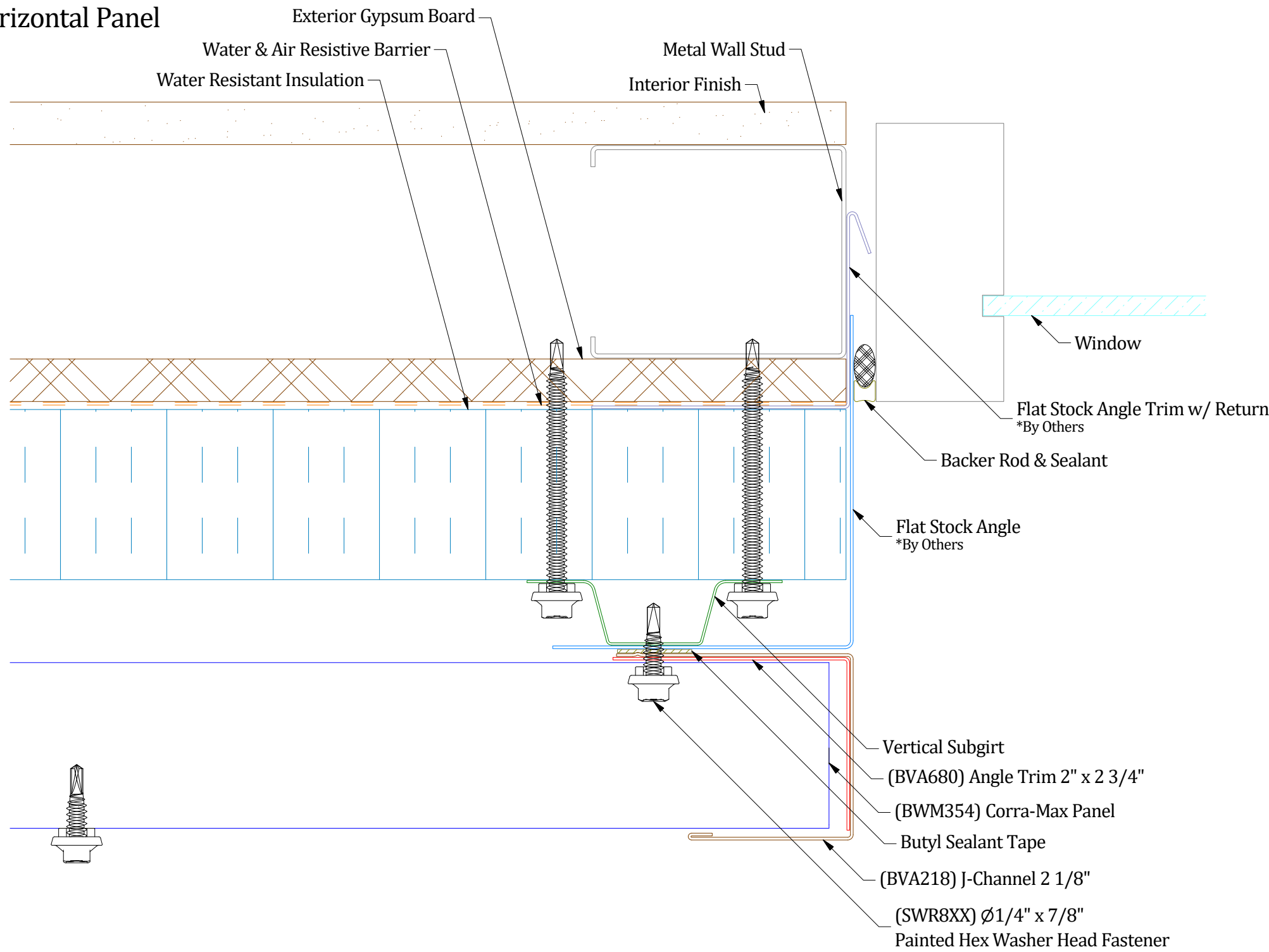


**Notes:**  
1) \* denotes color side.

**ATAS International, Inc.**  
Sustainable Solutions For A Better Future  
www.atas.com | info@atas.com  
800.468.1441

DWG TITLE: <b>Open Framing Window Head Detail</b>				DWG No.:		DWG DATE: 1/12/2026	
REV. NO.				DATE		DESCRIPTION OF REVISION	
BY				APP		PANELS/PRODUCT: <b>Corra-Max</b>	
0				1/12/2026		Initial Release	
D.S.				M.L.P.		APP BY: D.S.	
						APP DATE: 1/14/2026	
						SHEET SIZE: B	
						SCALE: X : X	

# Horizontal Panel



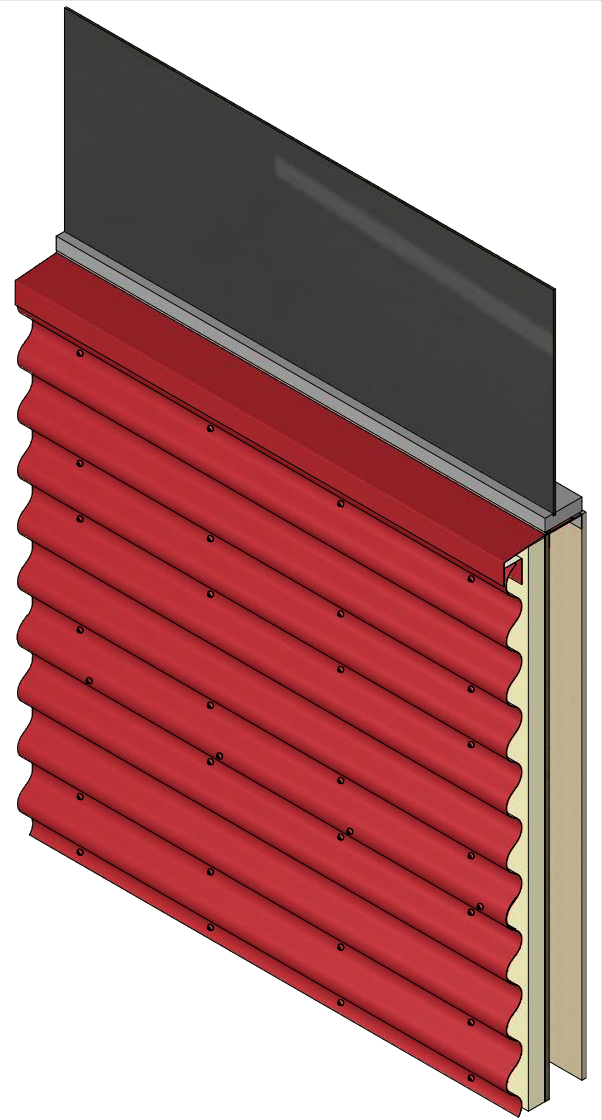
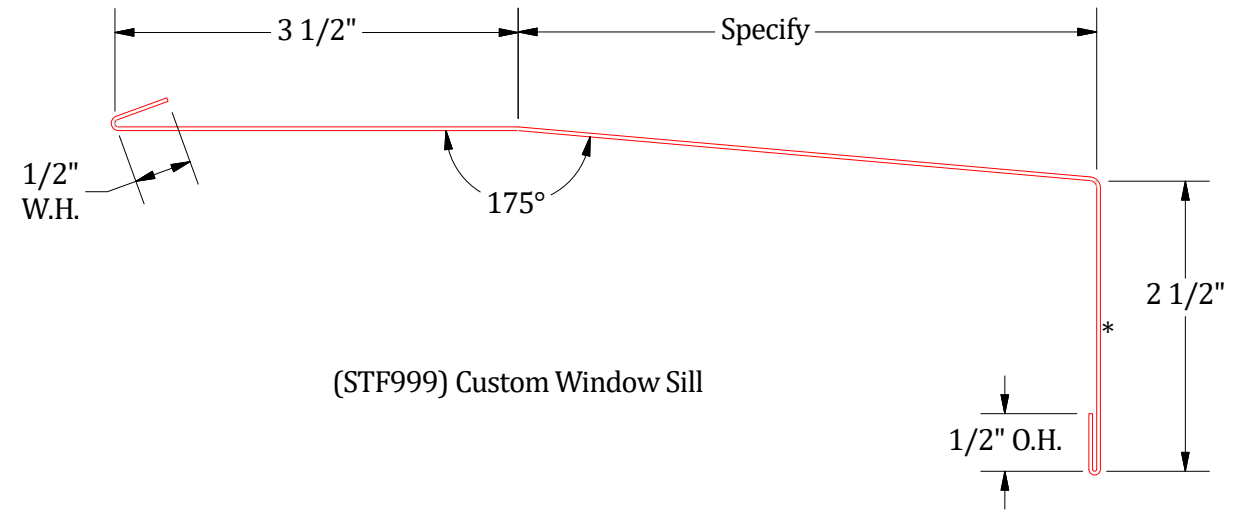
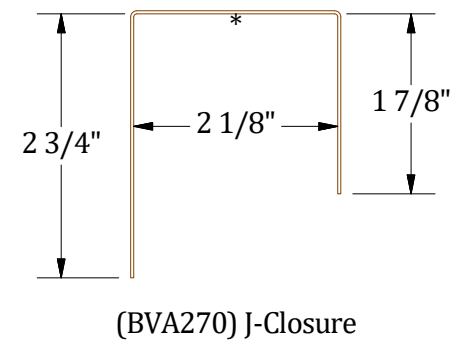
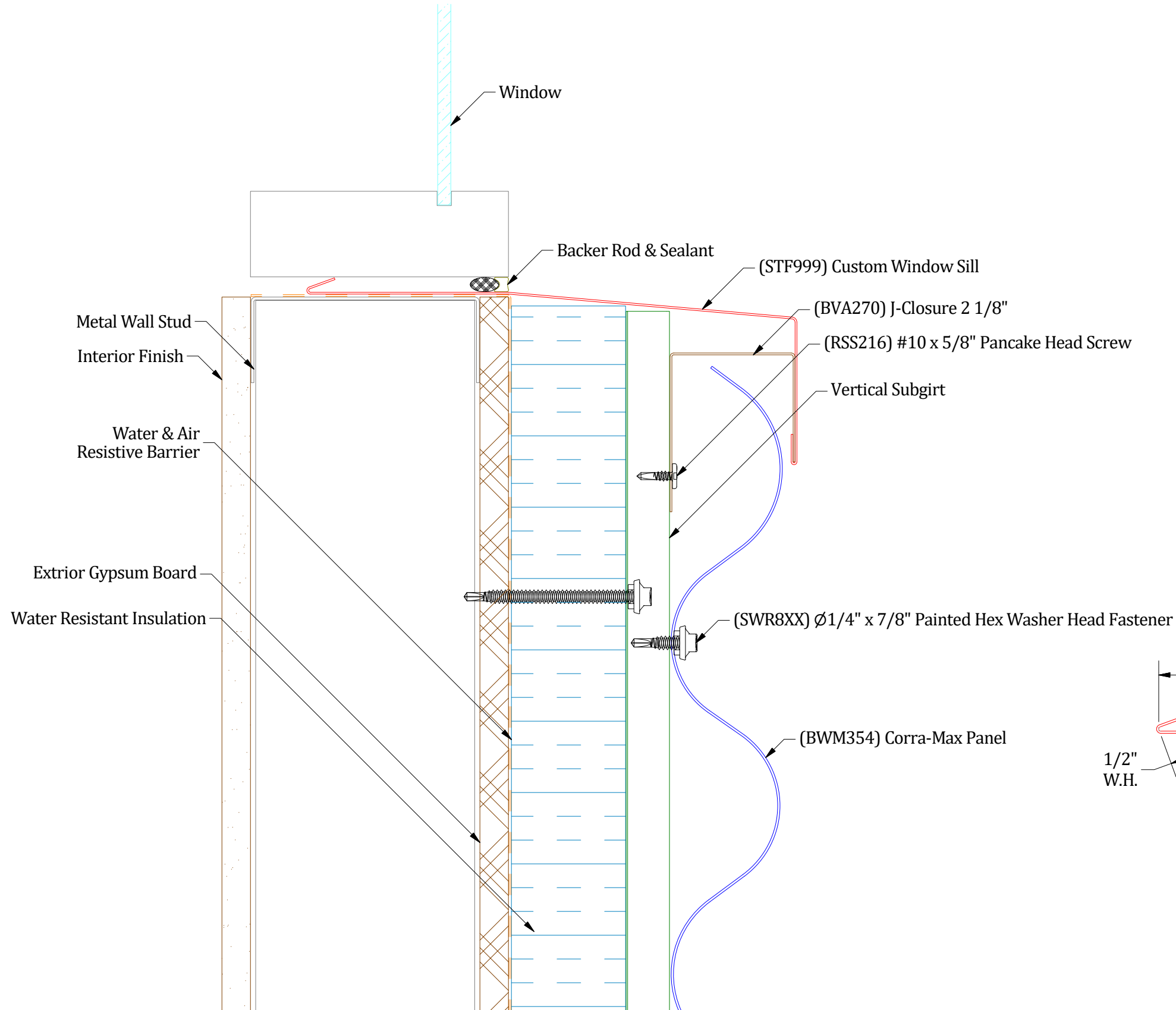
**Notes:**  
1) \* denotes color side.

**ATAS International, Inc.**  
Sustainable Solutions For A Better Future  
www.atas.com | info@atas.com  
800.468.1441

REV. NO.		DATE	DESCRIPTION OF REVISION	BY	APP	DWG TITLE:	
0	1/12/2026	Initial Release		D.S.	M.L.P.	Open Framing Window Jamb Detail	
						DWG No.:	
						DWG DATE: 1/12/2026	
						APP BY: D.S.	
						APP DATE: 1/14/2026	
						SHEET SIZE: B	
						SCALE: X : X	

PANELS/PRODUCT: Corra-Max

# Horizontal Panel



**Notes:**

1) \* denotes color side.

**ATAS International, Inc.**  
 Sustainable Solutions For A Better Future  
 www.atas.com | info@atas.com  
 800.468.1441

REV. NO.		DATE	DESCRIPTION OF REVISION	BY	APP	DWG TITLE: <b>Open Framing Window Sill Detail</b>	
0	1/12/2026	Initial Release		D.S.	M.L.P.	DWG No.:	
						DWG DATE: 1/12/2026	
						APP BY: D.S.	
						APP DATE: 1/14/2026	
						PANELS/PRODUCT: <b>Corra-Max</b>	
						SHEET SIZE: B	
						SCALE: X : X	