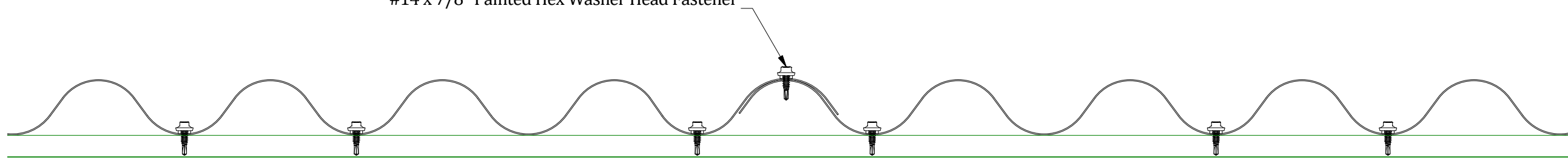


(BWM354) Corra-Max Panel

#14 x 7/8" Painted Hex Washer Head Fastener



Notes:

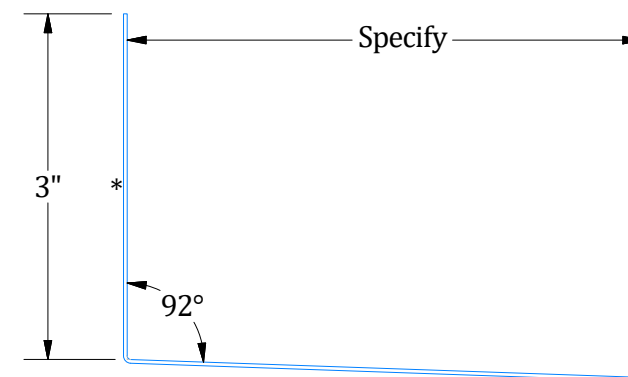
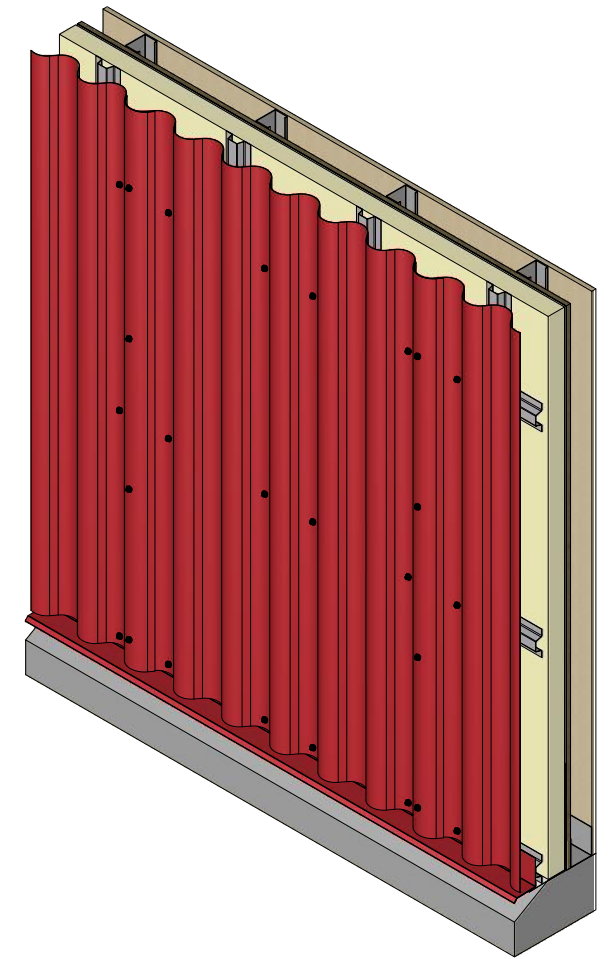
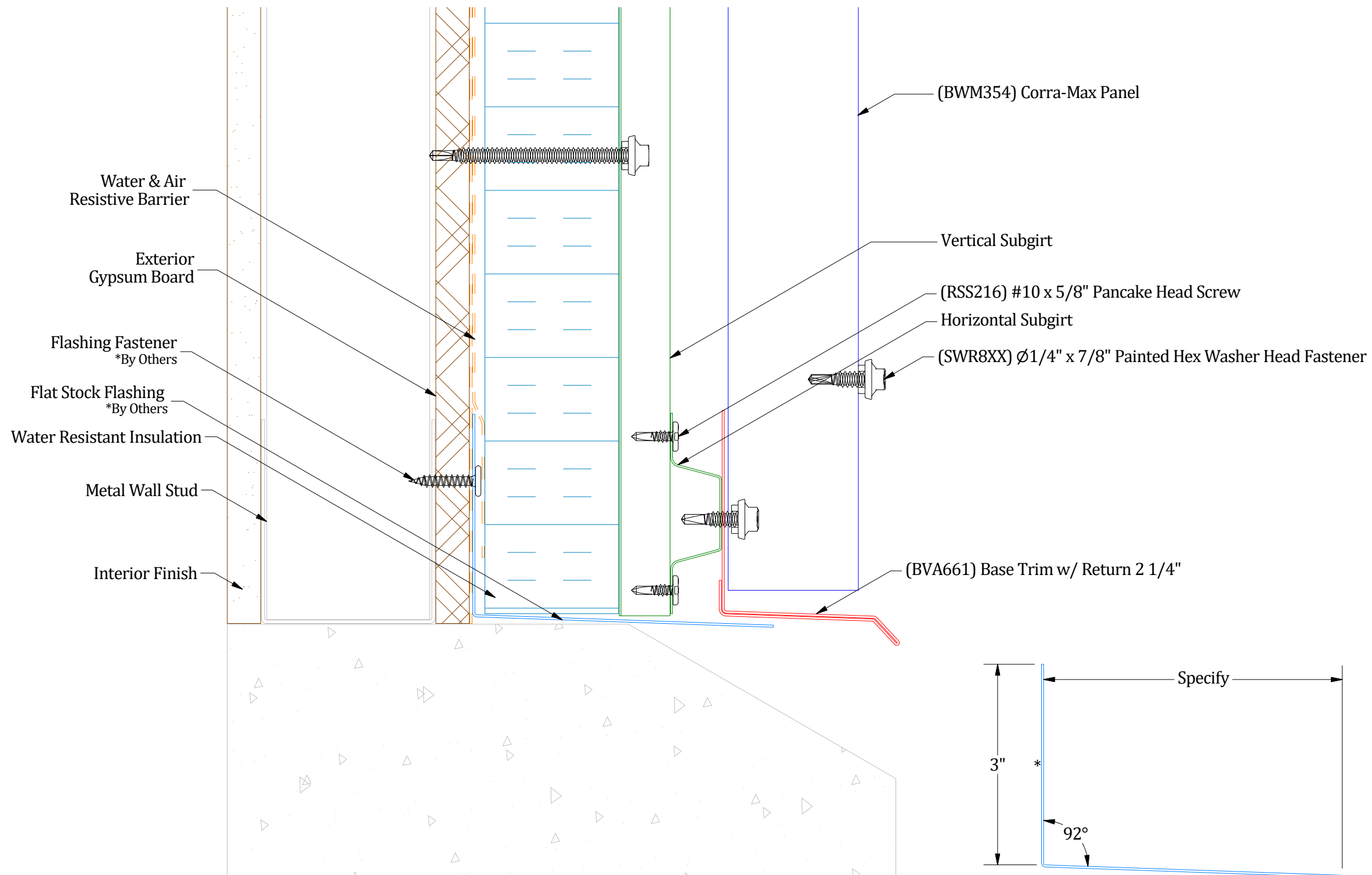
1) * denotes color side.



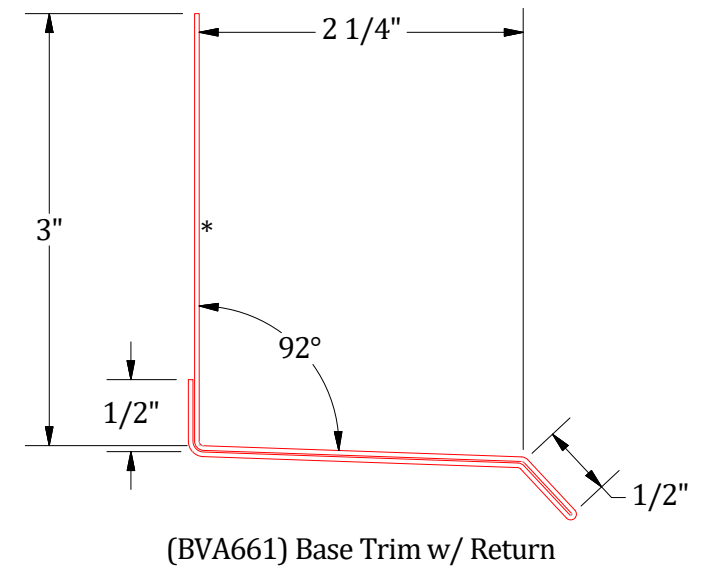
Open Framing Fastening

REV. NO.		DATE	DESCRIPTION OF REVISION	BY	APP	DWG TITLE:		Corra-Max	
0	1/9/2026	Initial Release		D.S.	M.L.P.	DWG No.:		D.W.G. BY:	D.W.G. DATE:
						PANELS/PRODUCT:		D.S.	1/9/2026
								APP BY:	APP DATE:
								D.S.	1/14/2026
								SHEET SIZE:	SCALE:
								B	X : X

Vertical Panel



Flat Stock Flashing
*Field Fabricated from Color Matched Flat Stock

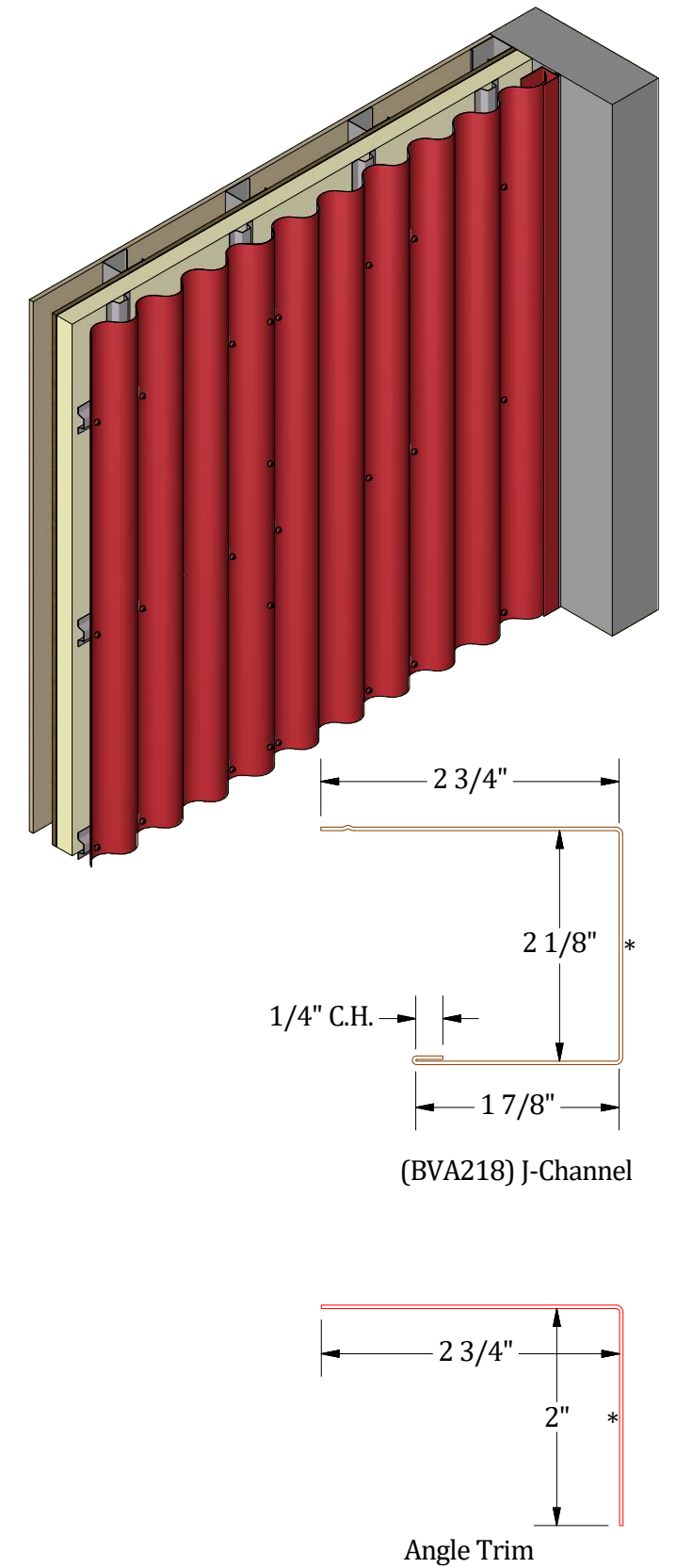
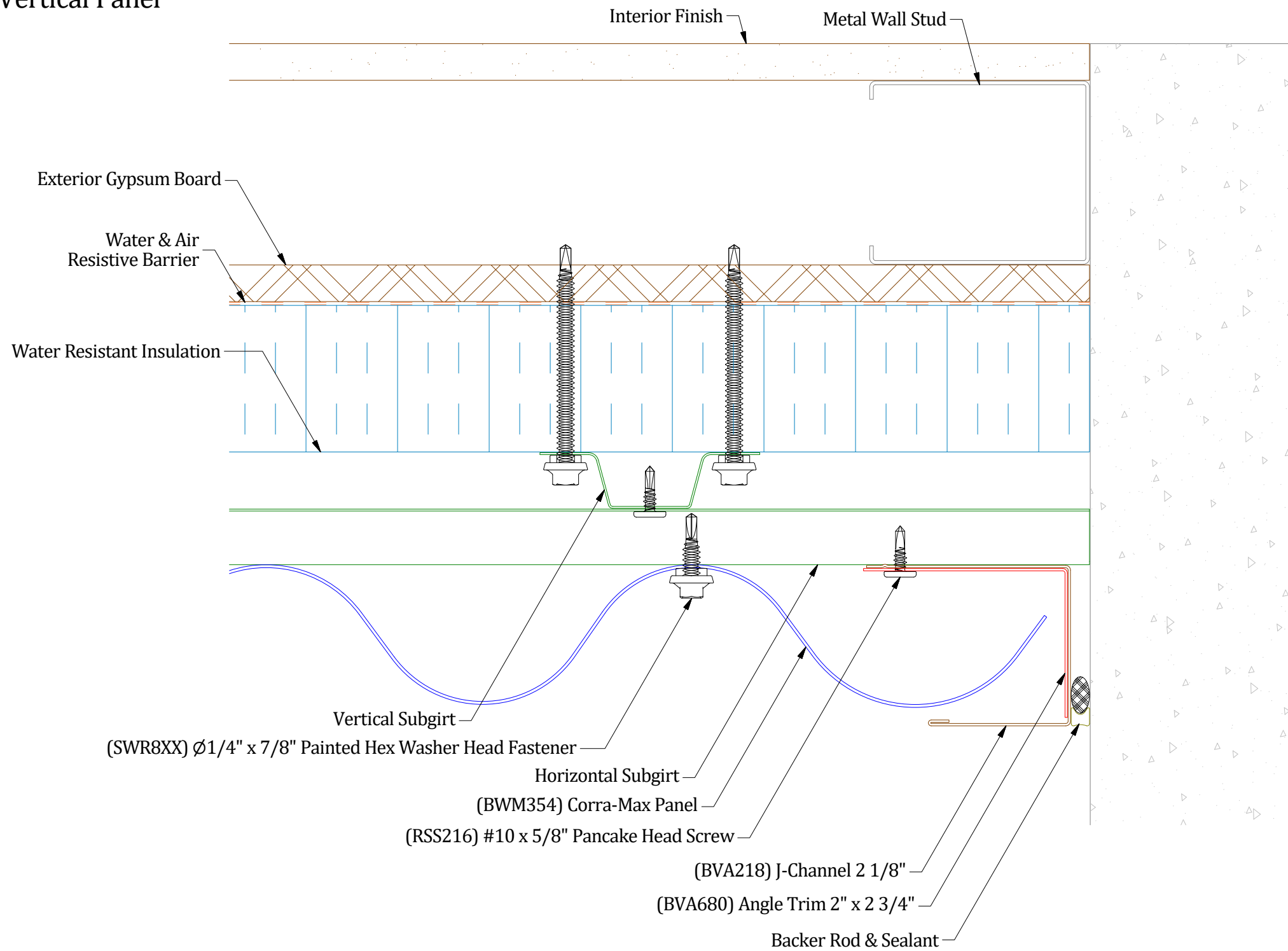


Notes:
1) * denotes color side.

ATAS International, Inc.
Sustainable Solutions For A Better Future
www.atas.com | info@atas.com
800.468.1441

DWG TITLE: Open Framing Base Detail		DWG No.:		DWG BY: M.L.P.	DWG DATE: 1/12/2026
0	1/12/2026	Initial Release	D.S.	M.L.P.	APP DATE: 1/14/2026
REV. NO.	DATE	DESCRIPTION OF REVISION	BY	APP	PANELS/PRODUCT: Corra-Max
					SHEET SIZE: B
					SCALE: X : X

Vertical Panel



Notes:
1) * denotes color side.

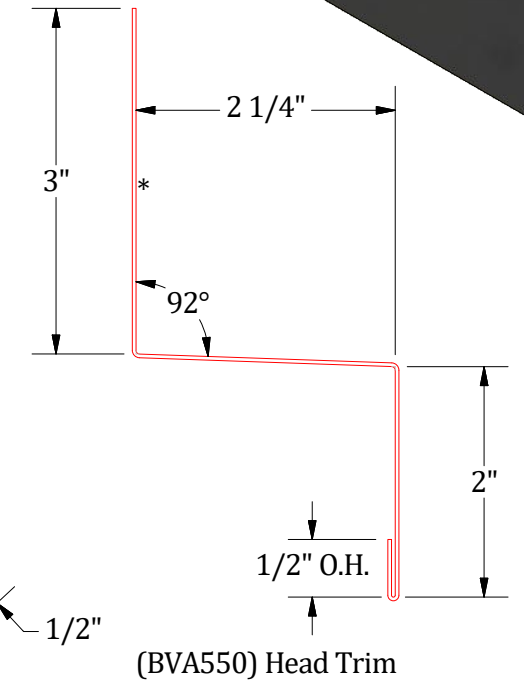
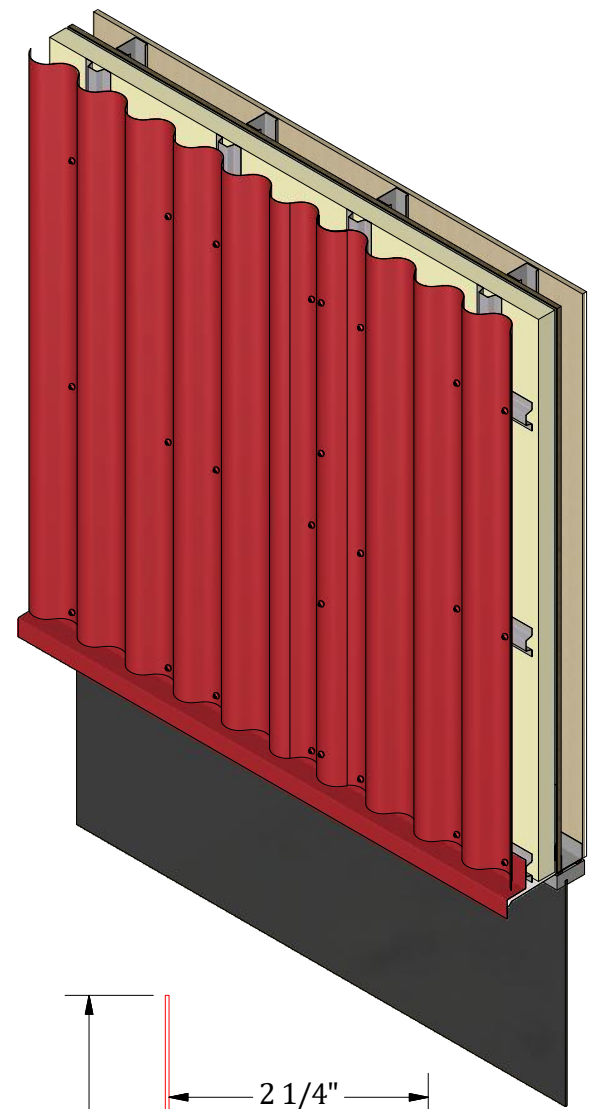
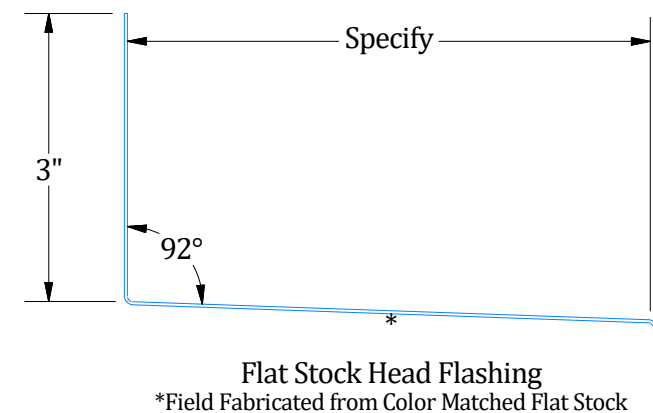
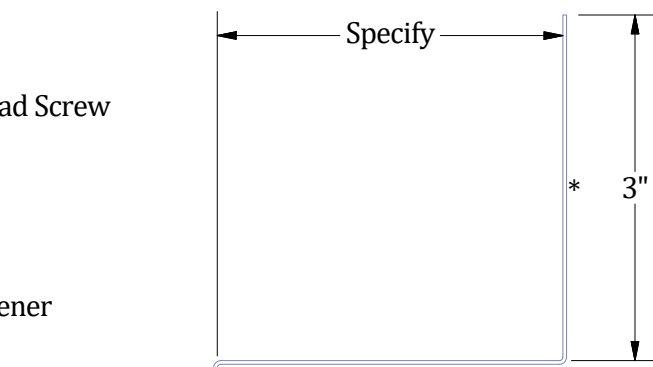
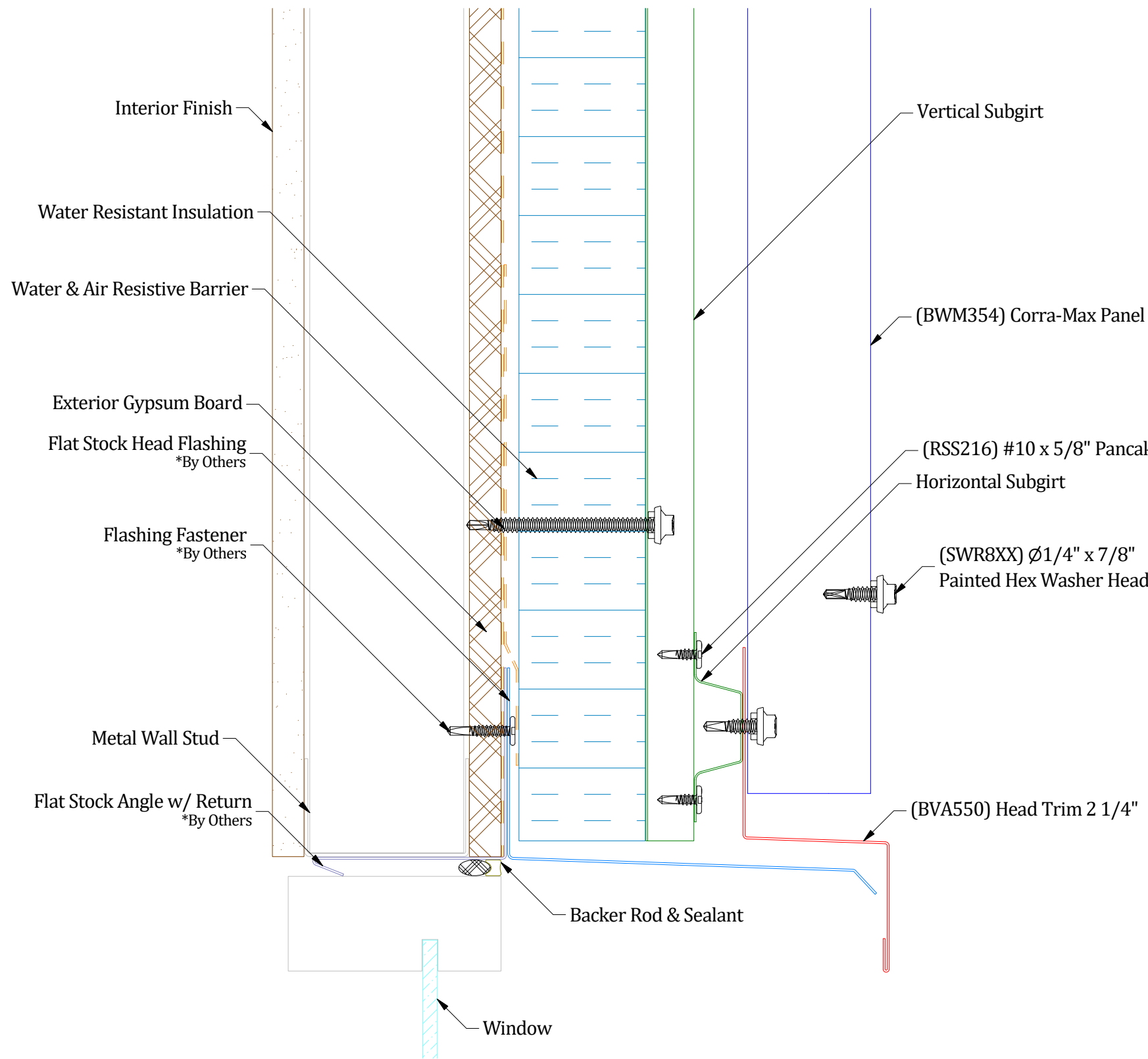
ATAS International, Inc.
Sustainable Solutions For A Better Future
www.atas.com | info@atas.com
800.468.1441

REV. NO.	DATE	DESCRIPTION OF REVISION	BY	APP	DWG No.	DWG DATE:	DWG BY:	DWG DATE:
0	1/12/2026	Initial Release	D.S.	M.L.P.		1/12/2026	M.L.P.	1/12/2026
					PANELS/PRODUCT:		D.S.	1/14/2026
								SCALE: X : X

Open Framing Endwall Detail

Corra-Max

Vertical Panel

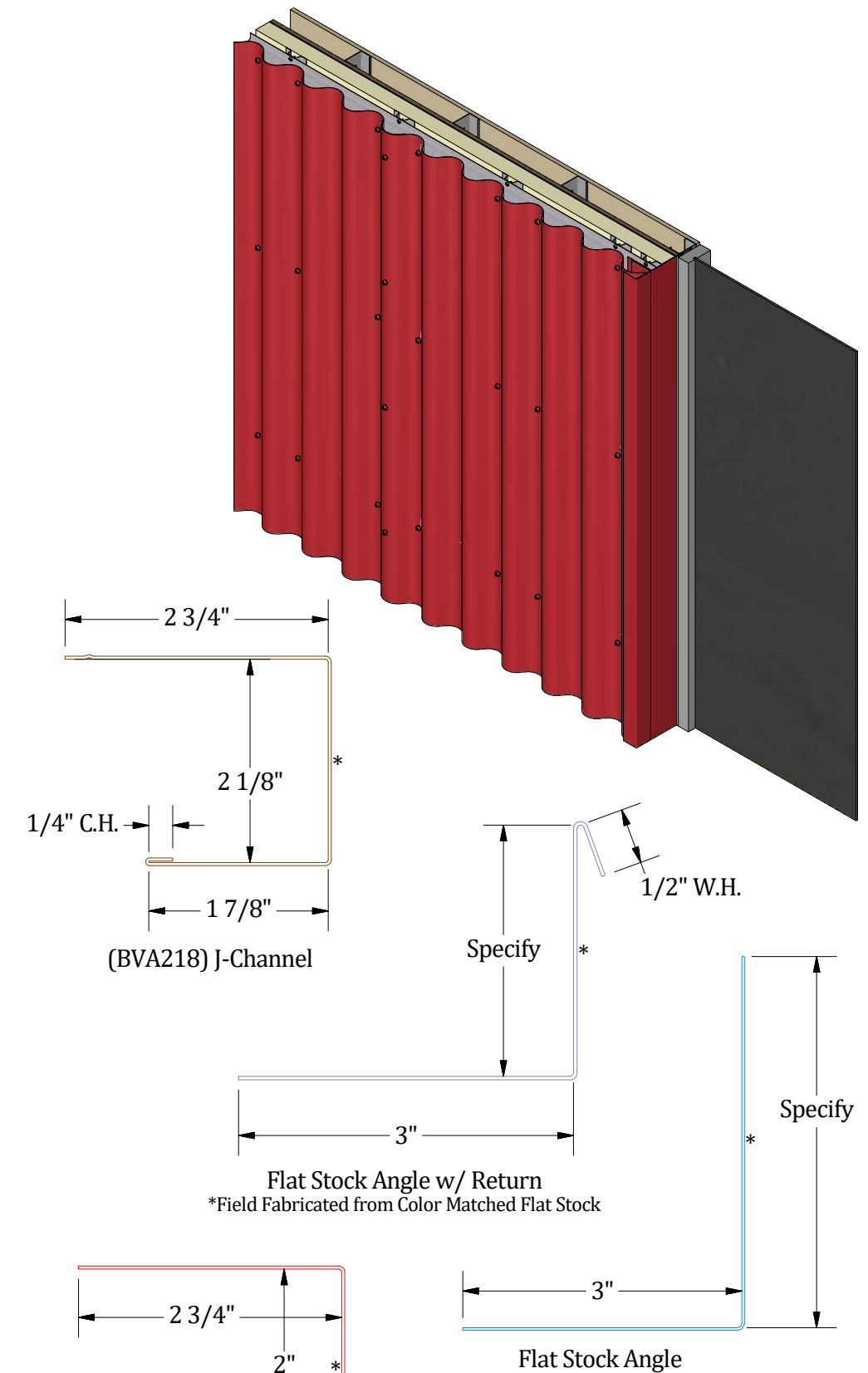
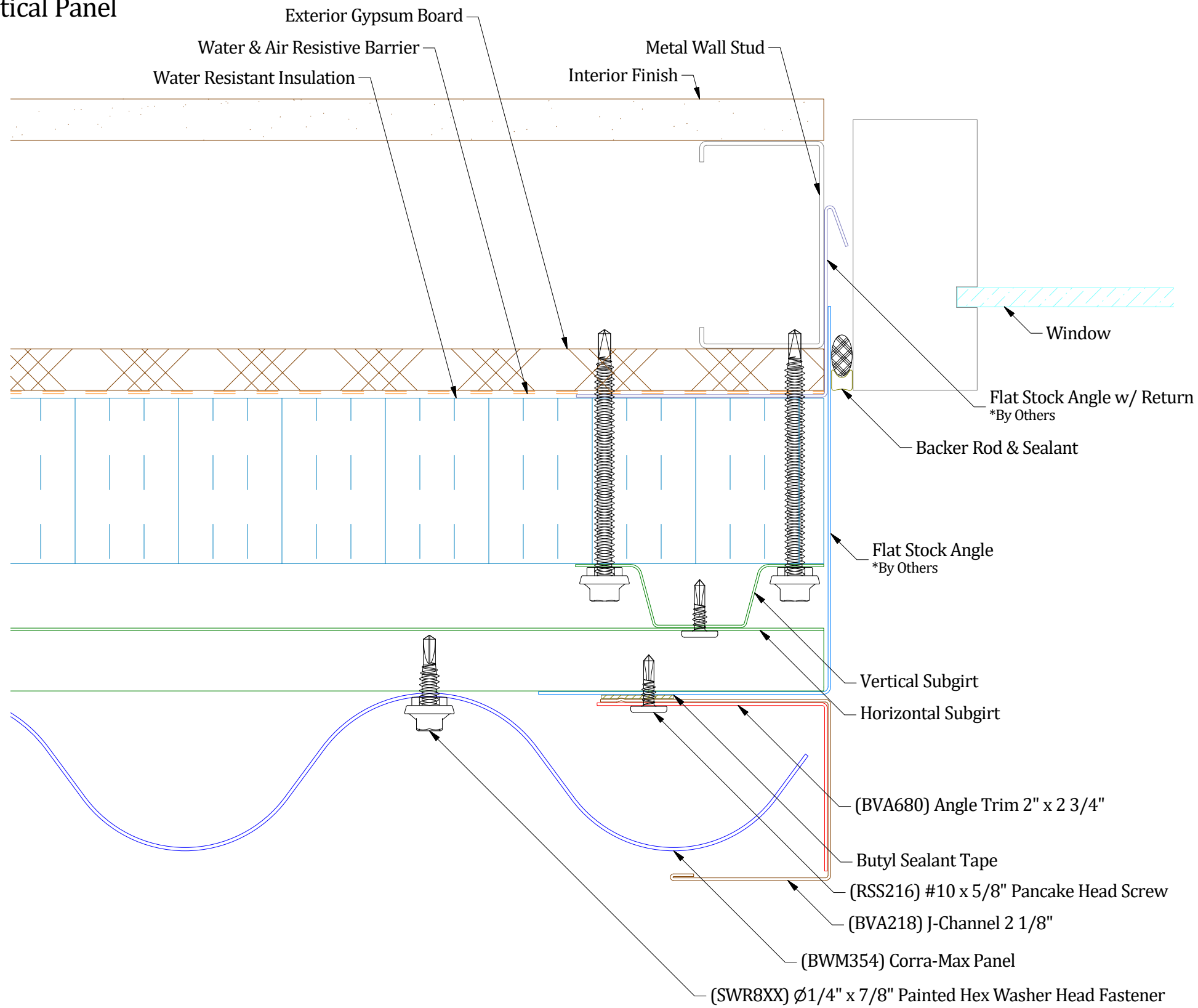


Notes:
1) * denotes color side.

ATAS International, Inc.
Sustainable Solutions For A Better Future
www.atas.com | info@atas.com
800.468.1441

REV. NO.	DATE	DESCRIPTION OF REVISION	BY	APP	DWG TITLE:	DWG No.:	DWG DATE:	APP BY:	APP DATE:	SHEET SIZE:	SCALE:
0	1/12/2026	Initial Release	D.S.	M.L.P.	Open Framing Window Head Detail		1/12/2026	M.L.P.	1/14/2026	B	X : X
					PANELS/PRODUCT:	Corra-Max					

Vertical Panel



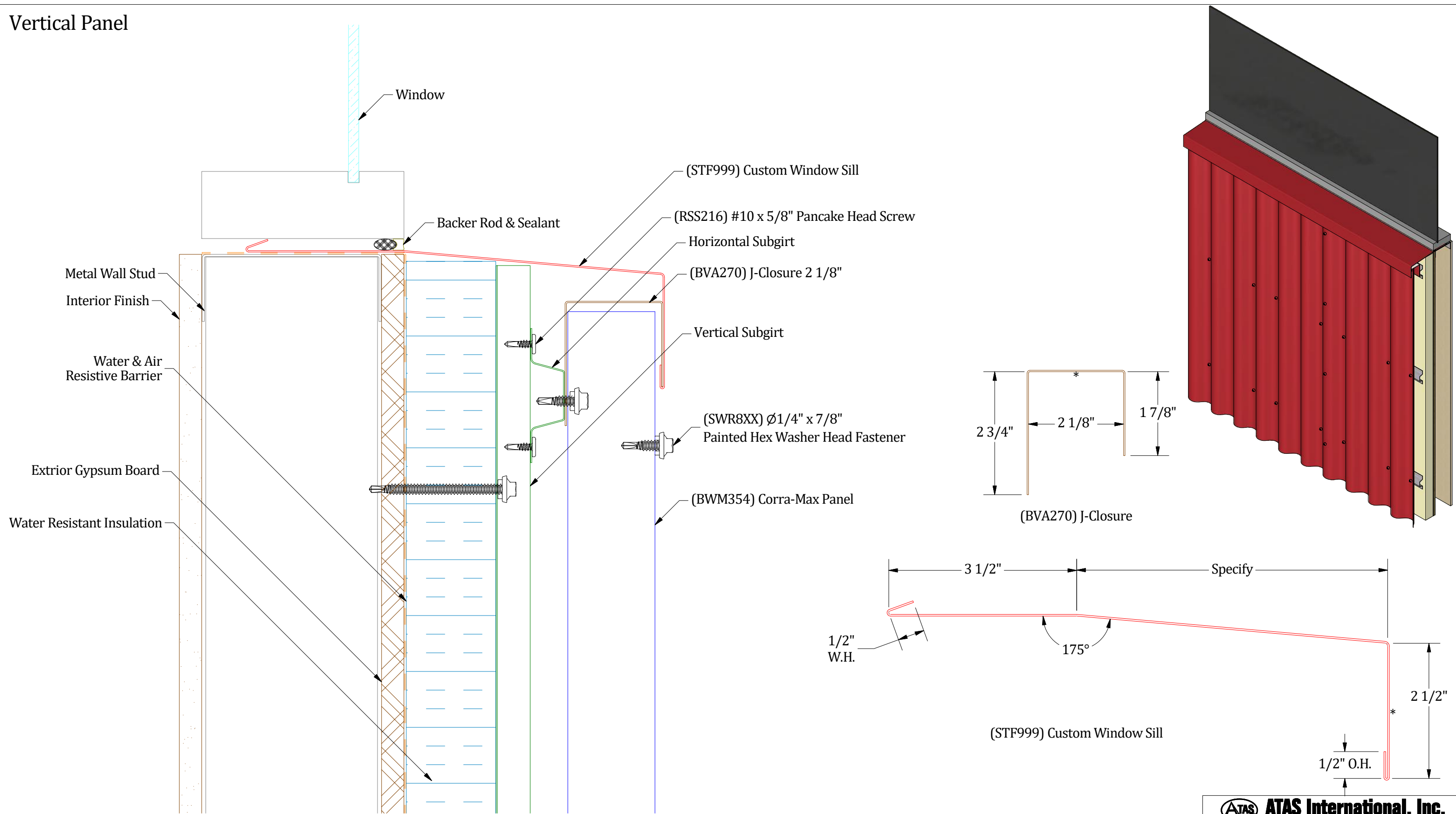
Notes:
1) * denotes color side.

REV. NO.	DATE	DESCRIPTION OF REVISION	BY	APP	DWG. No.	DWG. DATE:	APP. BY:	APP. DATE:	SHEET SIZE:	SCALE:
0	1/12/2026	Initial Release	D.S.	M.L.P.		1/12/2026	D.S.	1/14/2026	B	X : X

ATAS International, Inc.
Sustainable Solutions For A Better Future
www.atas.com | info@atas.com
800.468.1441

DWG TITLE: **Open Framing Window Jamb Detail**
PANELS/PRODUCT: **Corra-Max**

Vertical Panel



Notes:
1) * denotes color side.

ATAS International, Inc.
Sustainable Solutions For A Better Future
www.atas.com | info@atas.com
800.468.1441

DWG TITLE: Open Framing Window Sill Detail		DWG No.:		DWG DATE: 1/12/2026
0	1/12/2026	Initial Release	D.S.	M.L.P.
REV. NO.	DATE	DESCRIPTION OF REVISION	BY	APP
PANELS/PRODUCT: Corra-Max			APP BY: D.S.	APP DATE: 1/14/2026
			SHEET SIZE: B	SCALE: X : X