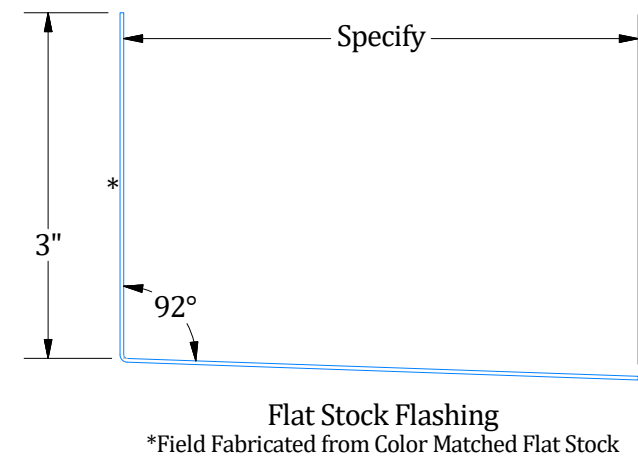
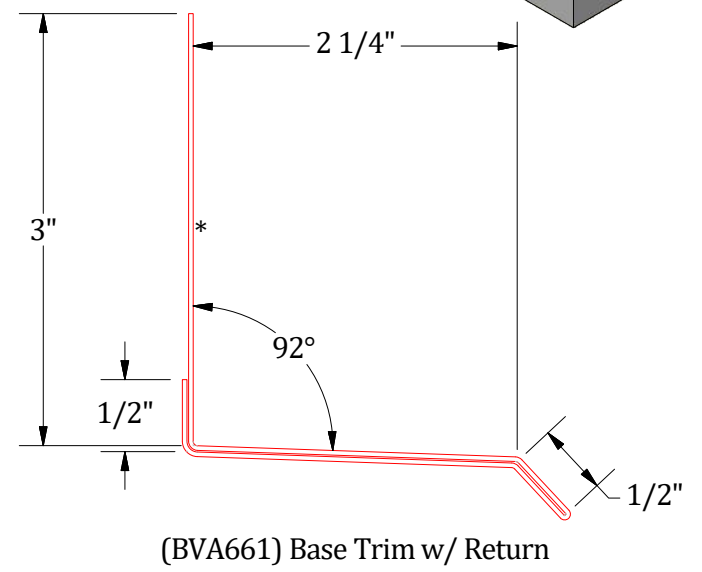
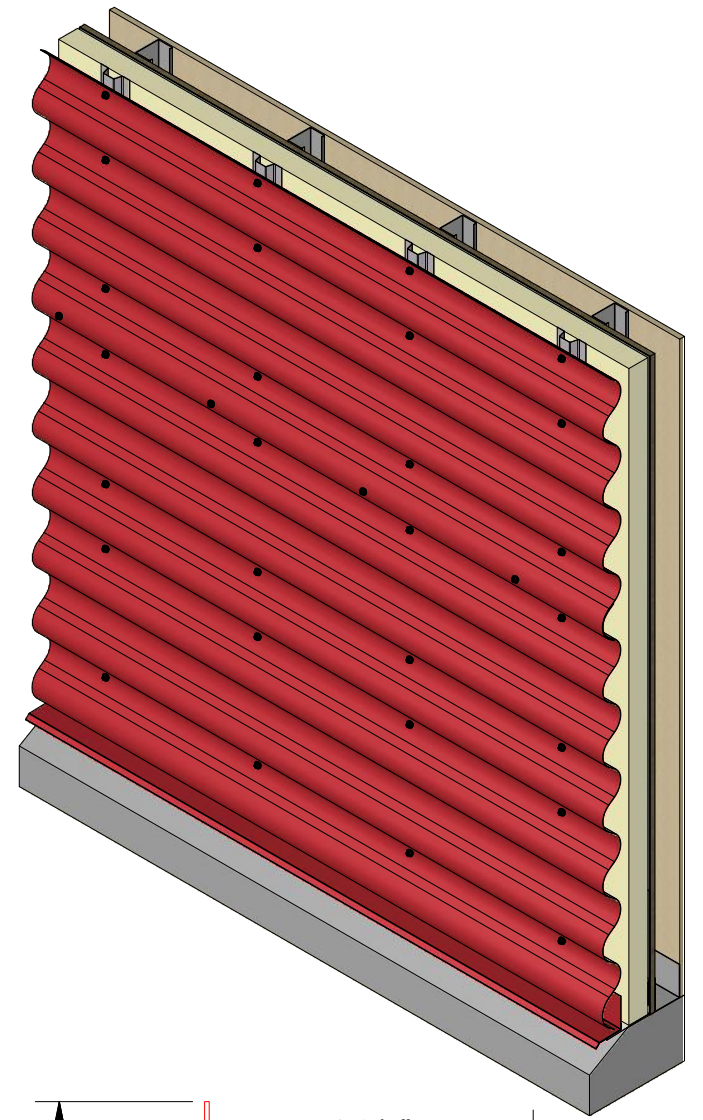
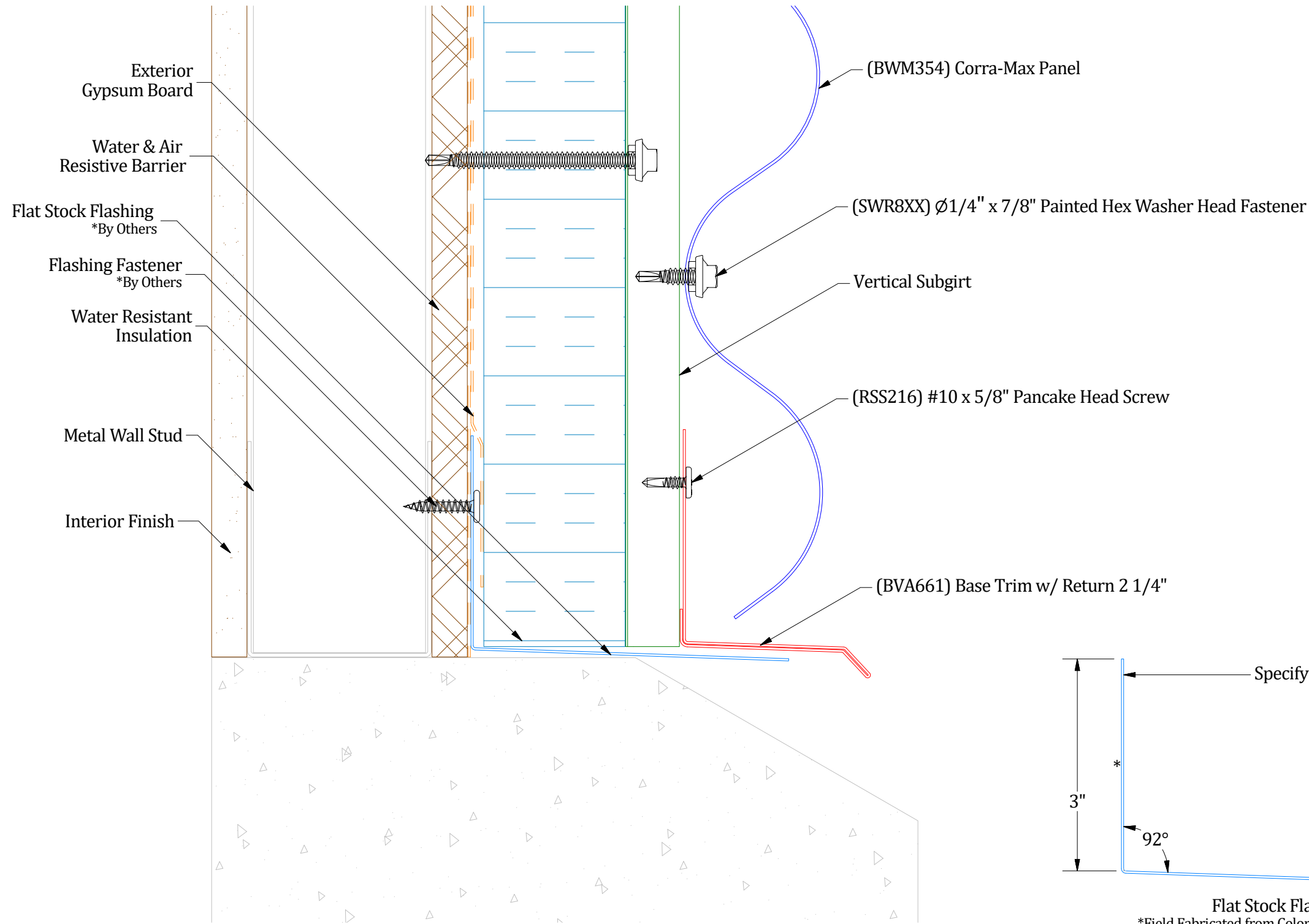


Horizontal Panel



Notes:
1) * denotes color side.

ATAS International, Inc.
Sustainable Solutions For A Better Future
www.atas.com | info@atas.com
800.468.1441

DWG TITLE: Open Framing Base Detail		DWG No:	DWG DATE: 1/12/2026
REV. NO.	DATE	DESCRIPTION OF REVISION	BY APP
0	1/12/2026	Initial Release	D.S. M.L.P.
PANELS/PRODUCT: Corra-Max		APP BY: D.S.	APP DATE: 1/14/2026
SHEET SIZE: B		SCALE: X : X	