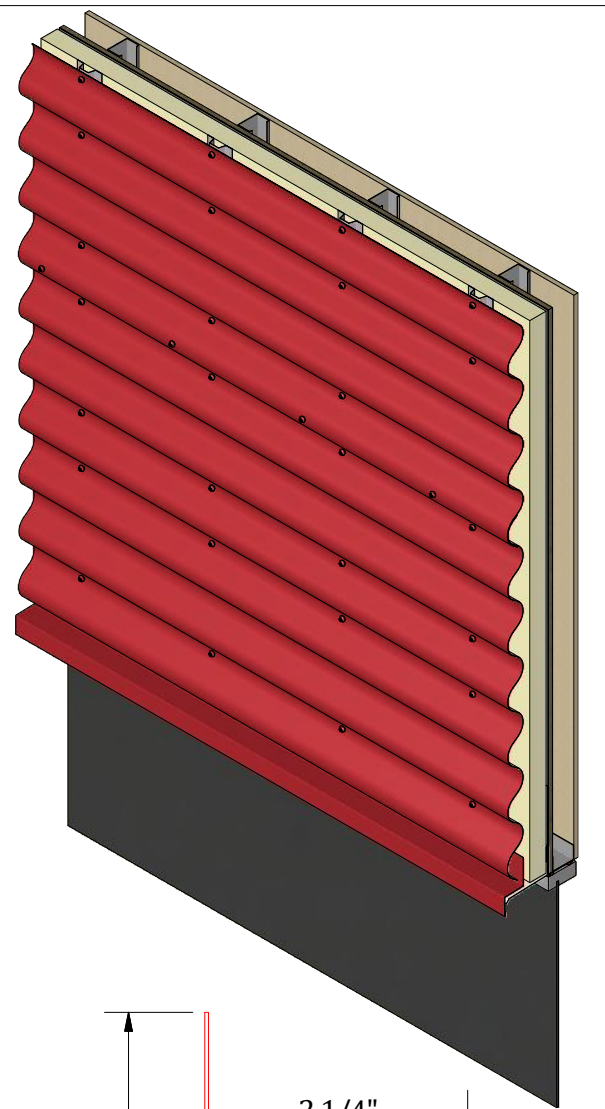
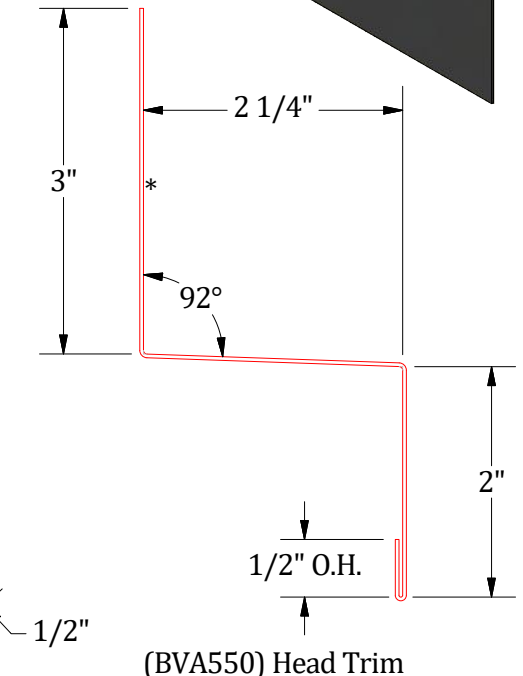
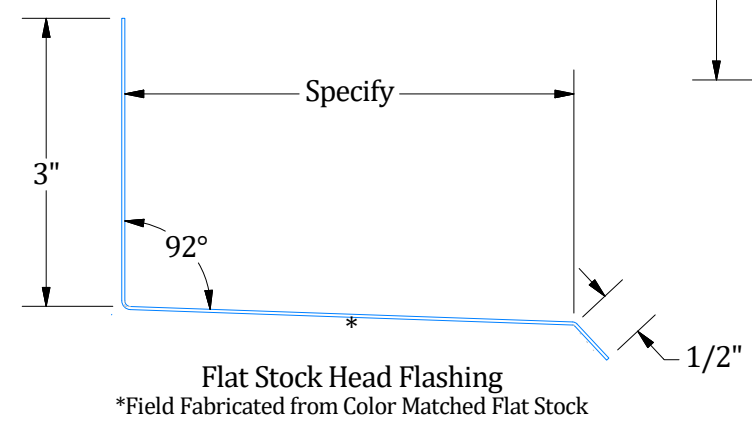
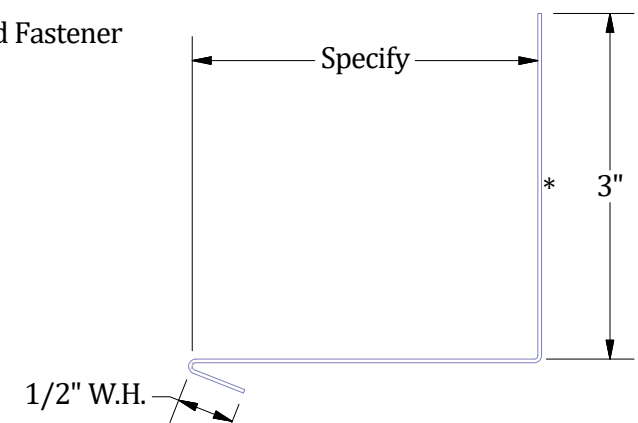
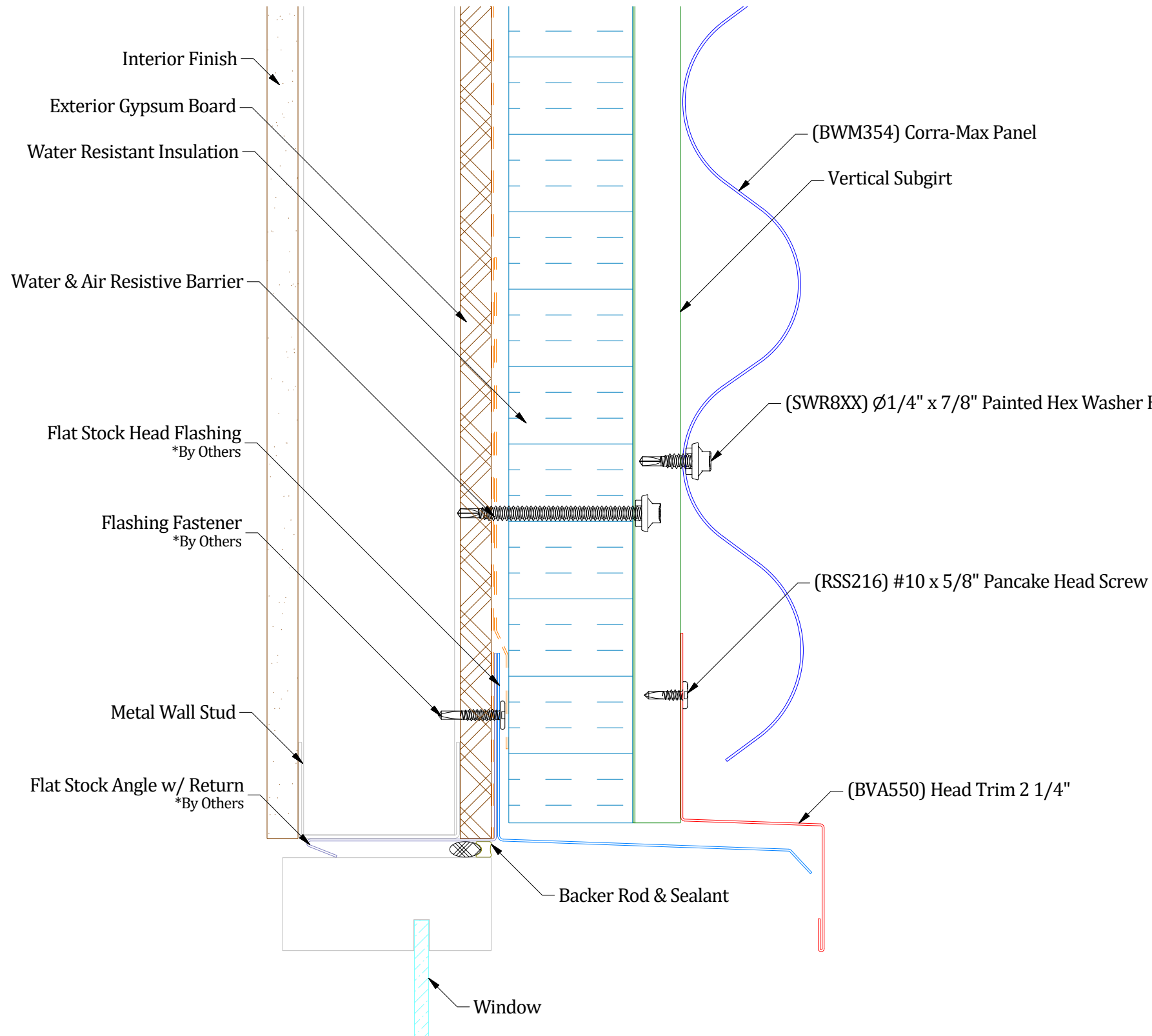


# Horizontal Panel



**Notes:**  
1) \* denotes color side.

**ATAS International, Inc.**  
Sustainable Solutions For A Better Future  
www.atas.com | info@atas.com  
800.468.1441

DWG TITLE: <b>Open Framing Window Head Detail</b>				DWG No.:		DWG DATE: 1/12/2026	
REV. NO. 0				DATE 1/12/2026		DESCRIPTION OF REVISION Initial Release	
BY D.S.				APP M.L.P.		PANELS/PRODUCT: Corra-Max	
SCALE: X : X				SHEET SIZE: B		APP DATE: 1/14/2026	