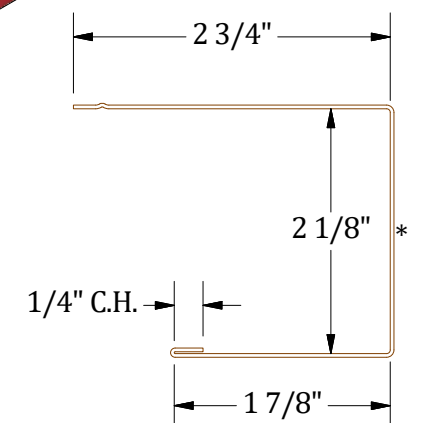
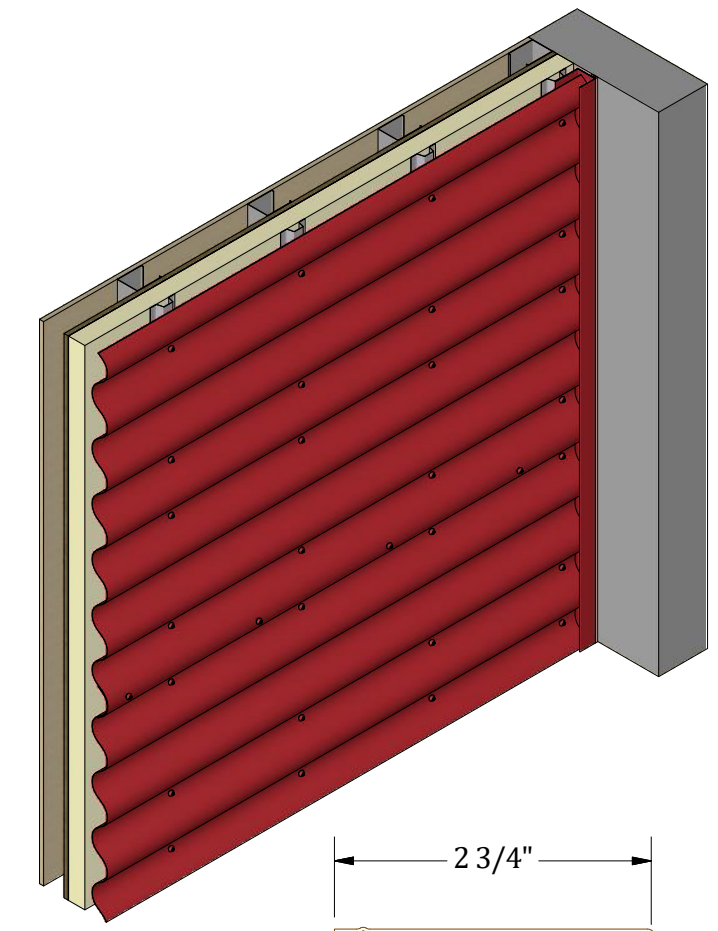
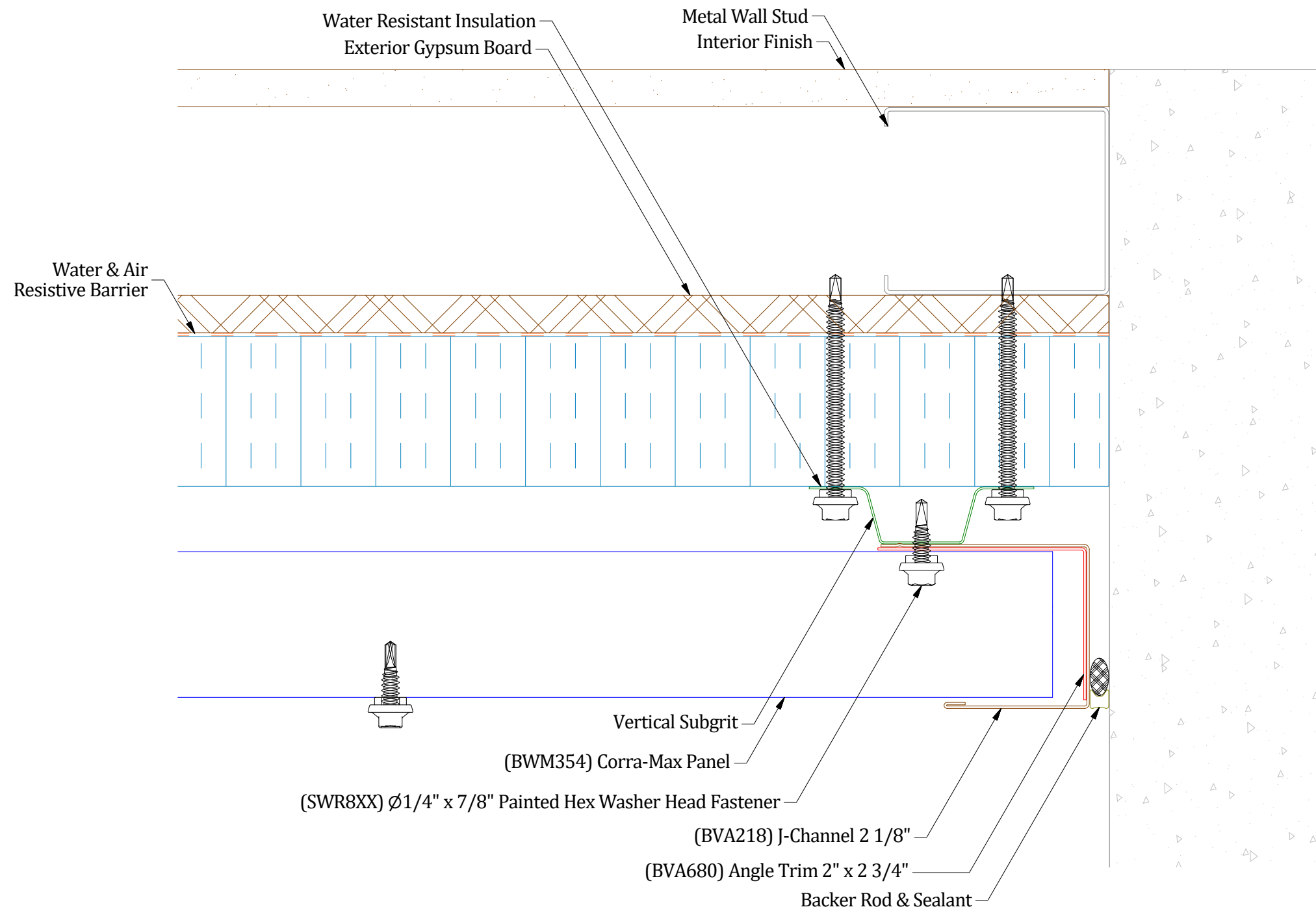
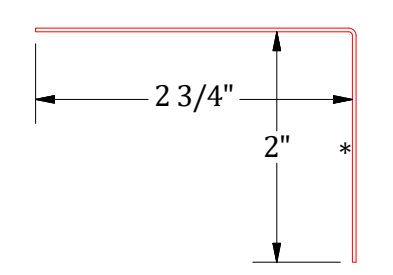


Horizontal Panel



(BVA218) J-Channel



(BVA680) Angle Trim

Notes:
1) * denotes color side.

ATAS International, Inc.
Sustainable Solutions For A Better Future
www.atas.com | info@atas.com
800.468.1441

REV. NO.		DATE	DESCRIPTION OF REVISION	BY	APP	DWG TITLE: Open Framing Endwall Detail	
0	1/12/2026	Initial Release		D.S.	M.L.P.	DWG No.:	
PANELS/PRODUCT: Corra-Max						DWG BY: M.L.P.	DWG DATE: 1/12/2026
						APP BY: D.S.	APP DATE: 1/14/2026
						SHEET SIZE: B	SCALE: X : X