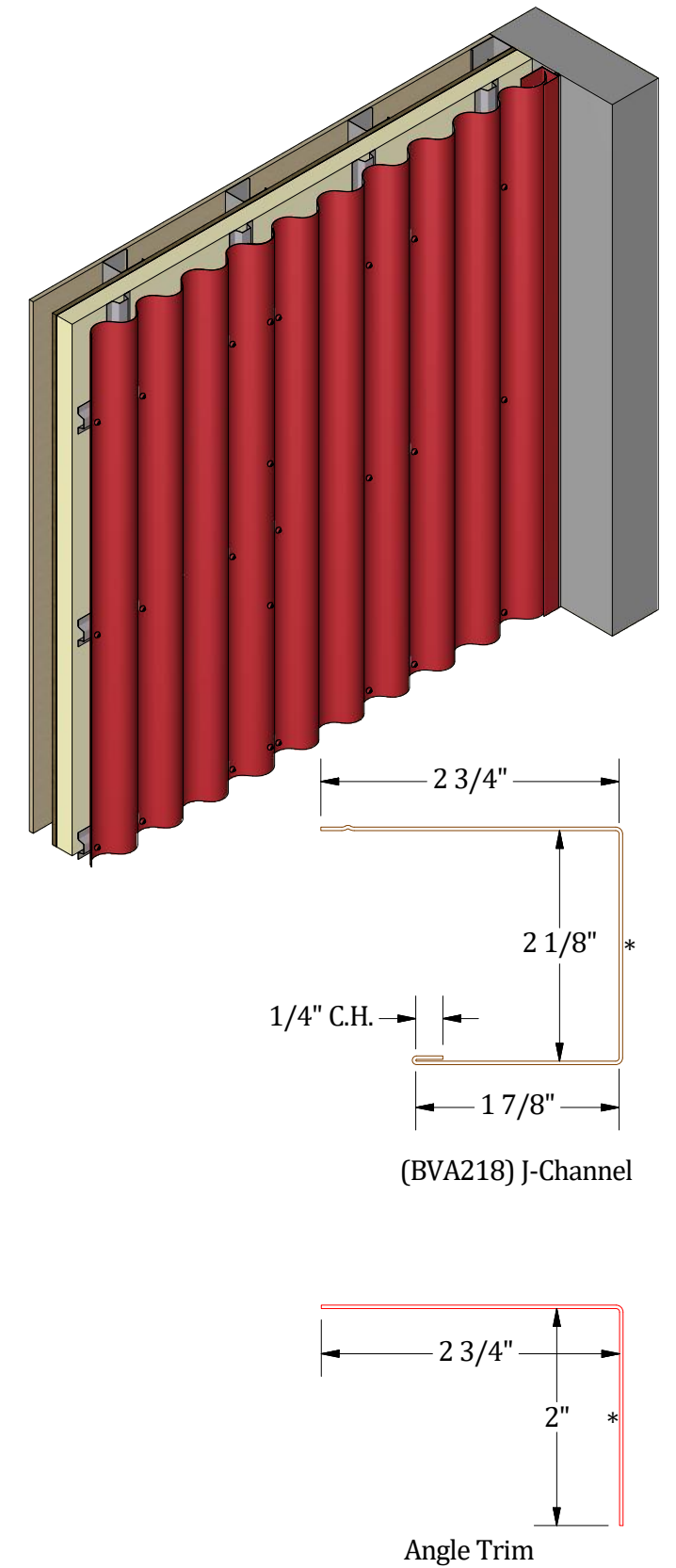
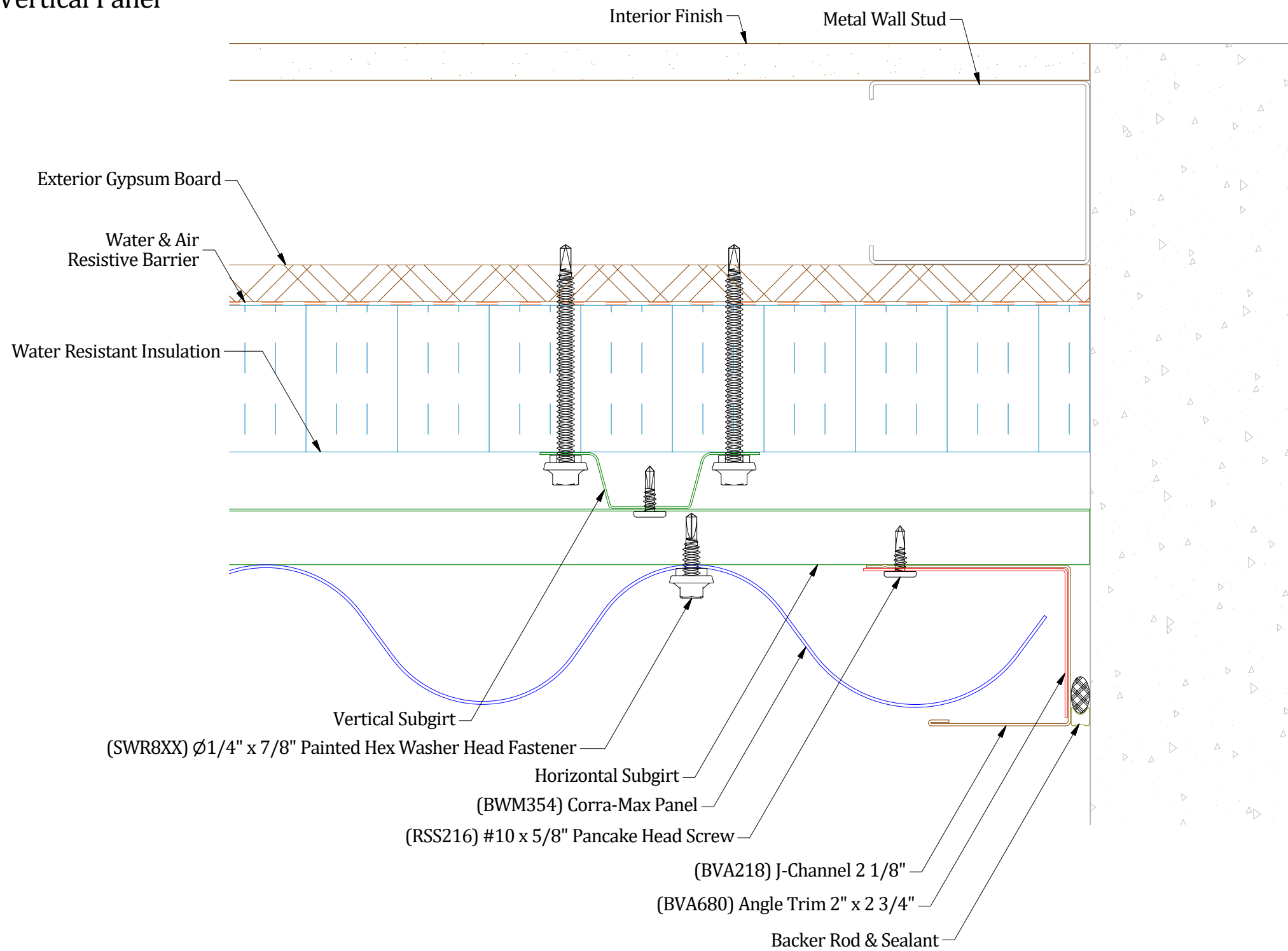


Vertical Panel



Notes:
1) * denotes color side.

ATAS International, Inc.
Sustainable Solutions For A Better Future
www.atas.com | info@atas.com
800.468.1441

REV. NO.	DATE	DESCRIPTION OF REVISION	BY	APP	DWG No.	DWG DATE:	DWG BY:	DWG DATE:
0	1/12/2026	Initial Release	D.S.	M.L.P.		1/12/2026	M.L.P.	1/12/2026
					PANELS/PRODUCT:		D.S.	1/14/2026
							B	X : X

Open Framing Endwall Detail

Corra-Max