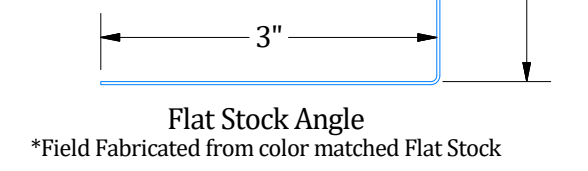
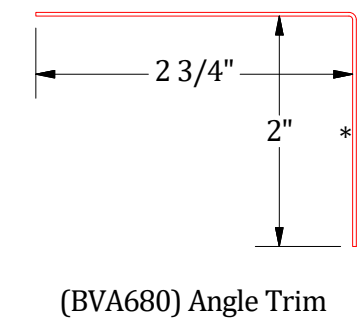
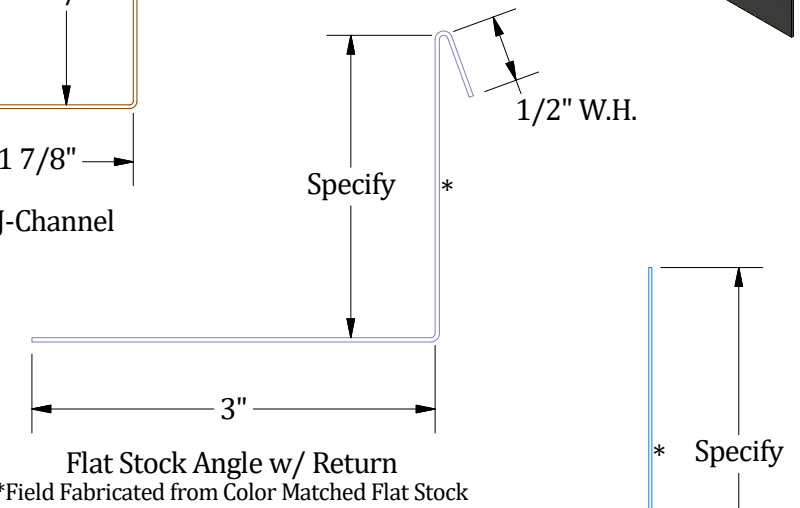
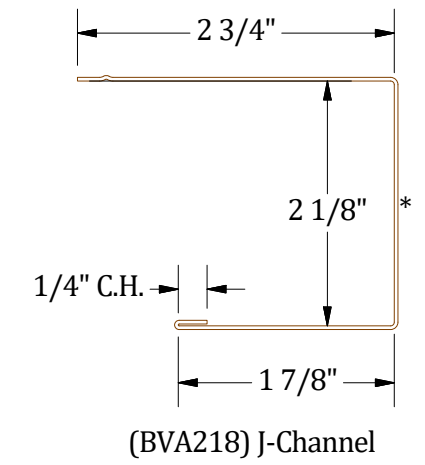
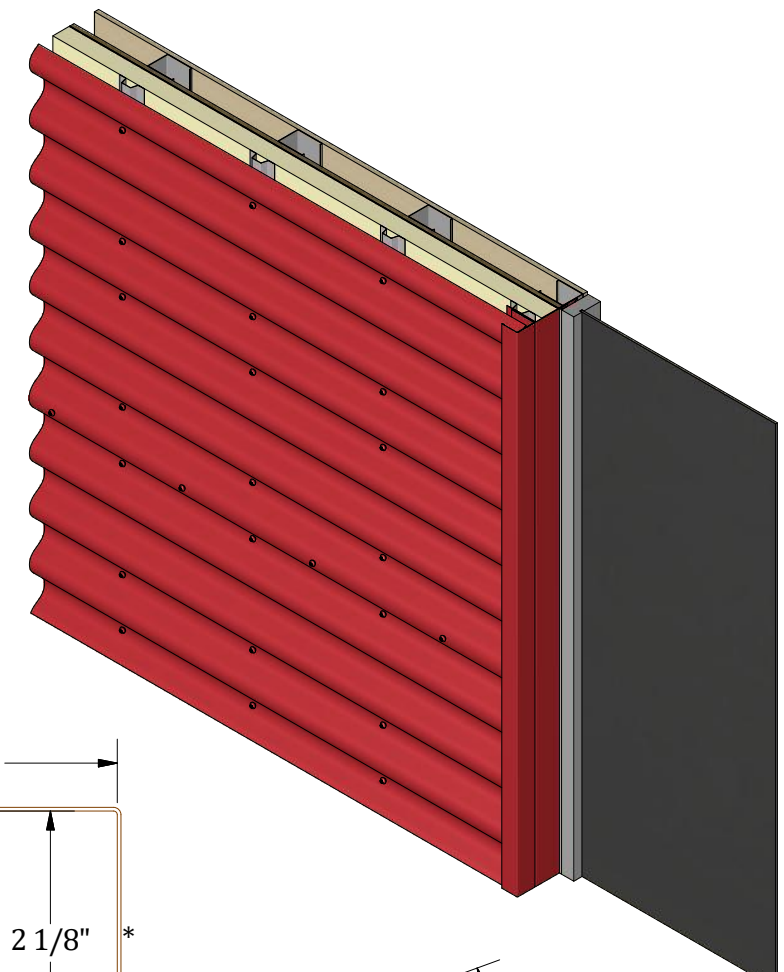
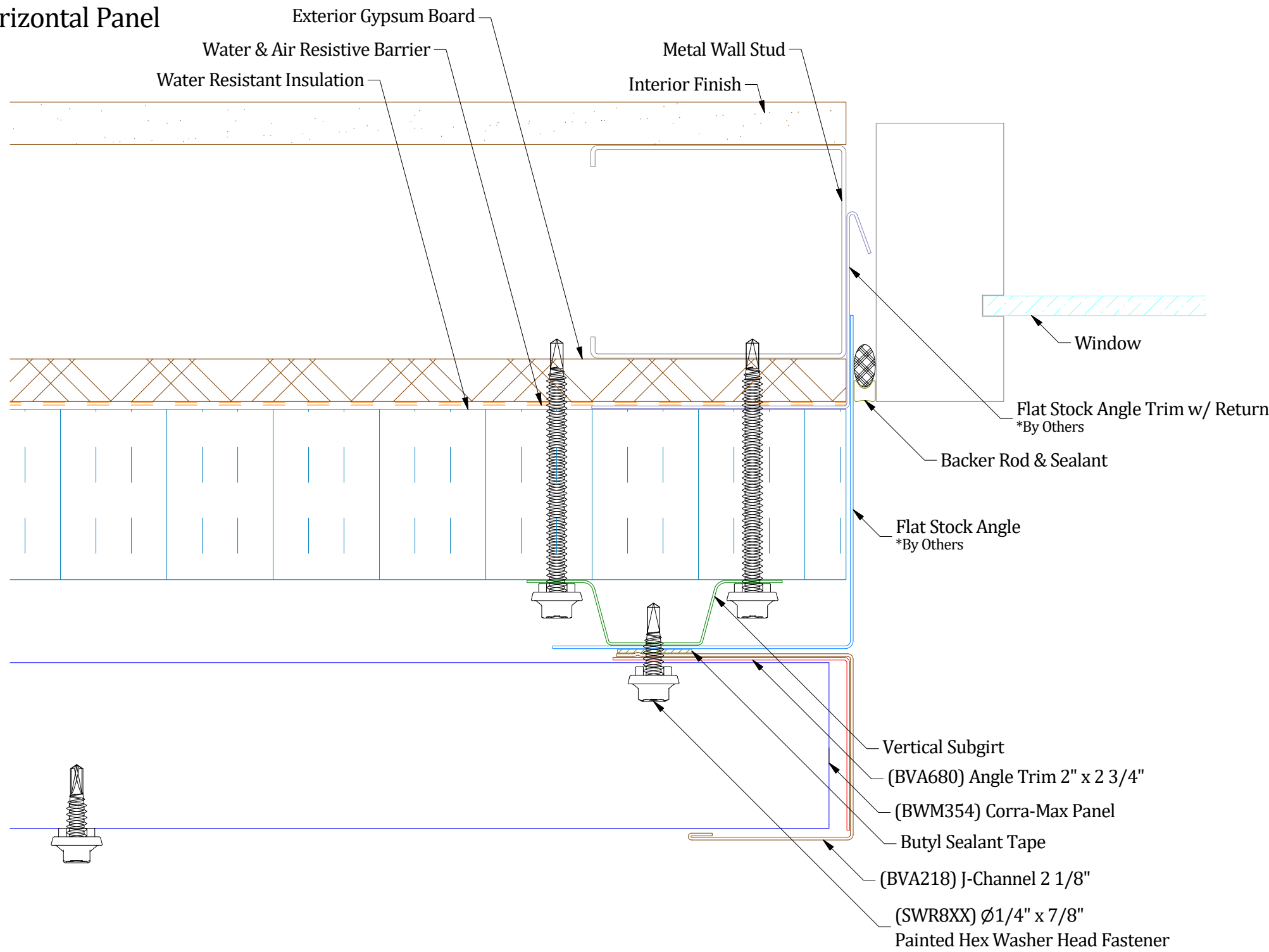


# Horizontal Panel



**Notes:**  
1) \* denotes color side.

**ATAS International, Inc.**  
Sustainable Solutions For A Better Future  
www.atas.com | info@atas.com  
800.468.1441

REV. NO.	DATE	DESCRIPTION OF REVISION	BY	APP	PANELS/PRODUCT:	SHEET SIZE:	SCALE:
0	1/12/2026	Initial Release	D.S.	M.L.P.	Corra-Max	B	X : X

DWG TITLE: **Open Framing Window Jamb Detail**

DWG No:	DWG DATE:
APP BY: M.L.P.	1/12/2026
APP BY: D.S.	APP DATE: 1/14/2026
SHEET SIZE: B	SCALE: X : X