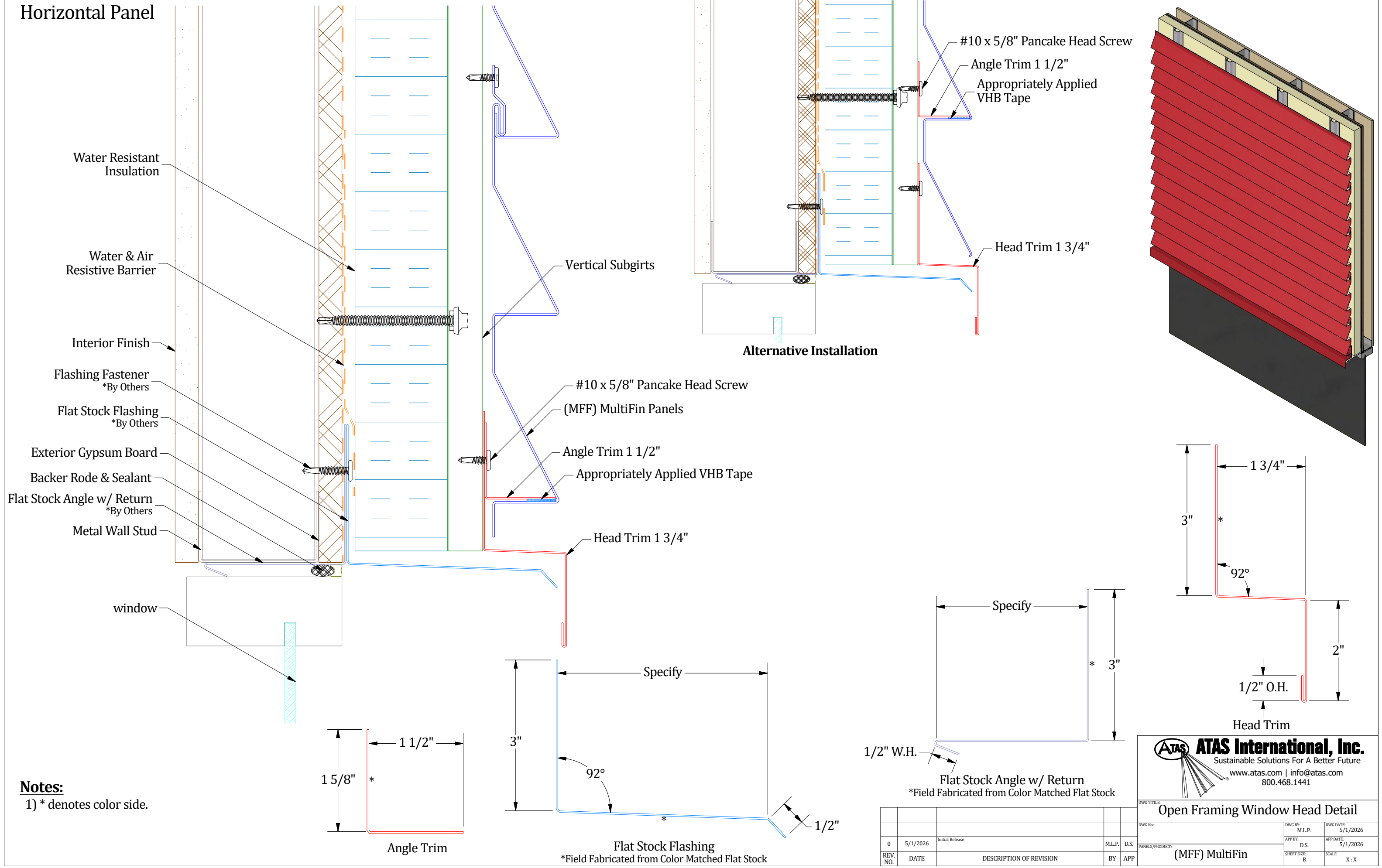


# Horizontal Panel



Water Resistant Insulation

Water & Air Resistive Barrier

Interior Finish

Flashing Fastener  
\*By Others

Flat Stock Flashing  
\*By Others

Exterior Gypsum Board

Backer Rode & Sealant

Flat Stock Angle w/ Return  
\*By Others

Metal Wall Stud

window

#10 x 5/8" Pancake Head Screw  
Angle Trim 1 1/2"  
Appropriately Applied VHB Tape

Head Trim 1 3/4"

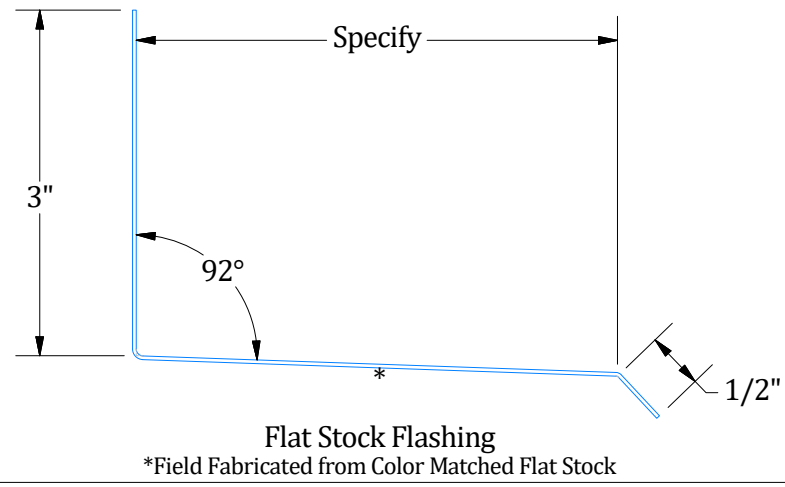
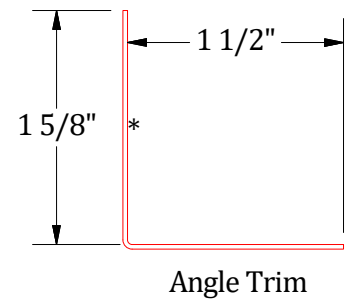
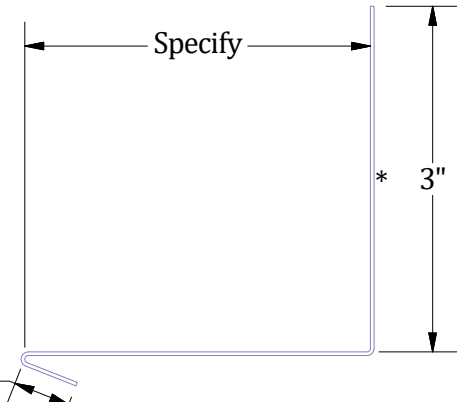
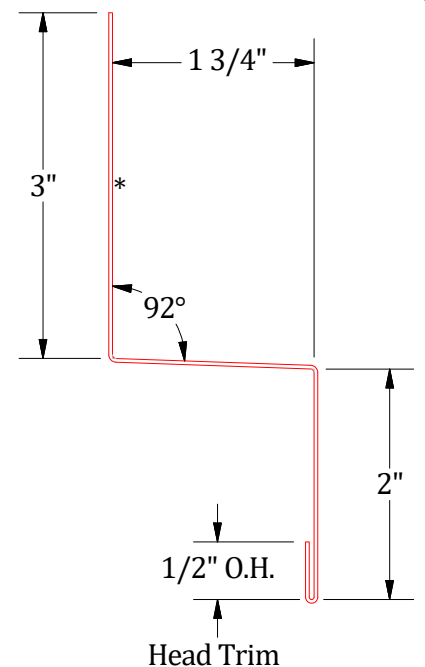
Alternative Installation

Vertical Subgirts

#10 x 5/8" Pancake Head Screw  
(MFF) MultiFin Panels

Angle Trim 1 1/2"  
Appropriately Applied VHB Tape

Head Trim 1 3/4"



**Notes:**  
1) \* denotes color side.

**ATAS International, Inc.**  
Sustainable Solutions For A Better Future  
www.atas.com | info@atas.com  
800.468.1441

DWG TITLE: **Open Framing Window Head Detail**

DWG No:	M.L.P.	DWG DATE:	5/1/2026
APP BY:	D.S.	APP DATE:	5/1/2026
SHEET SIZE:	B	SCALE:	X : X

PANELS/PRODUCT: **(MFF) MultiFin**

REV. NO.	DATE	DESCRIPTION OF REVISION	BY	APP
0	5/1/2026	Initial Release	M.L.P.	D.S.