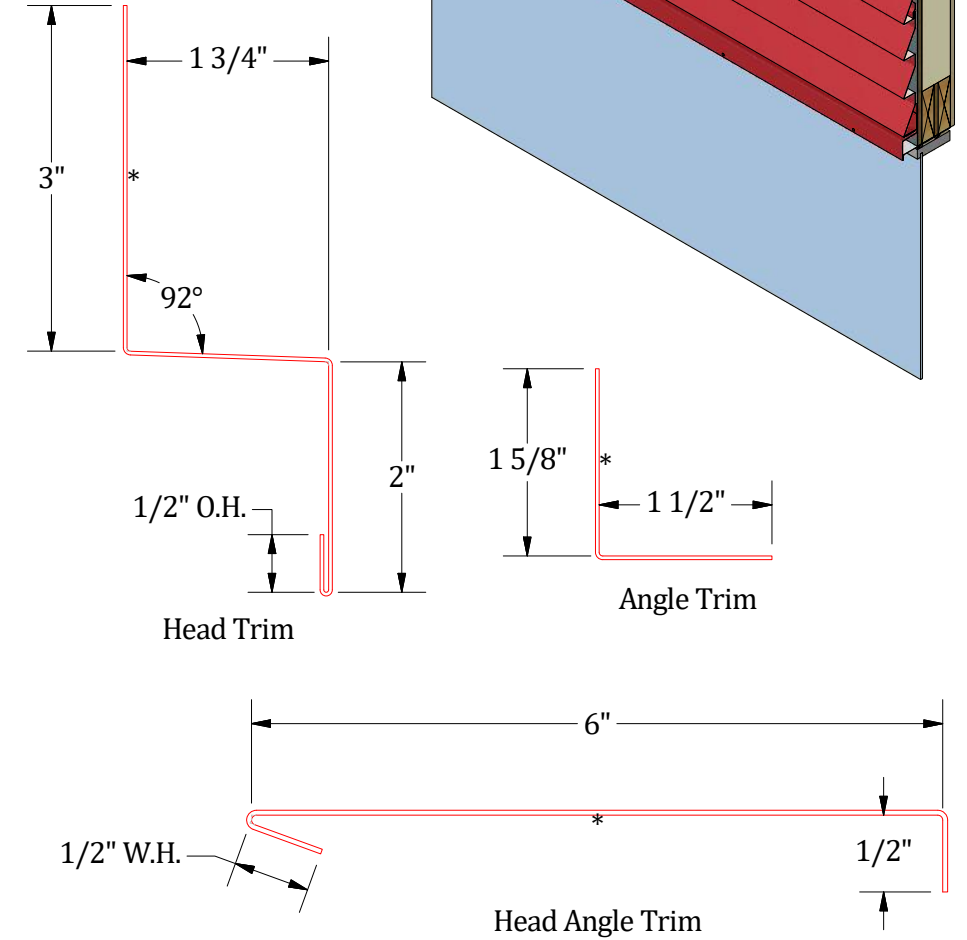
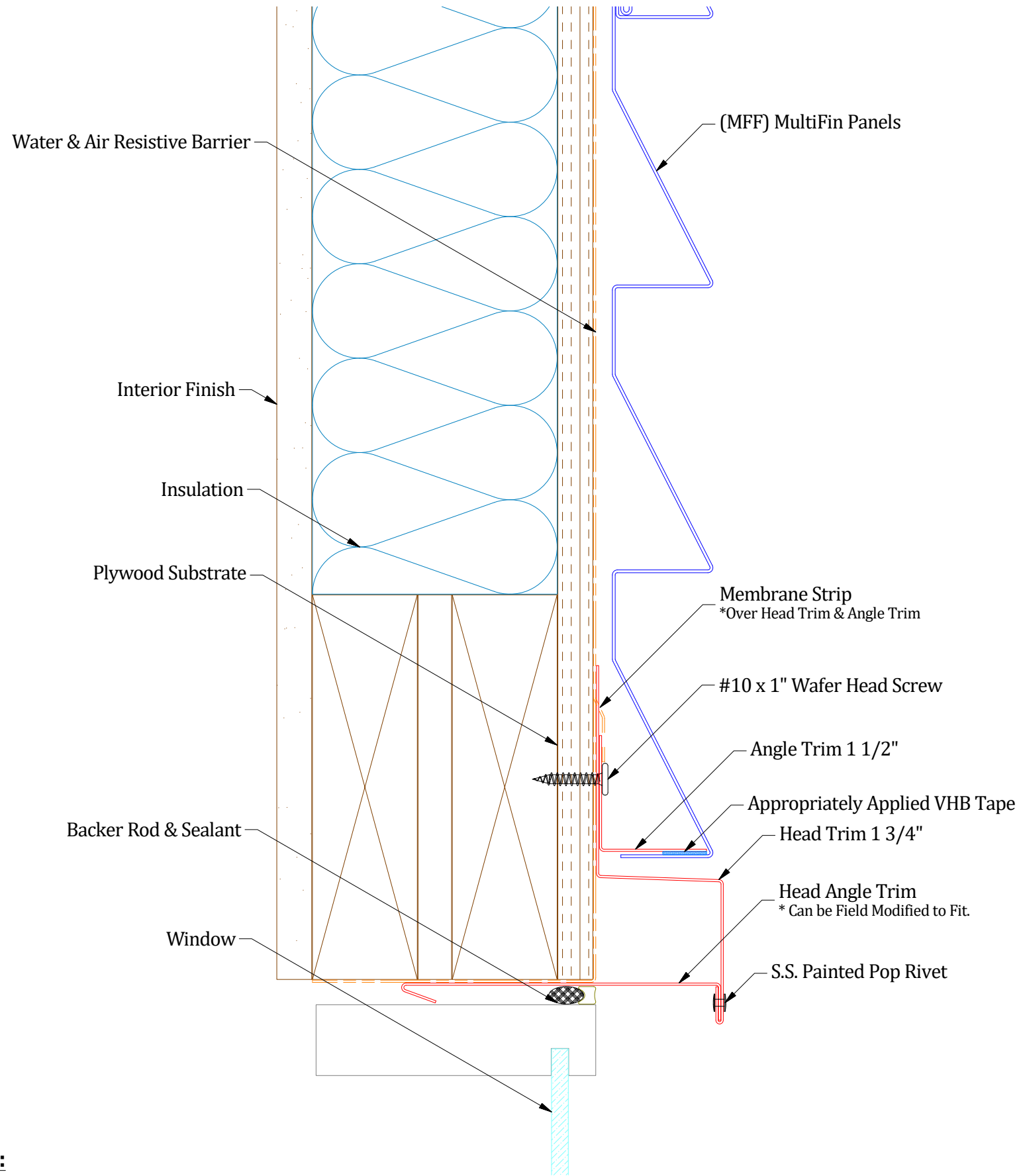


# Horizontal Panel



## Notes:

1) \* denotes color side.

**ATAS International, Inc.**  
Sustainable Solutions For A Better Future  
www.atas.com | info@atas.com  
800.468.1441

|  |           |                         |                        |
|--|-----------|-------------------------|------------------------|
| DWG TITLE:<br><b>Window Head Detail</b>  |           | DWG No.:                | DWG DATE:<br>4/30/2026 |
| 0  | 4/30/2026 | Initial Release         | M.L.P. D.S.            |
| REV. NO.                                 | DATE      | DESCRIPTION OF REVISION | BY APP                 |
| PANELS/PRODUCT:<br><b>(MFF) MultiFin</b> |           |                         | APP BY:<br>D.S.        |
|  |           |                         | APP DATE:<br>4/30/2026 |
|  |           |                         | SHEET SIZE:<br>B       |
|  |           |                         | SCALE:<br>X : X        |

|          |           |                         |        |      |
|----------|-----------|-------------------------|--------|------|
| 0        | 4/30/2026 | Initial Release         | M.L.P. | D.S. |
| REV. NO. | DATE      | DESCRIPTION OF REVISION | BY     | APP  |