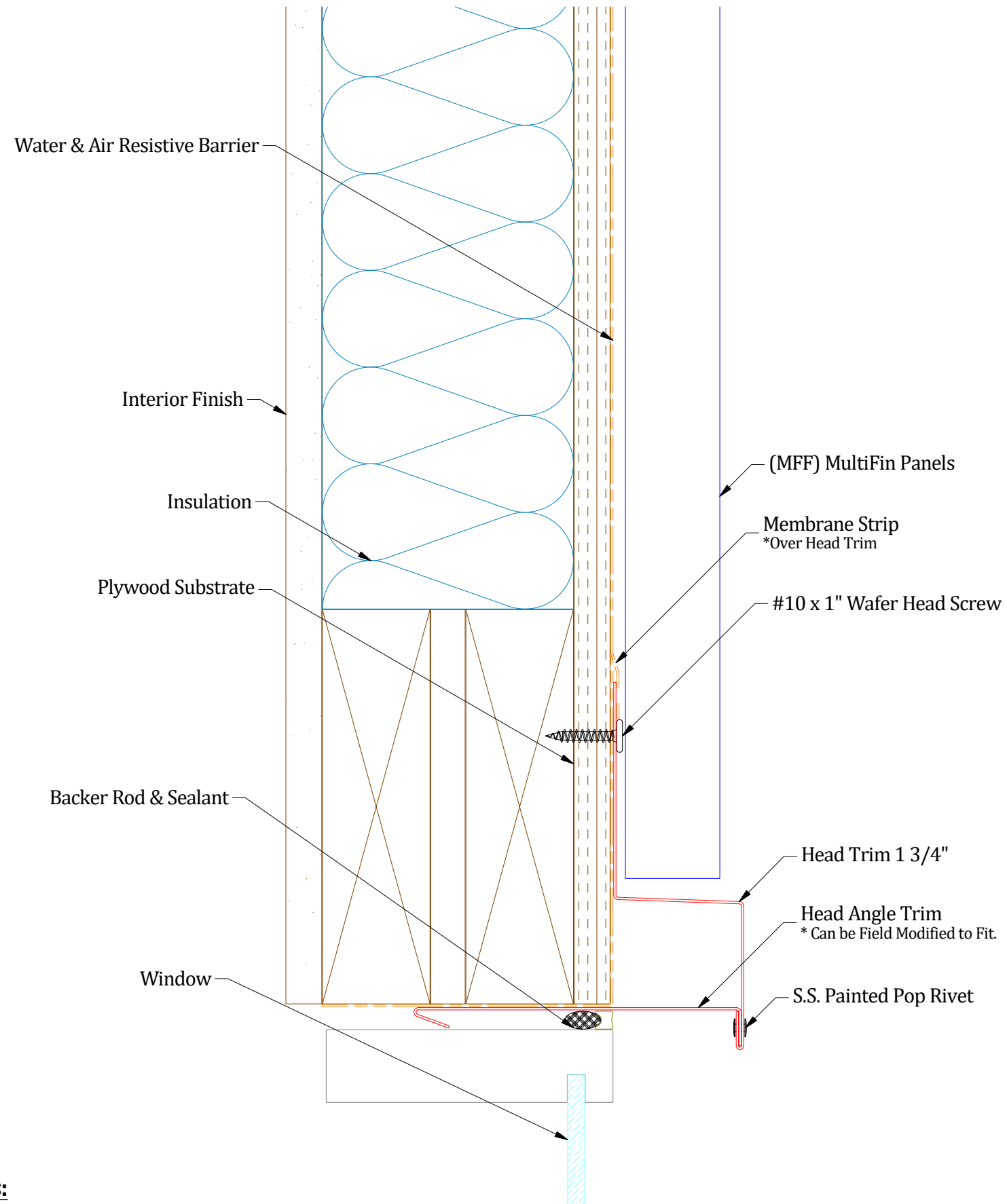
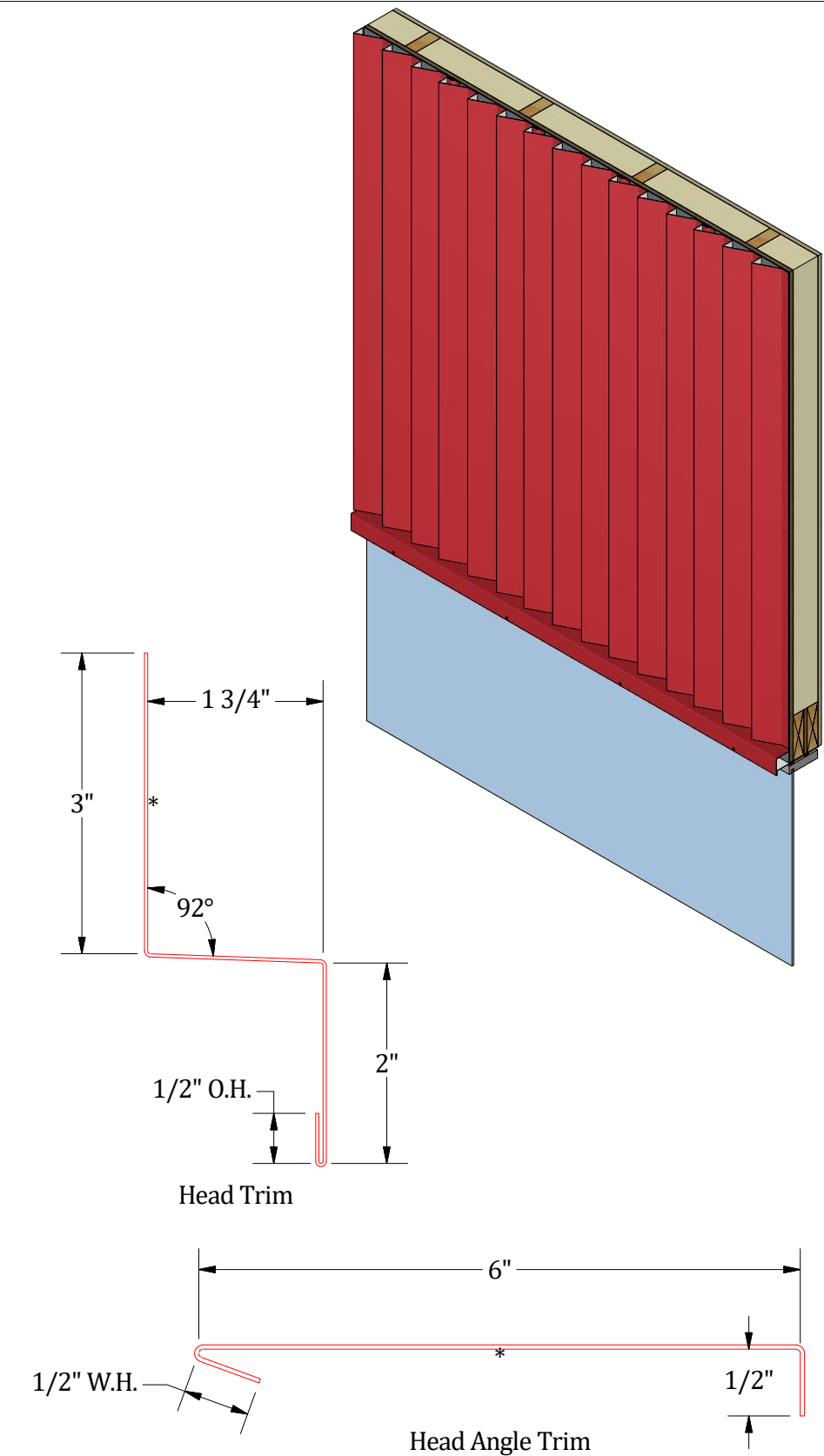


Vertical Panel



Notes:
1) * denotes color side.



ATAS International, Inc.
Sustainable Solutions For A Better Future
www.atas.com | info@atas.com
800.468.1441

REV. NO.	DATE	DESCRIPTION OF REVISION	BY	APP	PANELS/PRODUCT:	DWG No.	DWG DATE:	APP BY:	APP DATE:	SHEET SIZE:	SCALE:
0	4/30/2026	Initial Release	M.L.P.	D.S.	(MFF) MultiFin		4/30/2026	D.S.	4/30/2026	B	X : X