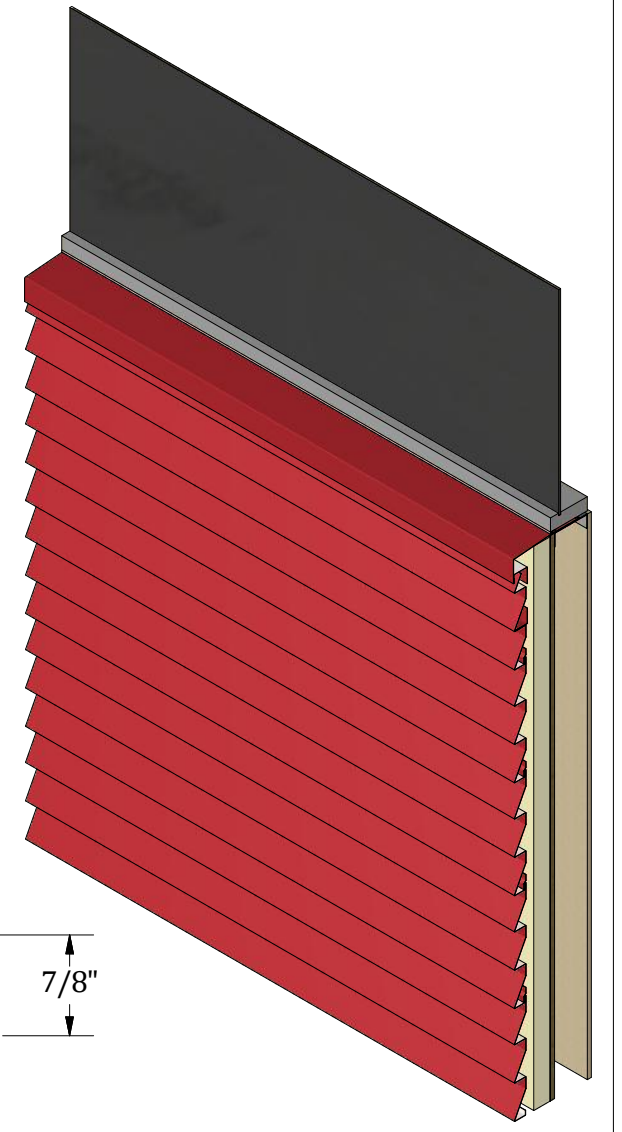
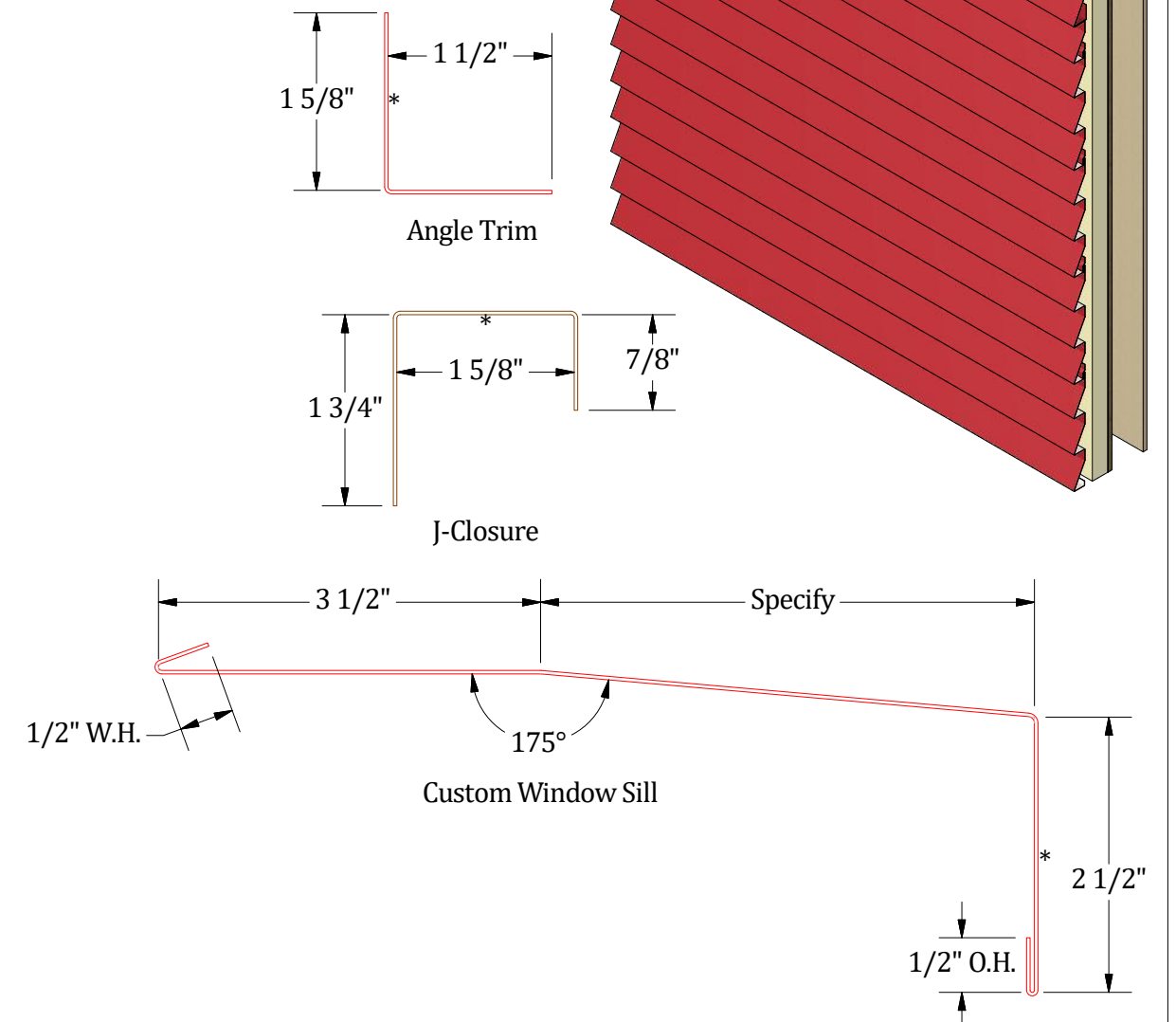
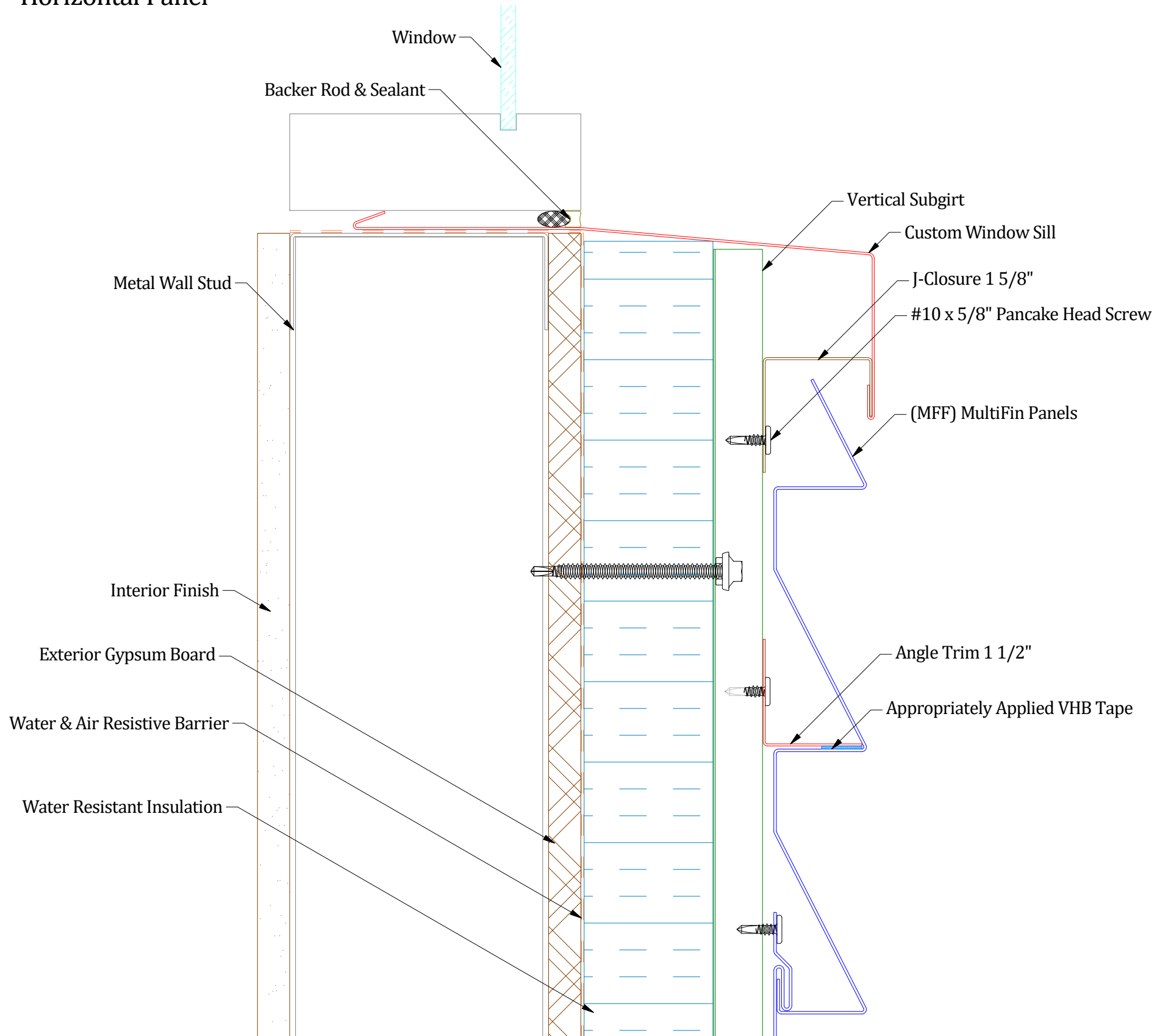


# Horizontal Panel



## Notes:

1) \* denotes color side.

**ATAS International, Inc.**  
 Sustainable Solutions For A Better Future  
 www.atas.com | info@atas.com  
 800.468.1441

DWG TITLE: <b>Open Framing Window Sill Detail</b>		DWG No.:		DWG DATE: 5/1/2026	
REV. NO.:		DATE:		BY:	
0	5/1/2026	Initial Release	M.L.P.	D.S.	
DESCRIPTION OF REVISION:		BY:		APP:	
PANELS/PRODUCT: <b>(MFF) MultiFin</b>		APP BY: D.S.		APP DATE: 5/1/2026	
SHEET SIZE: B		SCALE: X : X			