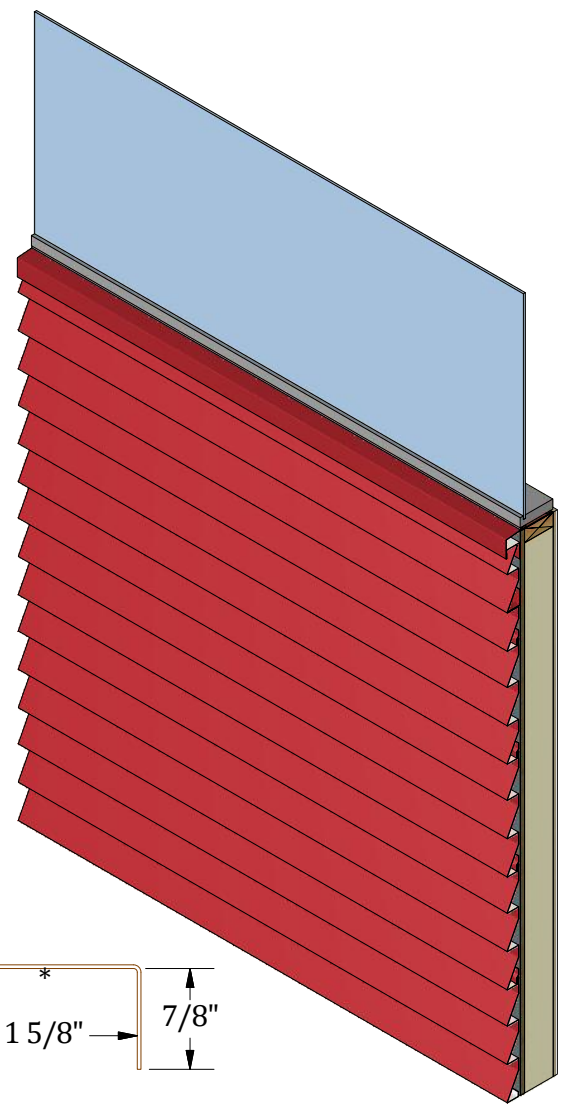
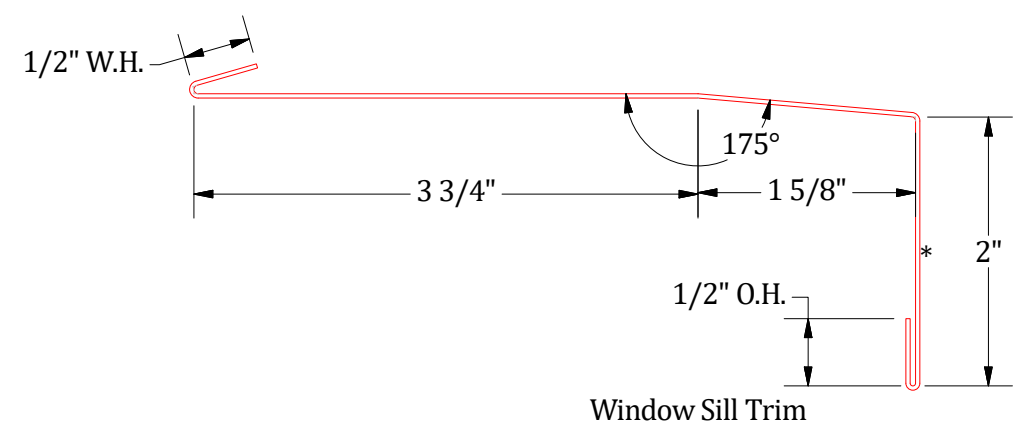
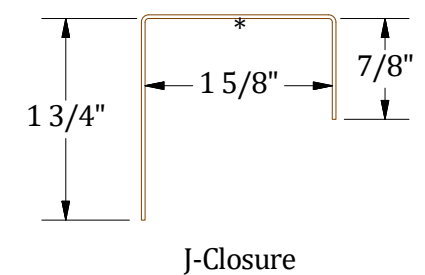
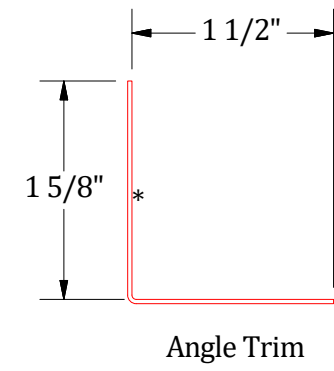
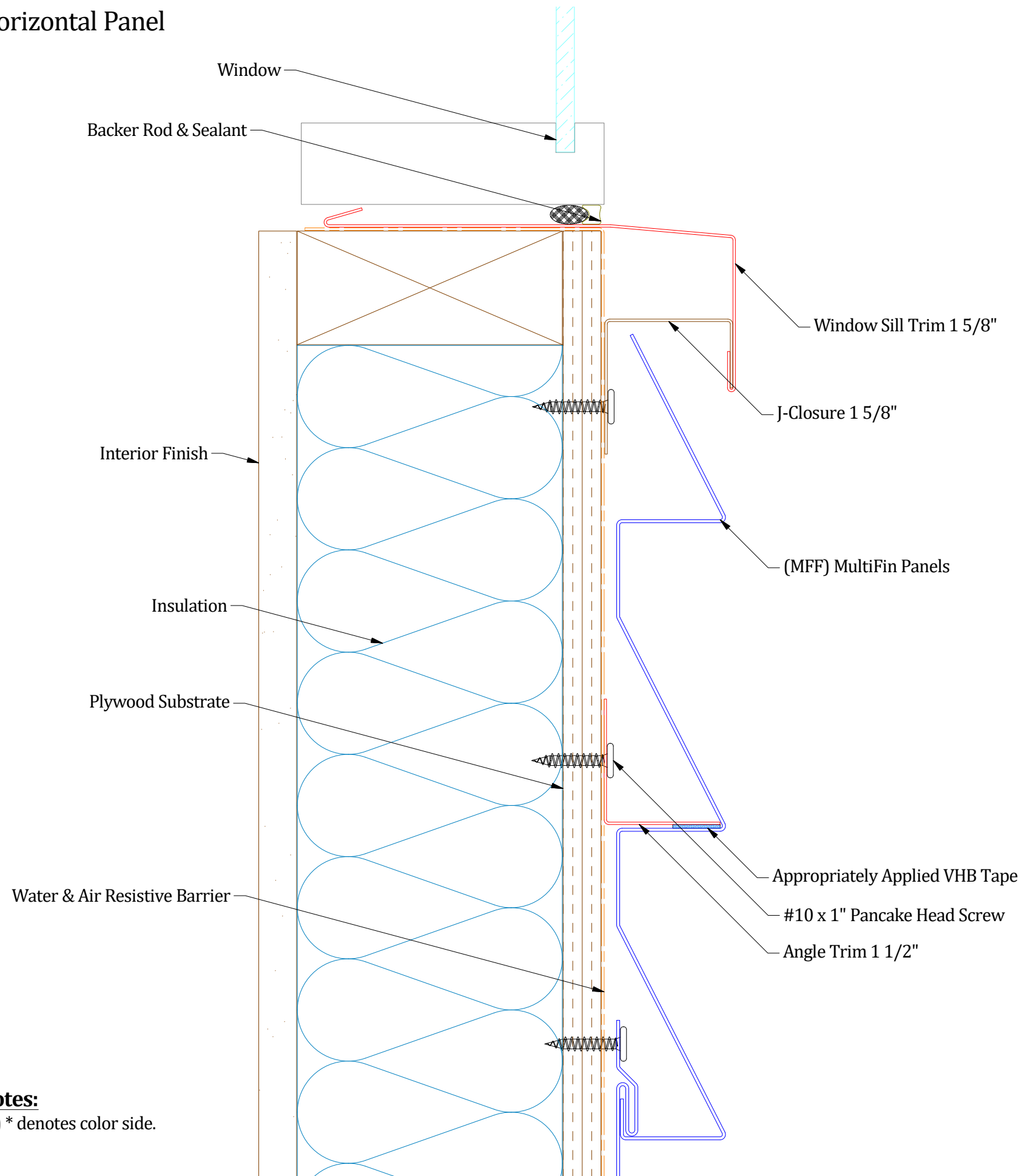


# Horizontal Panel



**Notes:**  
1) \* denotes color side.

**ATAS International, Inc.**  
Sustainable Solutions For A Better Future  
www.atas.com | info@atas.com  
800.468.1441

REV. NO.	DATE	DESCRIPTION OF REVISION	BY	APP	DWG TITLE:	DWG No:	DWG DATE:	DWG BY:	DWG DATE:	
0	4/30/2026	Initial Release	M.L.P.	D.S.	Window Sill Detail	(MFF) MultiFin	4/30/2026	M.L.P.	4/30/2026	
							D.S.	4/30/2026	D.S.	4/30/2026
							B	X : X		