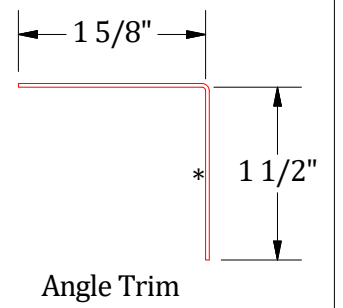
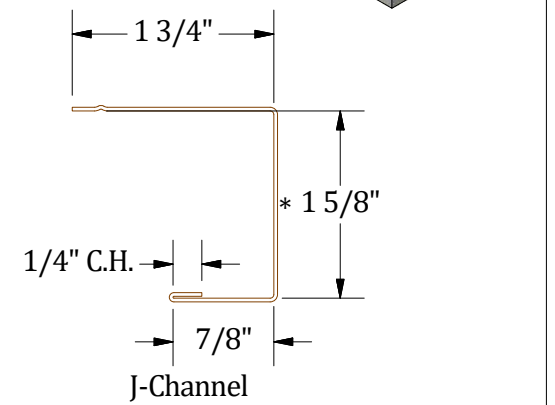
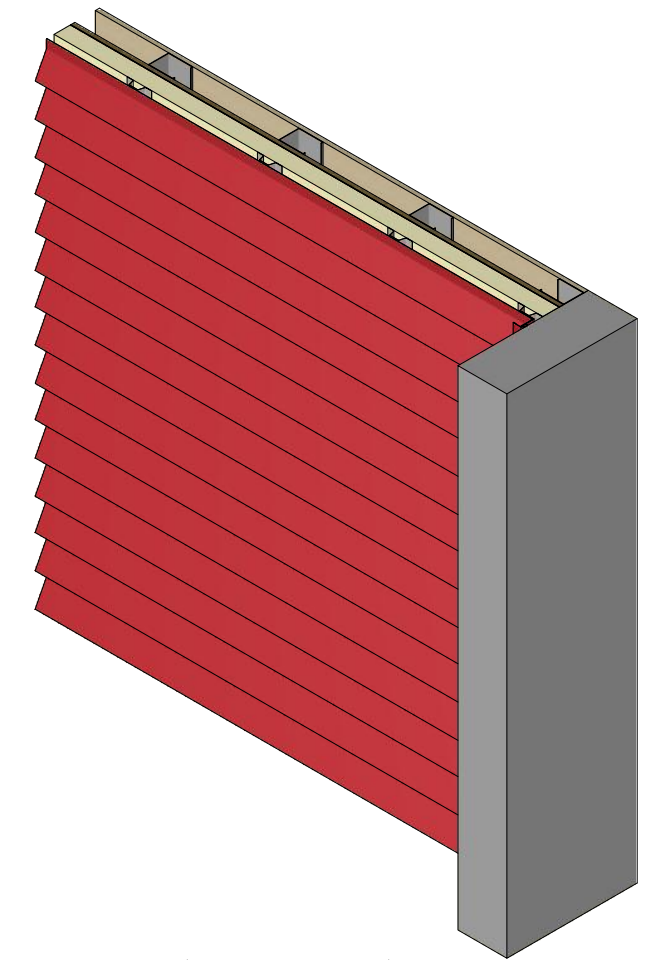
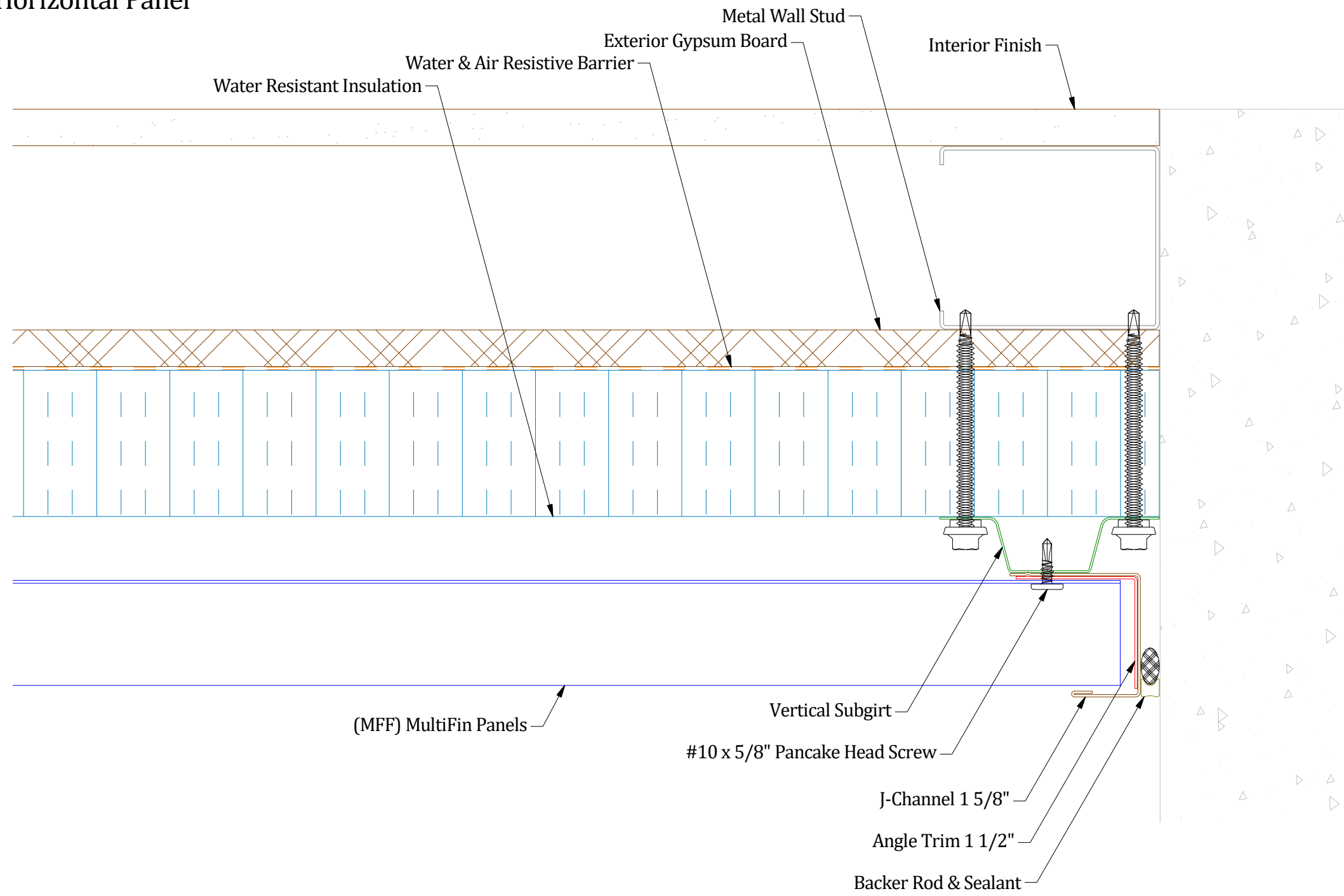


# Horizontal Panel



**Notes:**  
1) \* denotes color side.

**ATAS International, Inc.**  
Sustainable Solutions For A Better Future  
www.atas.com | info@atas.com  
800.468.1441

DWG TITLE: <b>Open Framing Endwall Detail</b>		DWG No.:		DWG BY: M.L.P.	DWG DATE: 5/1/2026
REV. NO.	DATE	DESCRIPTION OF REVISION	BY	APP	SCALE: X : X
0	5/1/2026	Initial Release	M.L.P.	D.S.	
PANELS/PRODUCT: <b>(MFF) MultiFin</b>			APP BY: D.S.	APP DATE: 5/1/2026	