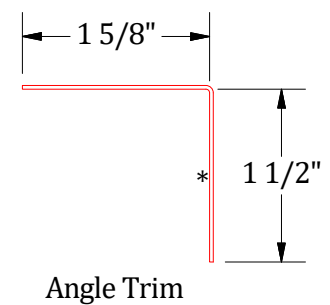
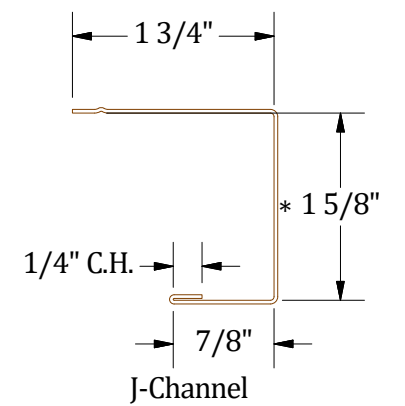
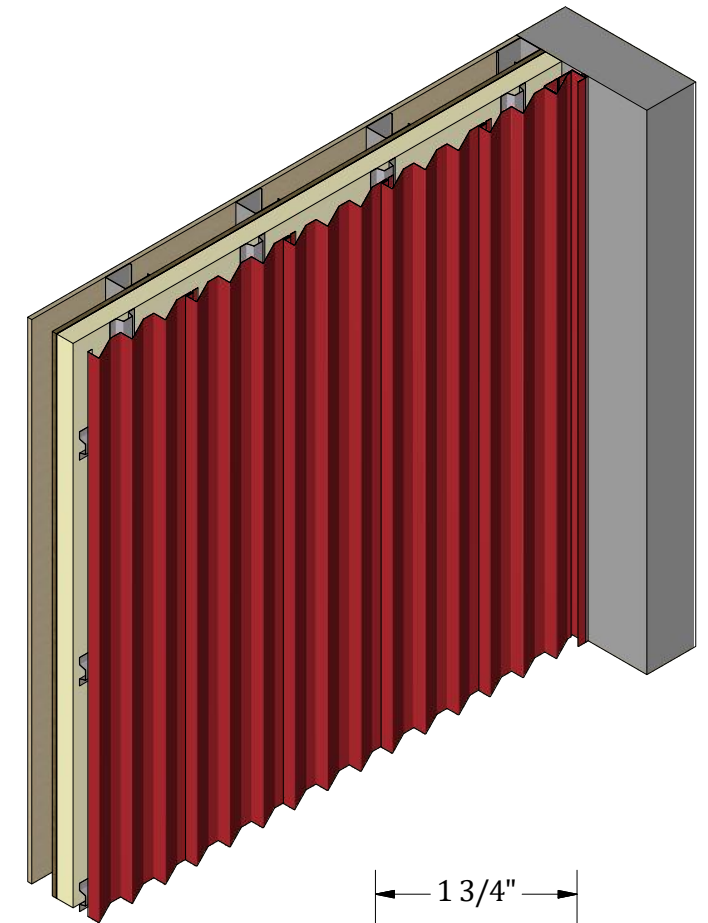
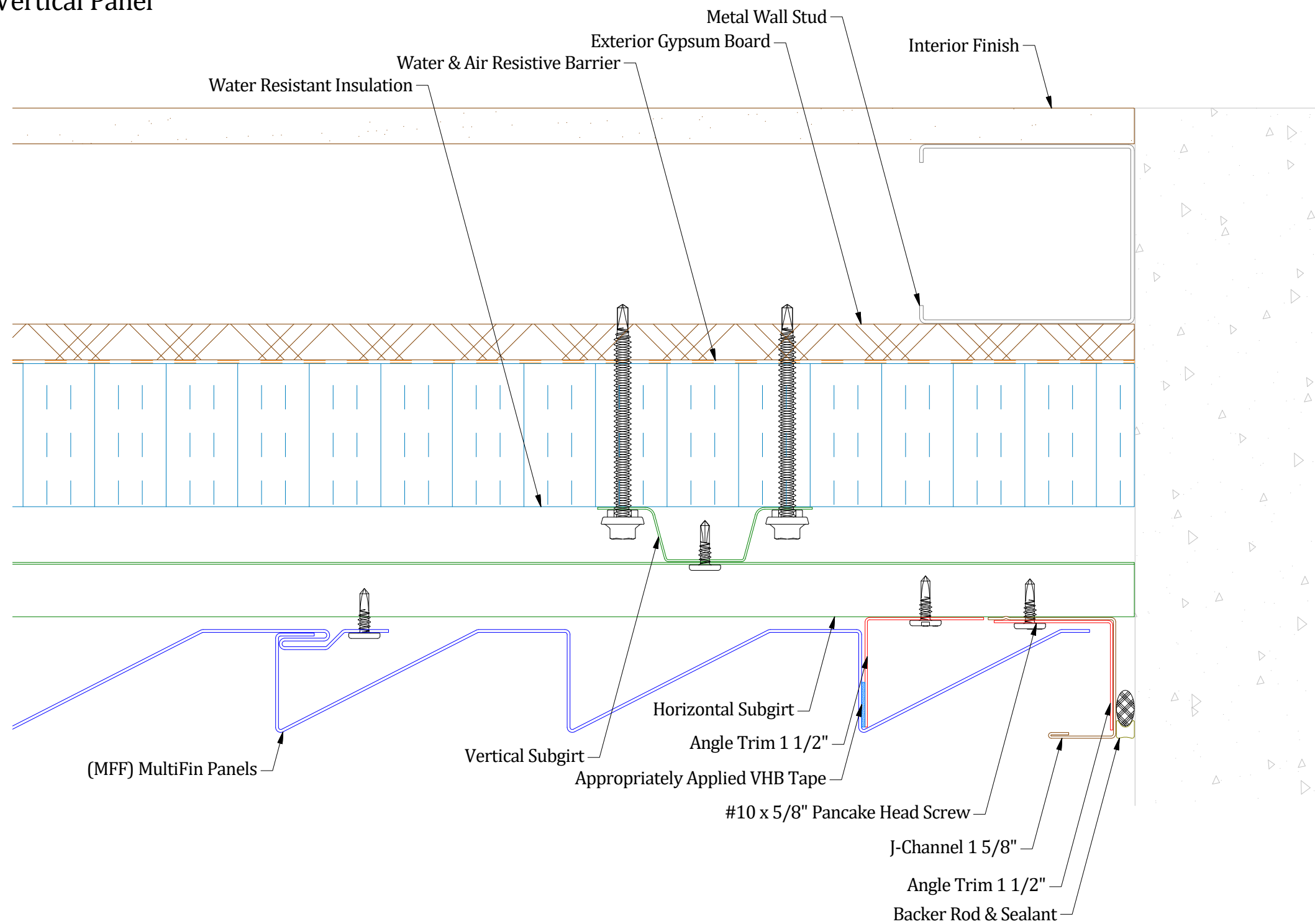


Vertical Panel



Notes:
1) * denotes color side.

ATAS International, Inc.
Sustainable Solutions For A Better Future
www.atas.com | info@atas.com
800.468.1441

REV. NO.		DATE	DESCRIPTION OF REVISION	BY	APP	DWG TITLE:	
0	5/1/2026	Initial Release		M.L.P.	D.S.	Open Framing Endwall Detail	
DWG No.						DWG BY:	DWG DATE:
PANELS/PRODUCT:						APP BY:	APP DATE:
(MFF) MutliFin						SHEET SIZE:	SCALE:
						B	X : X