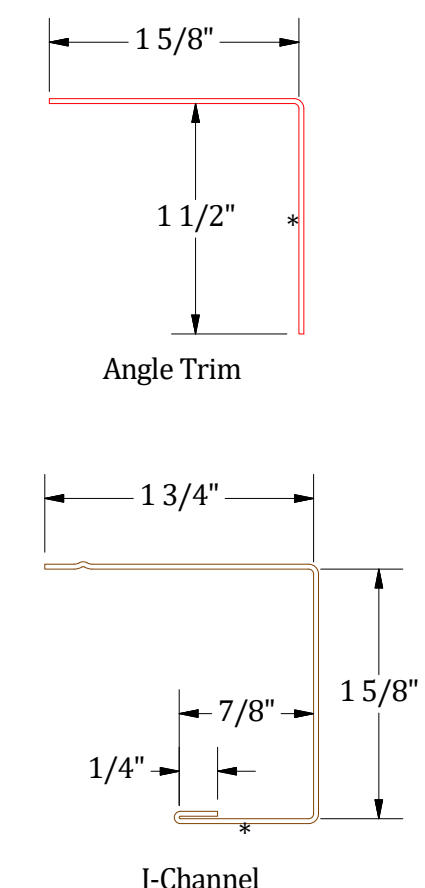
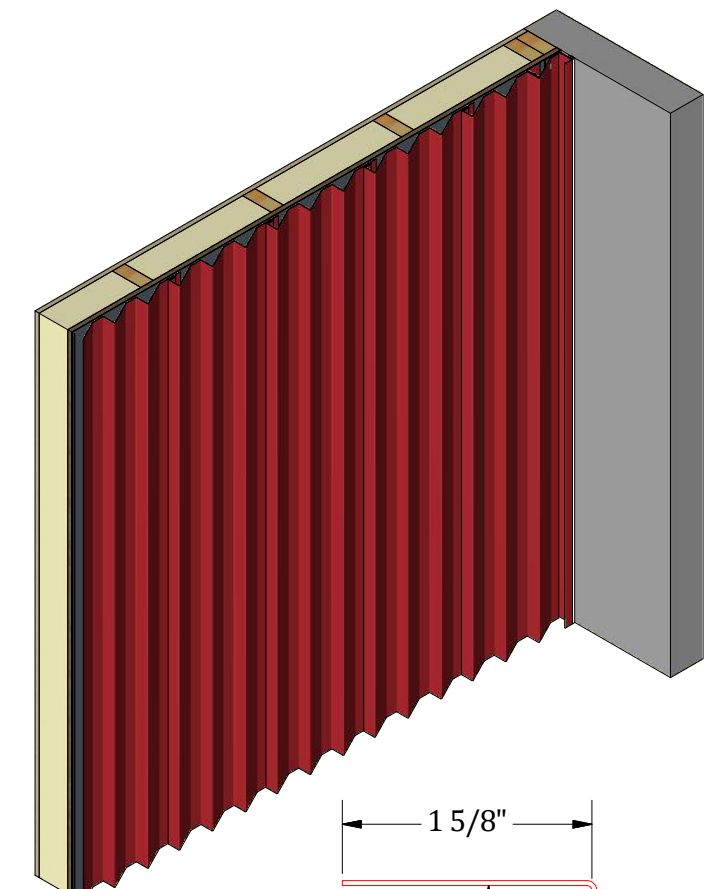
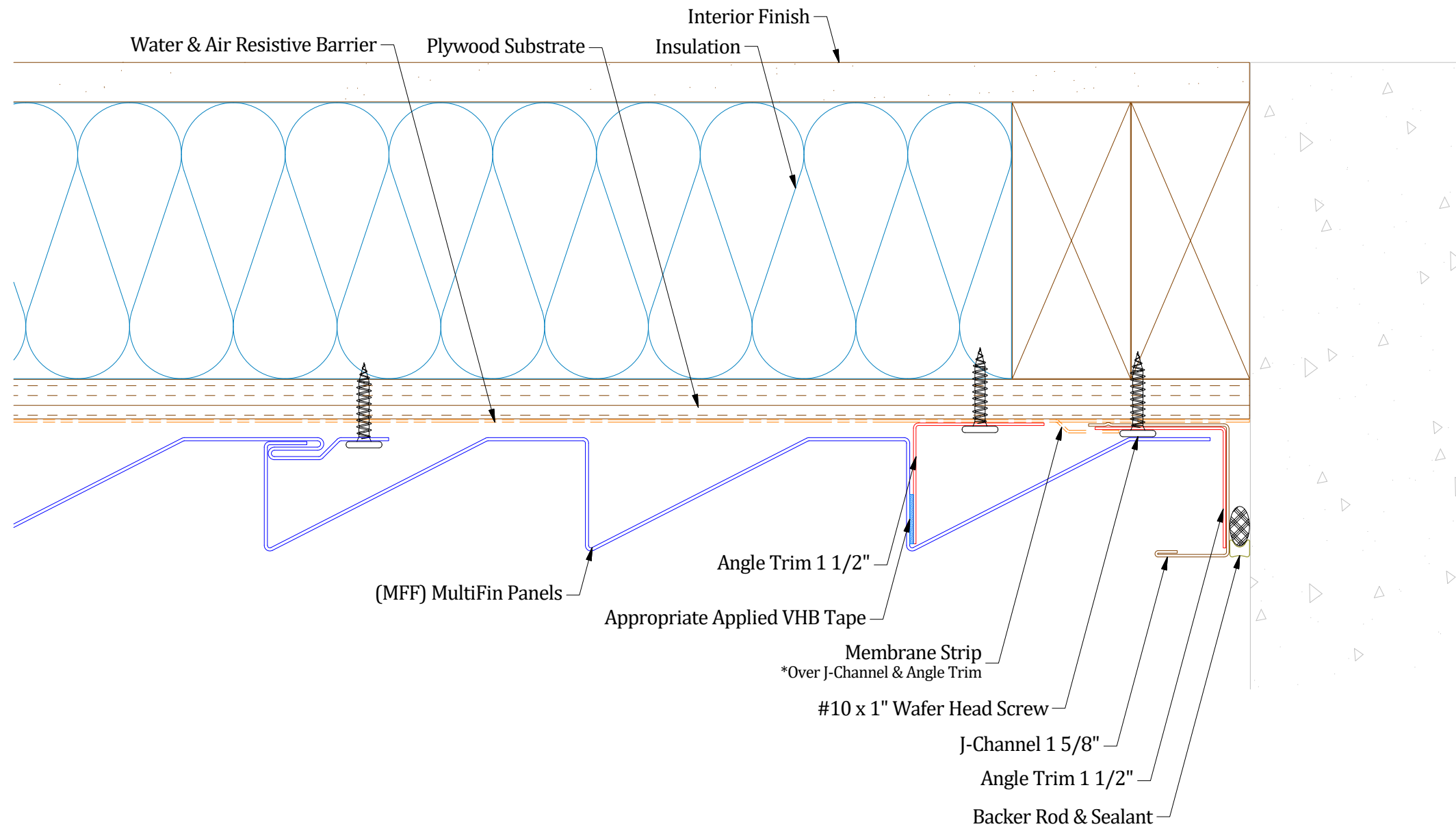


# Vertical Panel



**Notes:**  
1) \* denotes color side.

**ATAS International, Inc.**  
Sustainable Solutions For A Better Future  
www.atas.com | info@atas.com  
800.468.1441

REV. NO.		DATE	DESCRIPTION OF REVISION	BY	APP	DWG TITLE: <b>Endwall Detail</b>	
0	4/30/2026	Initial Release		M.L.P.	D.S.	DWG No.:	
						DWG DATE: 4/30/2026	
						DWG BY: M.L.P.	
						APP BY: D.S.	
						APP DATE: 4/30/2026	
						DWG TITLE: <b>(MFF) MultiFin</b>	
						SHEET SIZE: B	
						SCALE: X : X	