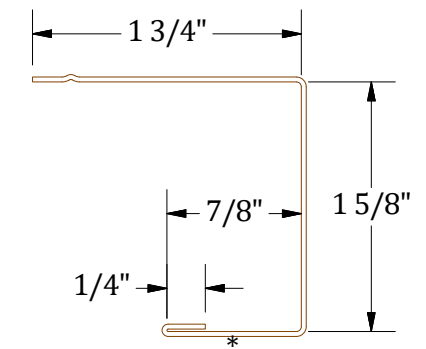
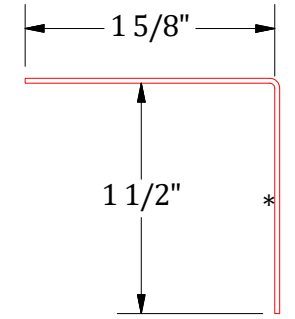
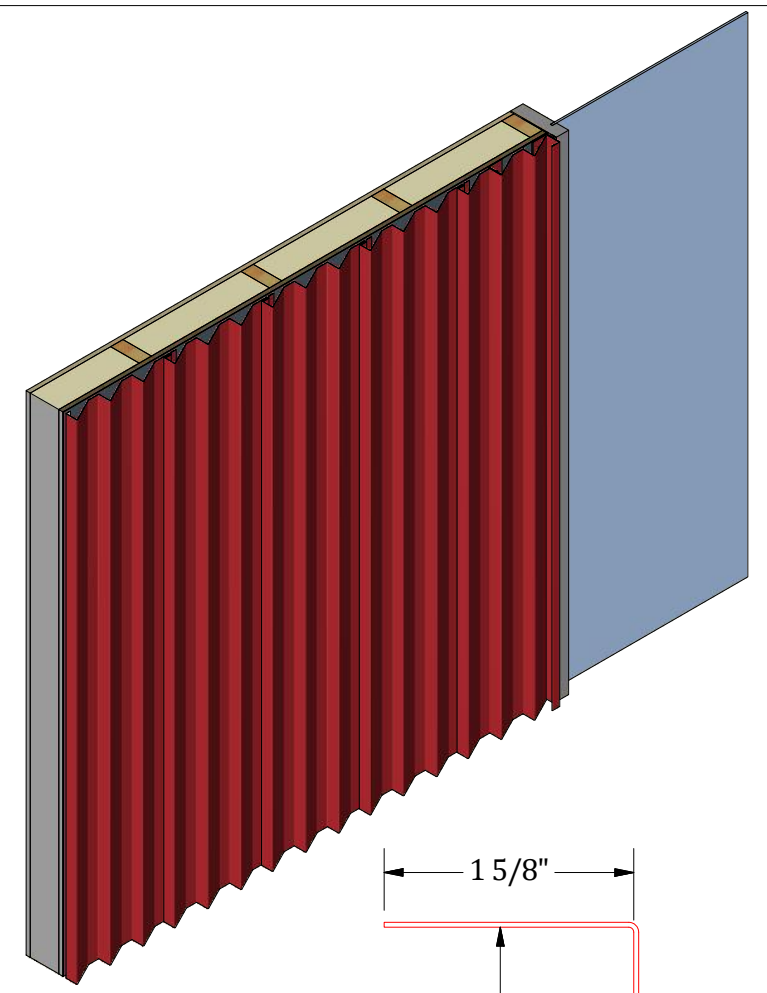
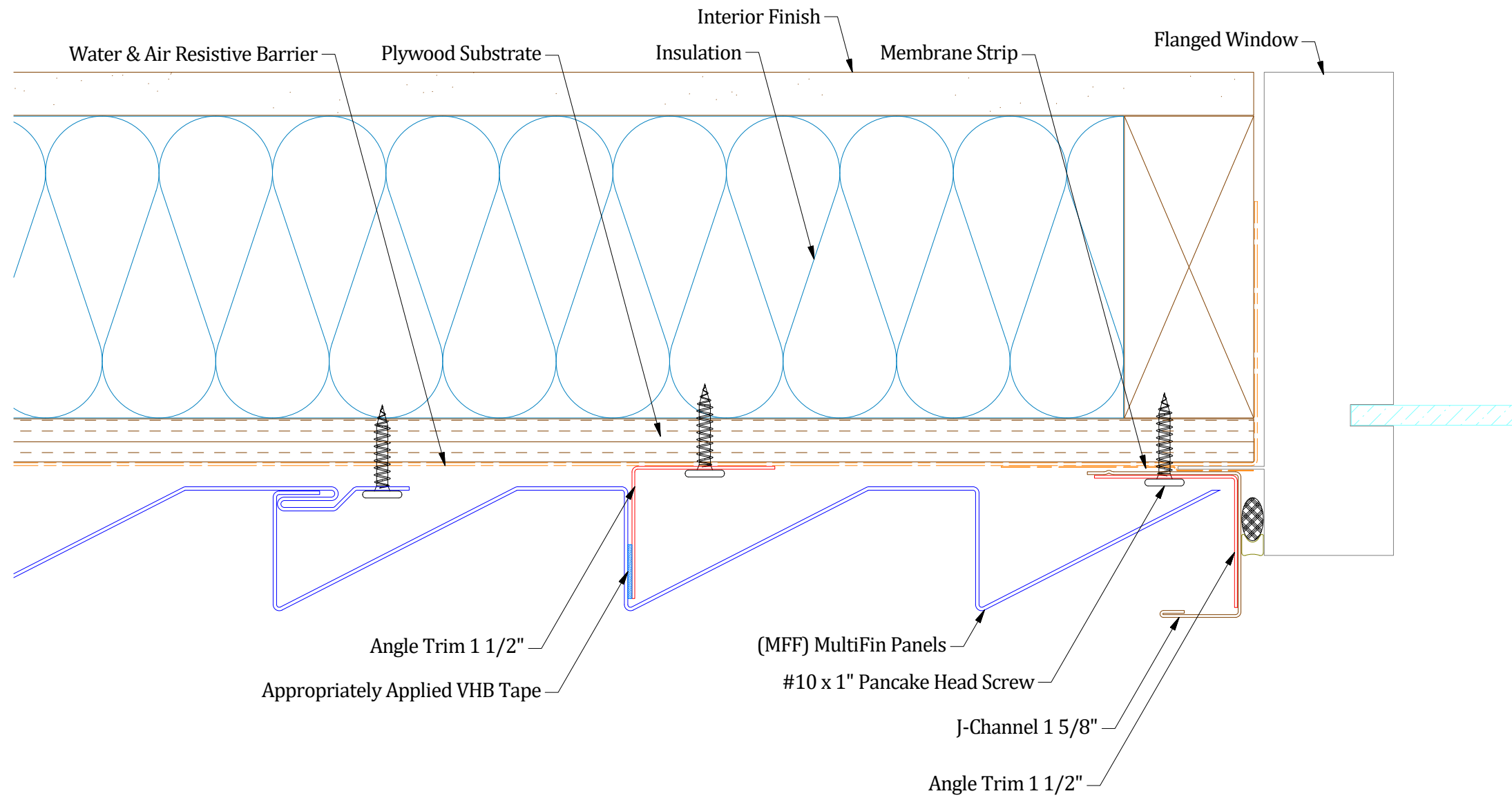


# Vertical Panel



**Notes:**  
1) \* denotes color side.

**ATAS International, Inc.**  
Sustainable Solutions For A Better Future  
www.atas.com | info@atas.com  
800.468.1441

DWG TITLE: <b>Flanged Window Jamb Detail</b>		DWG No.:		DWG DATE: 4/30/2026	
REV. NO.:		DATE:		BY:	
0	4/30/2026	Initial Release	M.L.P.	D.S.	
DESCRIPTION OF REVISION:		BY:		APP:	
PANELS/PRODUCT: <b>(MFF) MultiFin</b>		SHEET SIZE: B		SCALE: X : X	