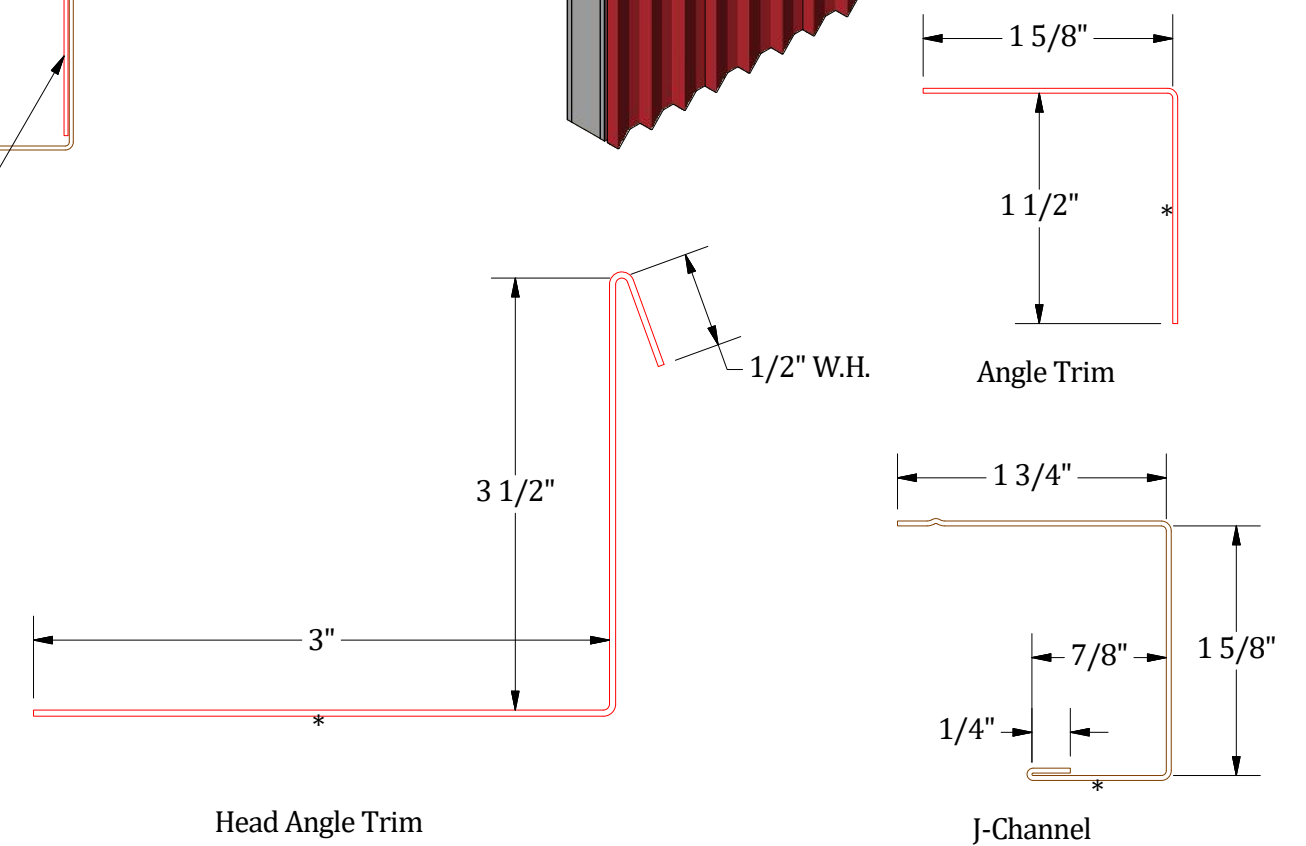
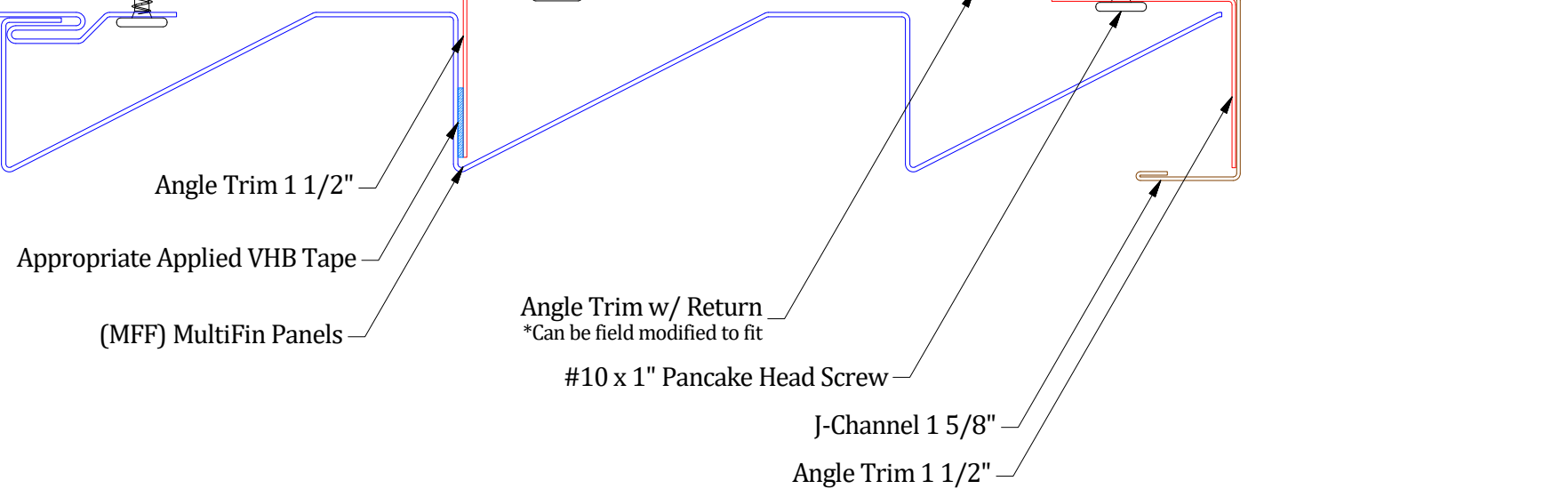
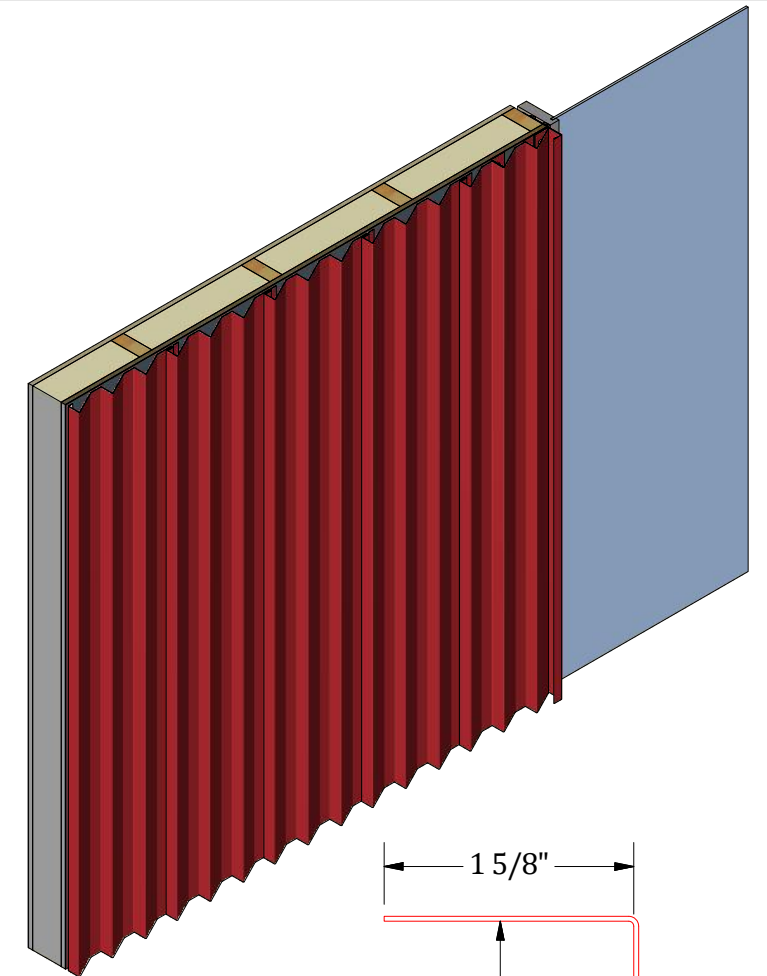
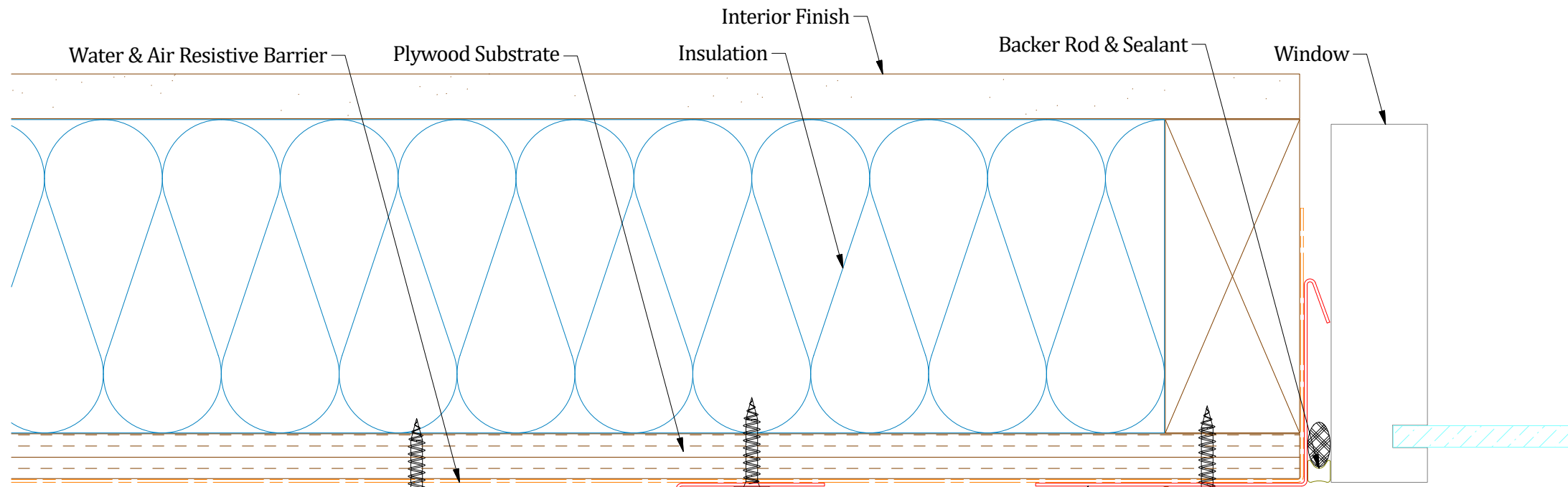


Vertical Panel



Notes:
1) * denotes color side.

ATAS International, Inc.
Sustainable Solutions For A Better Future
www.atas.com | info@atas.com
800.468.1441

REV. NO.		DATE	DESCRIPTION OF REVISION	BY	APP	DWG TITLE	
0	4/30/2026	Initial Release		M.L.P.	D.S.	Window Jamb Detail	
PANELS/PRODUCT: (MFF) MultiFin						DWG BY: M.L.P.	DWG DATE: 4/30/2026
						APP BY: D.S.	APP DATE: 4/30/2026
						SHEET SIZE: B	SCALE: X : X